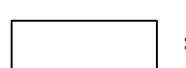


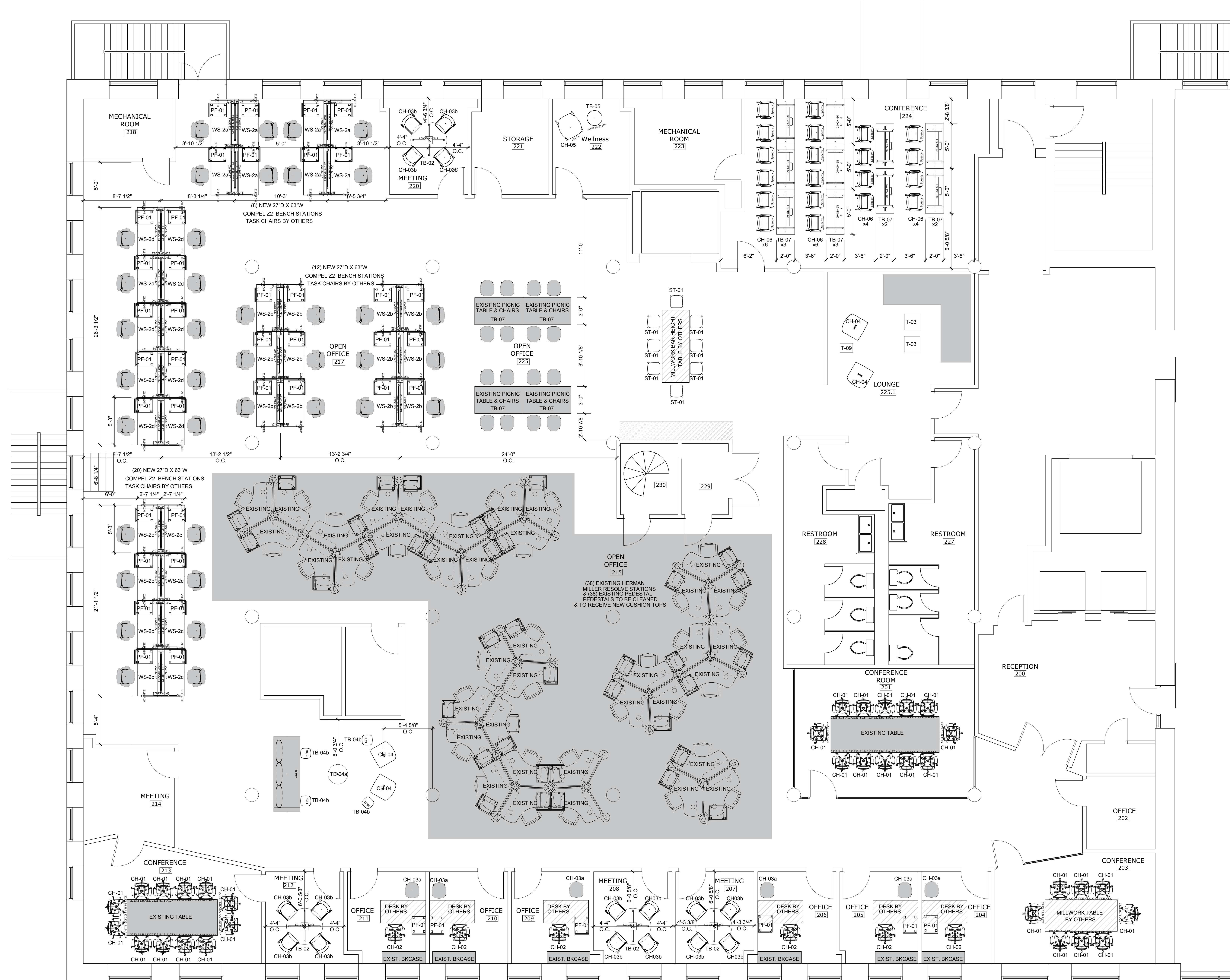


LEGEND

-  = NEW FURNITURE (ALSO NOTED WITH TAG IN THE FORMAT XX-##)
-  = EXISTING FURNITURE TO BE REUSED
-  = NEW FURNITURE BY OTHERS



PERKSPOT
216 W. OHIO STREET, 2ND FLOOR
CHICAGO, IL 60654

SCALE:
1/4" = 1'-0"

DATE:
08/27/2019

DRAWN BY:
KOK

REVISIONS:
REVISION 1_20190905
REVISION 2_20190910
REVISION 3_20190912
REVISION 4_20190926
REVISION 5_20191018
REVISION 6_20191108
REVISION 7_20191119
REVISION 8_20191120
REVISION 9_20191122
REVISION 10_20191219

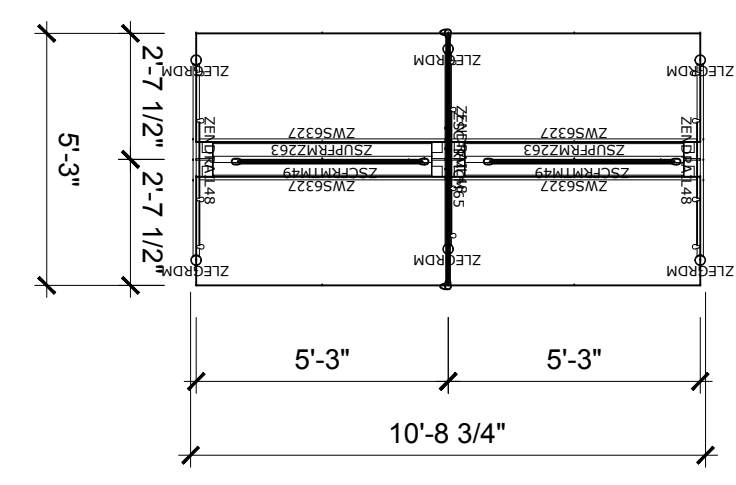
PROJECT:
PERKSPOT_2ND FLR FURNITURE PLAN

SHEET:
1 OF 1

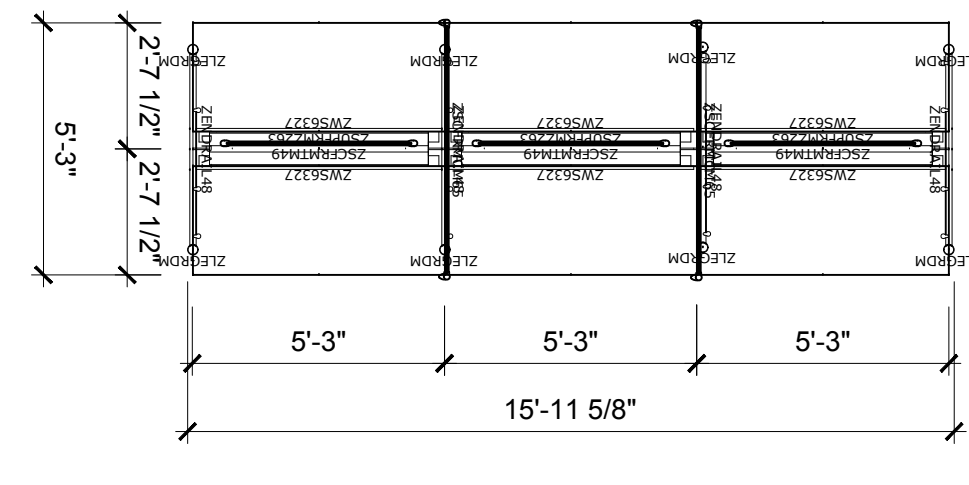
KEY PLAN

FURNITURE PLAN

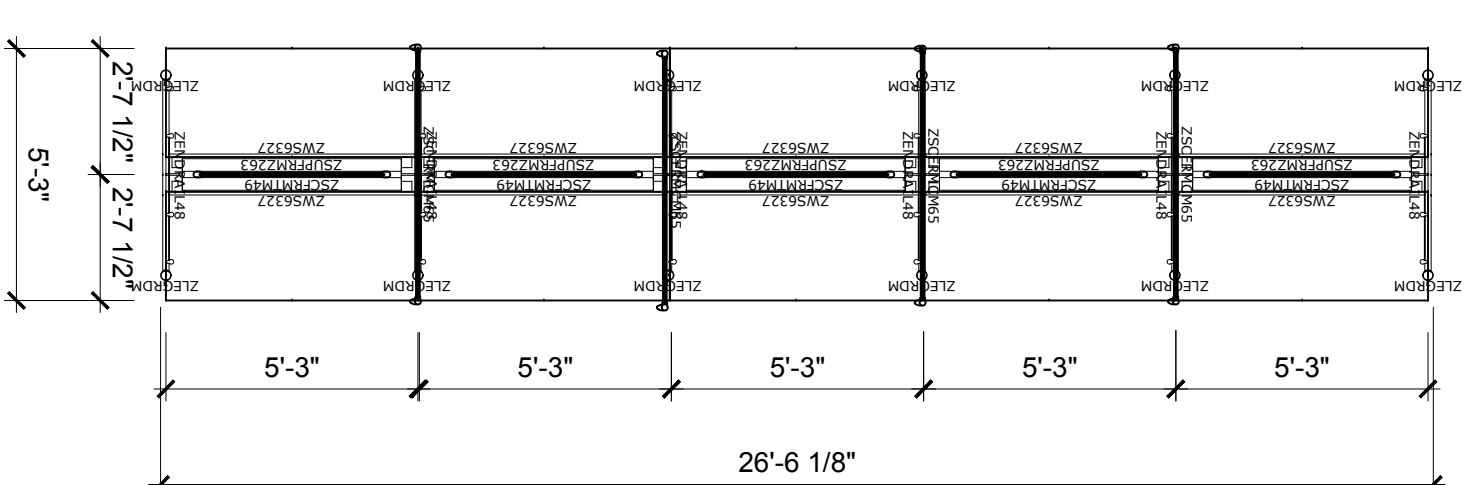
SCALE: 1/4" = 1'-0"



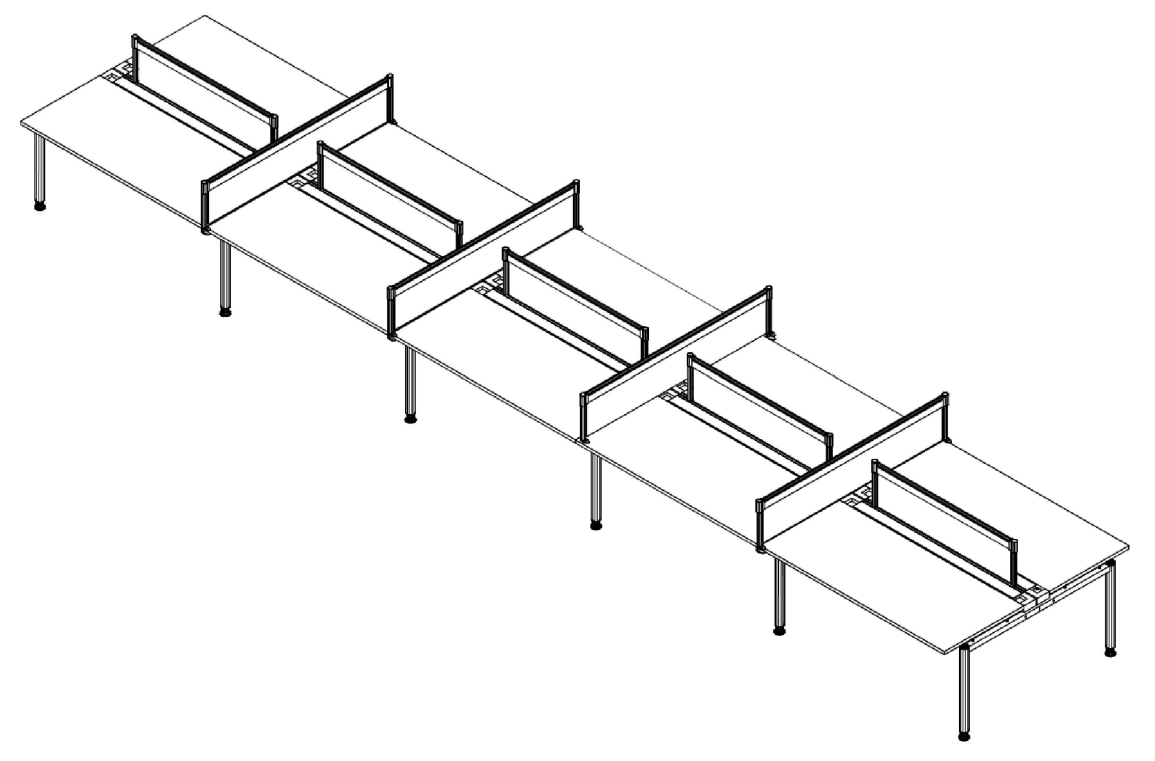
WS-02a Typical
Compel Z2 Benching
-4-Pack of Workstations
-63" W X 27"D Rectangular Laminate work surface
-63" Support Frame with Power Trough to Receive Chicago Code Power by Others
-End Rail/48"
-Trough Mount Acr with Legs, ylic Screen Frame, 49" for 63" Deep Back to Back Surfaces
-Clamp Mounted Acrylic Screen Frame for use in between users, perpendicular to Trough Frame
-Power Trough Transition Cover-2Way
-Task Chairs Monitor arms not included
Note: data receptacles and jacks are not included and must be field supplied and installed.



WS-02b Typical
Compel Z2 Benching
-6-Pack of Workstations
-63" W X 27"D Rectangular Laminate work surface
-63" Support Frame with Power Trough to Receive Chicago Code Power by Others
-End Rail/48"
-Trough Mount Acr with Legs, ylic Screen Frame, 49" for 63" Deep Back to Back Surfaces
-Clamp Mounted Acrylic Screen Frame for use in between users, perpendicular to Trough Frame
-Power Trough Transition Cover-2Way
-Task Chairs Monitor arms not included
Note: data receptacles and jacks are not included and must be field supplied and installed.



WS-02c Typical
Compel Z2 Benching
-8-Pack and/or 10-Pack of Workstations
-63" W X 27"D Rectangular Laminate work surface
-63" Support Frame with Power Trough to Receive Chicago Code Power by Others
-End Rail/48"
-Trough Mount Acr with Legs, ylic Screen Frame, 49" for 63" Deep Back to Back Surfaces
-Clamp Mounted Acrylic Screen Frame for use in between users, perpendicular to Trough Frame
-Power Trough Transition Cover-2Way
-Task Chairs Monitor arms not included
Note: data receptacles and jacks are not included and must be field supplied and installed.



WS-02a TYPICAL

SCALE: 1/4" = 1'-0"

WS-02c TYPICAL

SCALE: 1/4" = 1'-0"

WS-02c TYPICAL

SCALE: 1/4" = 1'-0"

WS-02d ISOMETRIC

SCALE: 1/4" = 1'-0"