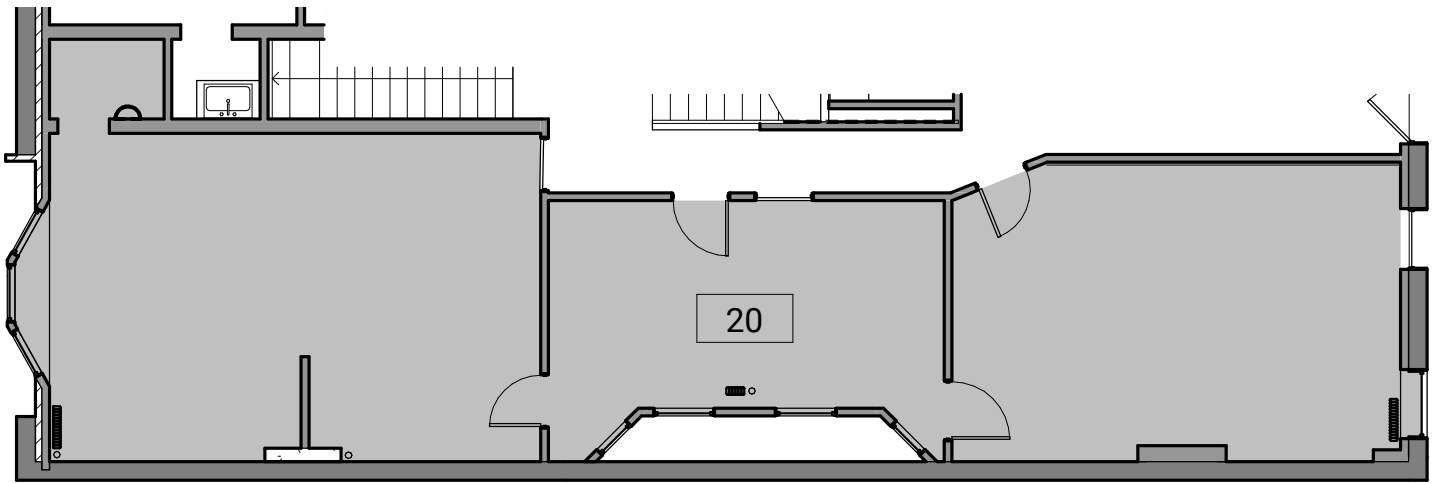


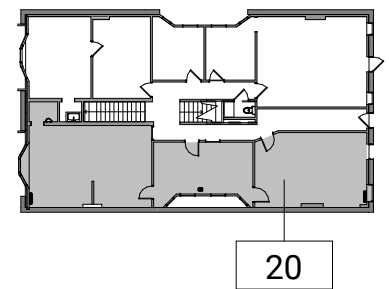
FOR LEASE

308 S. State St

308 S State St, Ann Arbor, MI 48104



2 Suite 20 - Partial Level 2 Existing Floor Plan
1" = 10'-0"
N



1 Key Plan - Level 2
1" = 40'-0"
N

FOR MORE INFORMATION CONTACT KAREN O'NEIL

Commercial Leasing Associate | koneil@oxfordcompanies.com | 734.665.6500

A LICENSED REAL ESTATE BROKER. ALL INFORMATION FURNISHED IS FROM SOURCES DEEMED RELIABLE. NO WARRANTY OR REPRESENTATION IS MADE AS TO THE ACCURACY THEREOF AND SAME IS SUBMITTED SUBJECT TO ERRORS, OMISSION OF PRICE, RENTAL, OR OTHER CONDITIONS, PRIOR TO SALE, LEASE OR FINANCING OR WITHDRAWAL

Dwg Date

12/02/2020