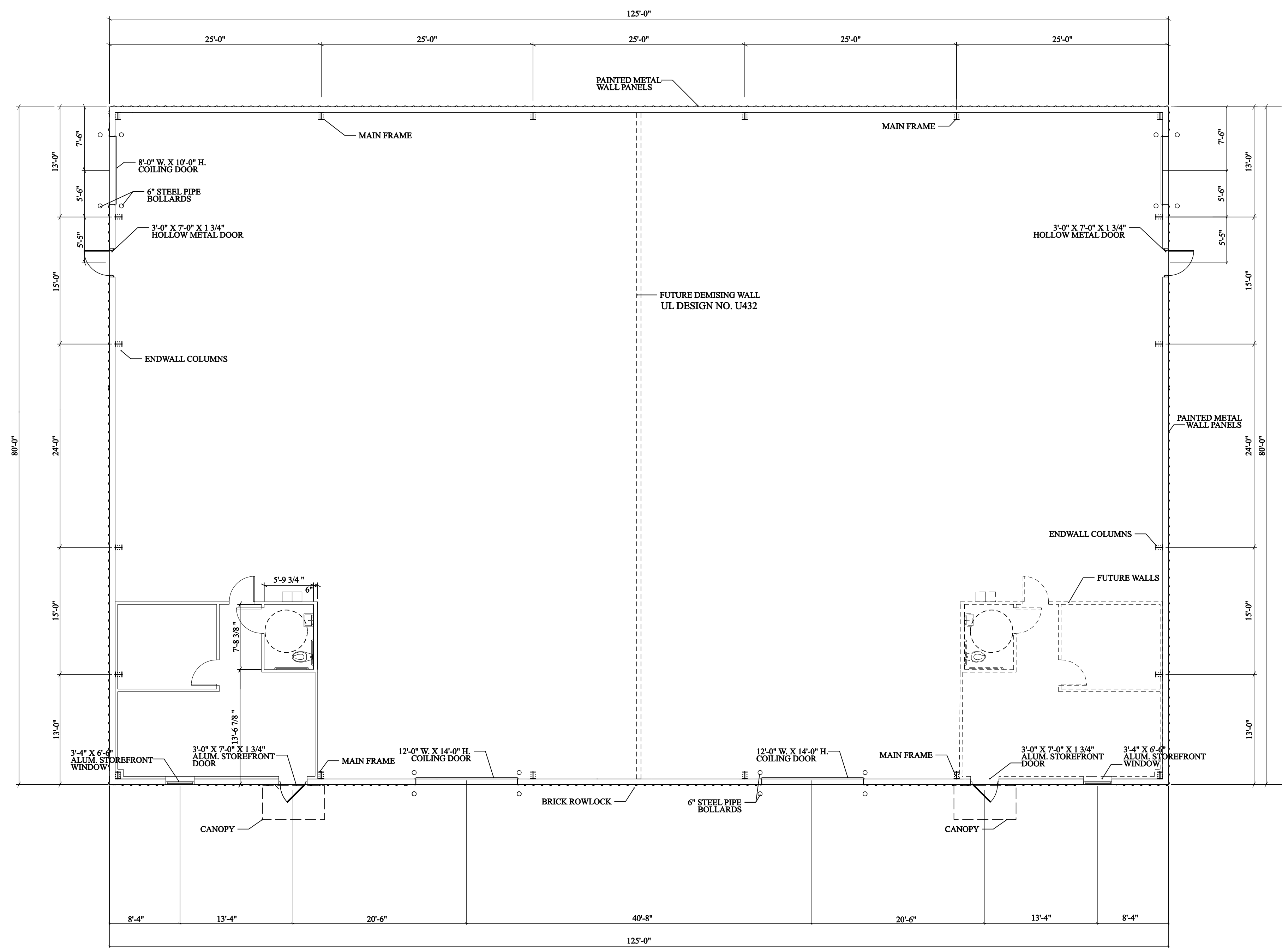
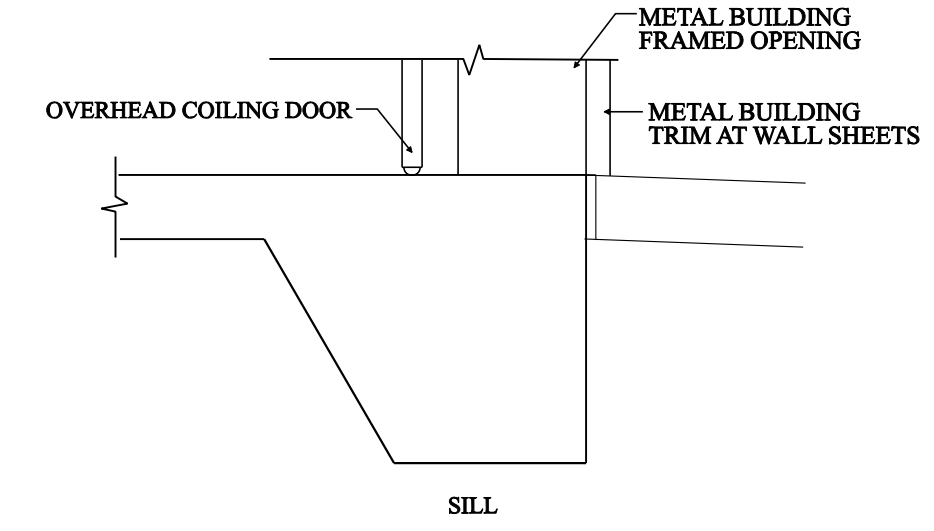
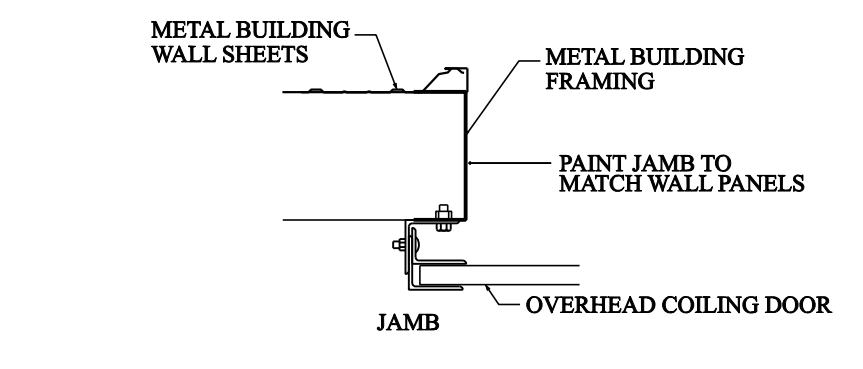
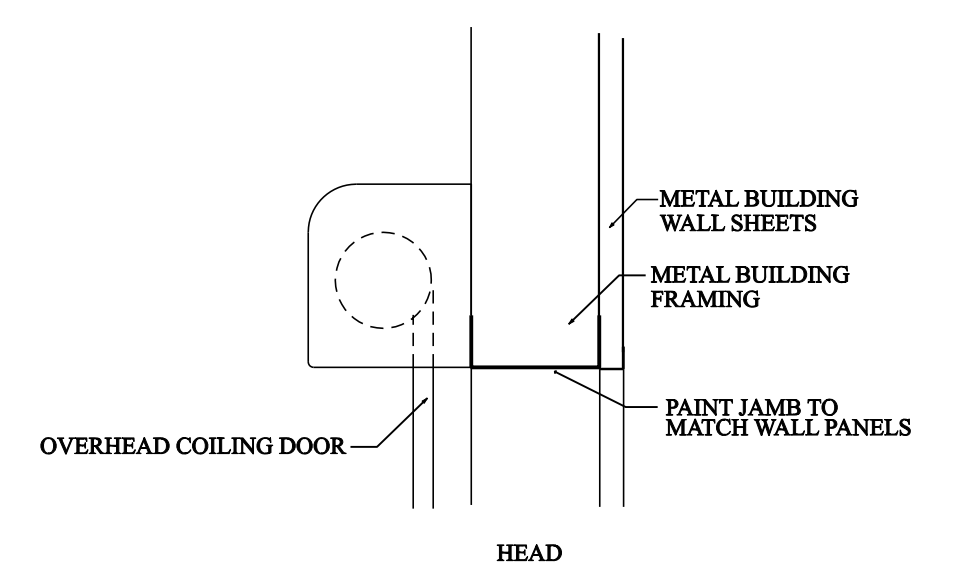


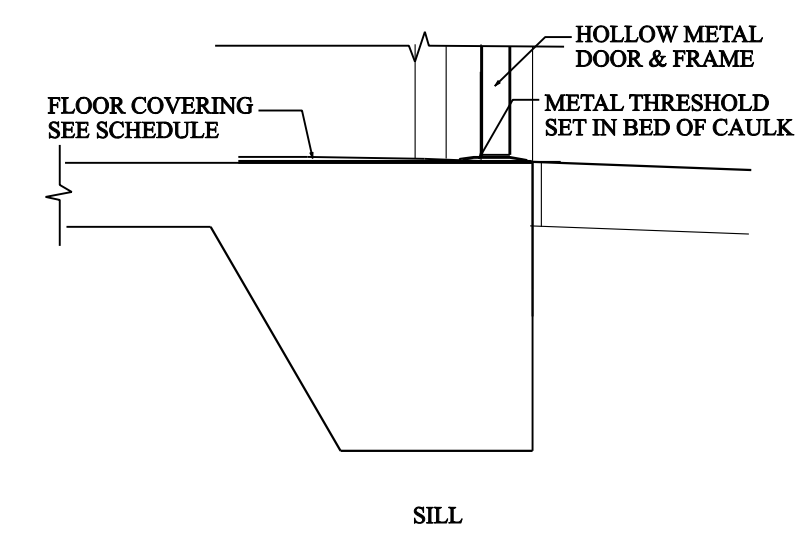
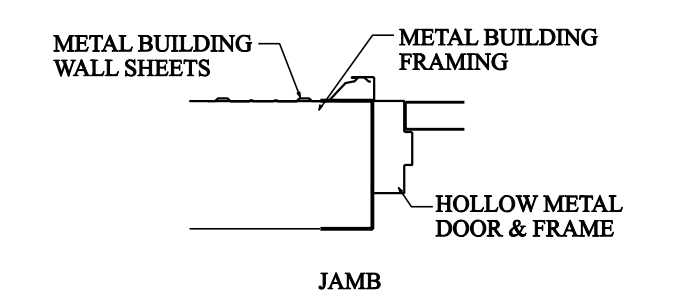
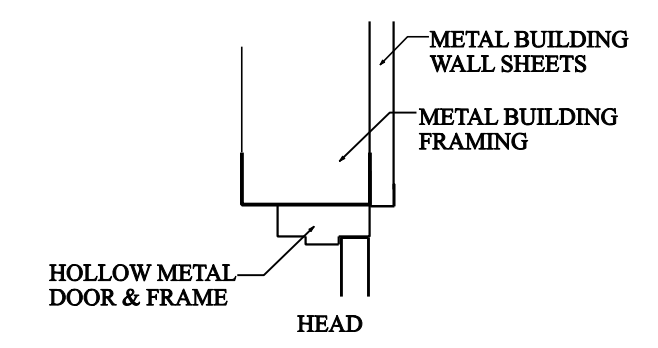
**DETAIL 1**  
**A-1** SCALE 1" = 1'-0"  
STEEL BOLLARD DETAIL



**FLOOR PLAN** SCALE 1/8" = 1'-0"



**DETAIL 2**  
**A-1** SCALE 1" = 1'-0"  
SECT. AT COILING DOOR



**DETAIL 3**  
**A-1** SCALE 1" = 1'-0"  
SECT. AT HOLLOW METAL DOOR