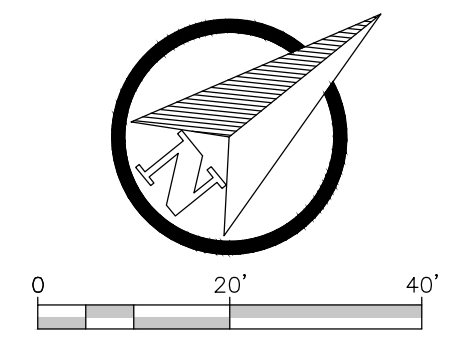


D:\PROJECTS\25161 - 7495 Fannett Road\Civil\Drawings_Current\25161_CE_SITE.dwg Jan 16, 2026 01:04pm



	DATE				
	ISSUED FOR				
	NO.				
<p>Fittz & Shipman INC.</p> <p>Consulting Engineers and Land Surveyors</p> <p>1405 Cornerstone Court, Beaumont, TX 77706 Ph: (409) 832-7238 Fax: (409) 832-7305 T.B.P.E. Firm #1160 T.X.L.S. Firm #100186</p>					
<p>INTERIM REVIEW ONLY</p> <p>Document Incomplete: Not intended for permit or construction</p> <p>Engineer: Daniel A. Dotson P.E. Serial No. 109833 Date: January 16, 2026</p>					
<p>SITE DEVELOPMENT PLANS FOR BISHOP ENTERPRISES, INC. WAREHOUSE STORAGE BUILDING 7495 FANNETT ROAD, BEAUMONT, TEXAS</p>					
<p>FS PROJECT # 25161.000</p>					
<p>DATE: Jan 16, 2026 SCALE: 1" = 20' DRAWN BY: J.L.H. CHECK BY: D.A.D. FS DRAWING NAME: 25161_CE_SITE</p>					
<p>CONCEPTUAL PLAN</p>					
<p>C2.01</p> <p>© COPYRIGHT 2026 FITTZ & SHIPMAN, INC.</p>					