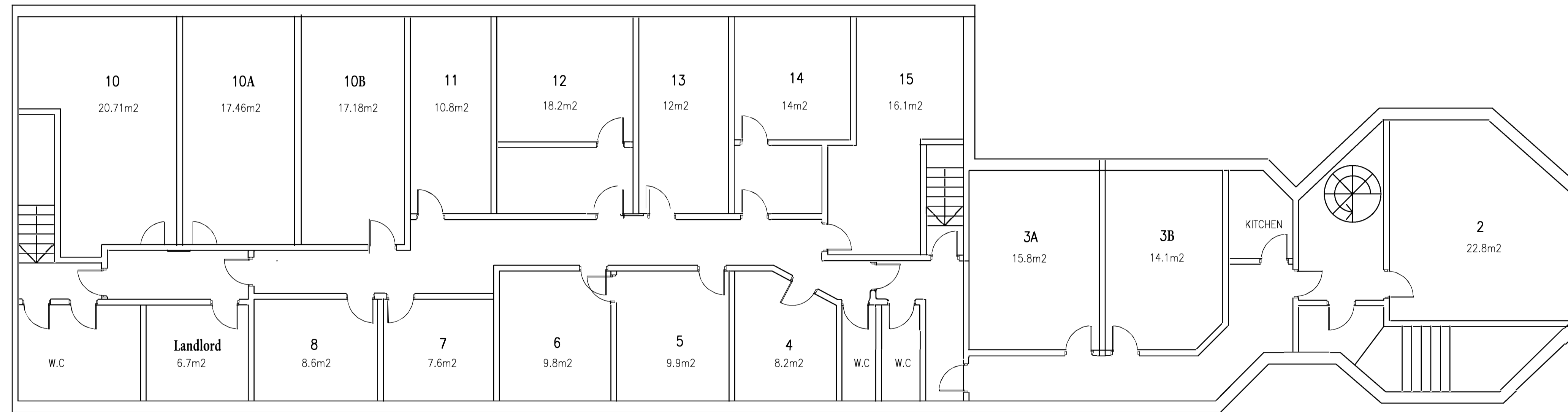
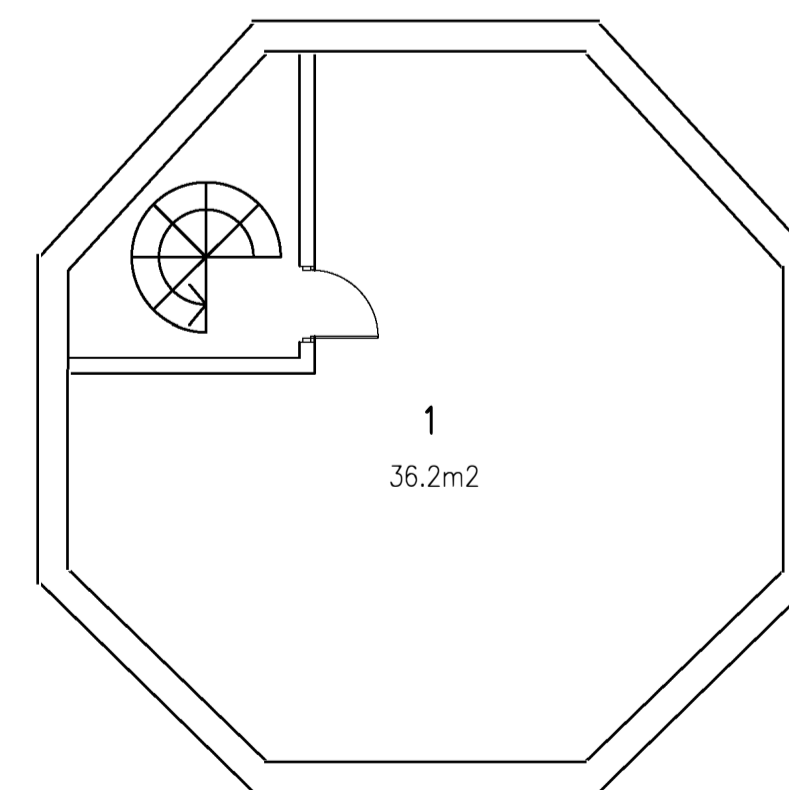


GROUND FLOOR PLAN VIEW



FIRST FLOOR PLAN VIEW



SECOND FLOOR PLAN VIEW