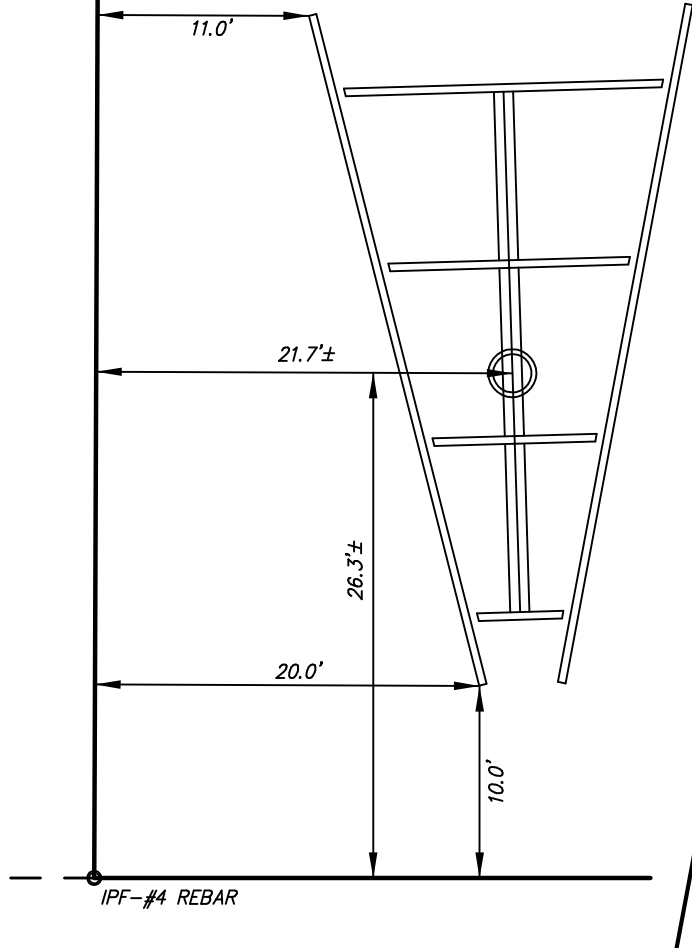
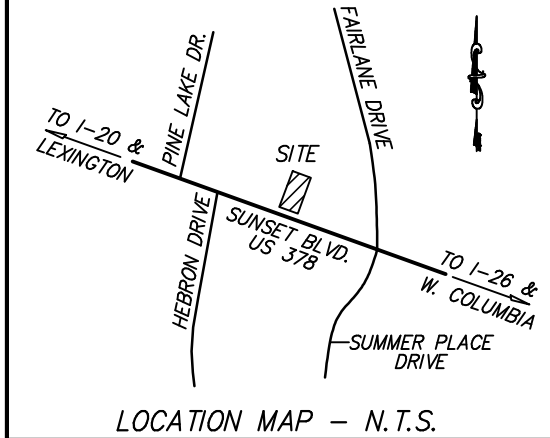


PROPOSED BILLBOARD SIGN
DETAIL
1"=10'

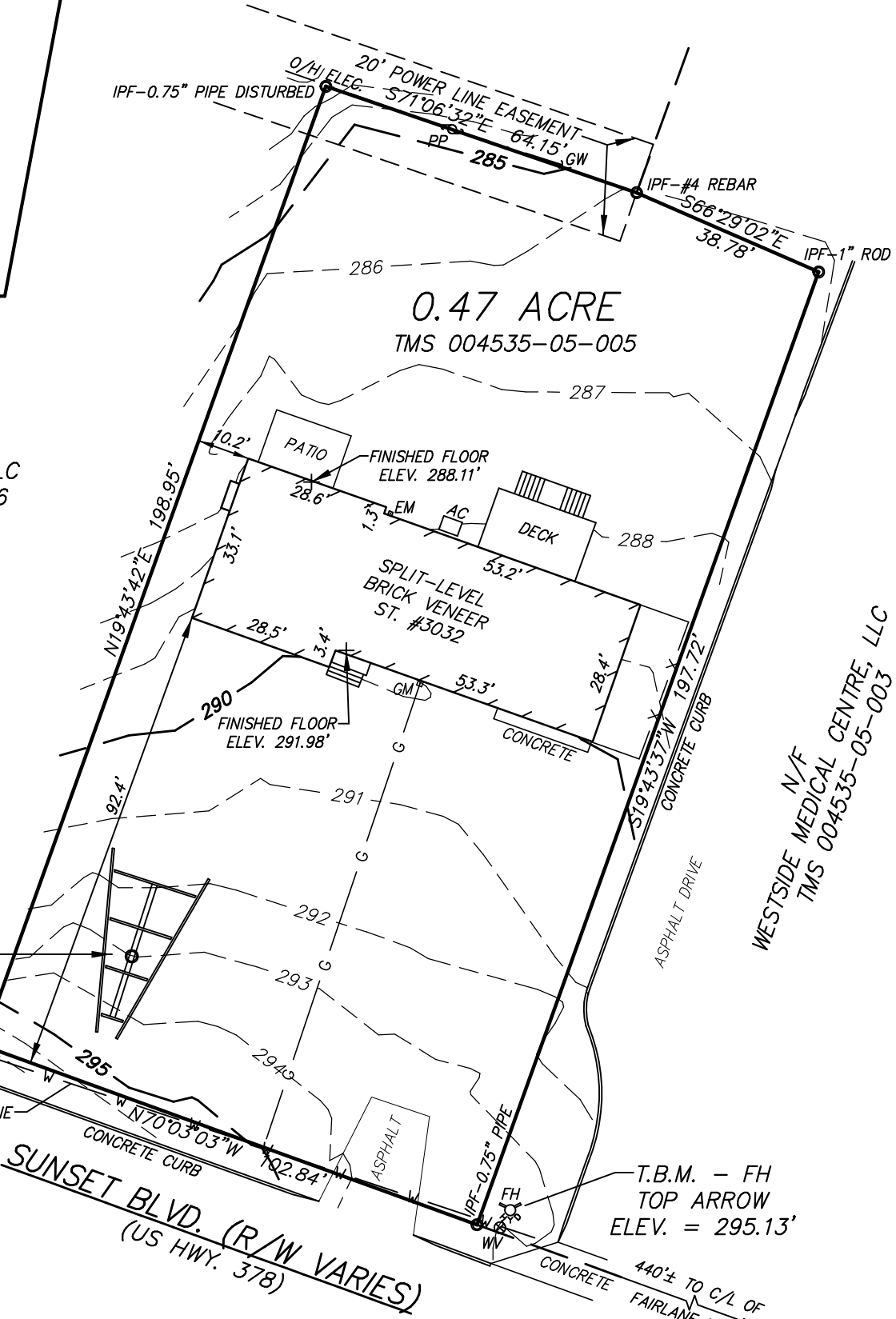


IPF = IRON PIN FOUND
TMS = TAX MAP SHEET
R/W = RIGHT OF WAY
N/F = NOW OR FORMERLY
O/H = OVERHEAD
WV = WATER VALVE
FH = FIRE HYDRANT
EM = ELECTRIC METER
GW = GUY WIRE
PP = POWER POLE
GM = GAS METER



ELEVS. BASED ON NAVD 1988 DATUM

N/F
NAMAN PINE LAKE, LLC
TMS 004535-05-006



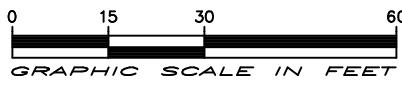
N/F
WESTSIDE MEDICAL CENTRE, LLC
TMS 004535-05-003



TOPOGRAPHIC SURVEY PREPARED FOR
JOHN McDANIEL

SITE LOCATED IN LEXINGTON COUNTY, SOUTH CAROLINA

SCALE: 1" = 30'



DATE: OCTOBER 31, 2023

REVISED DECEMBER 15, 2023, TO SHOW PROPOSED SIGN POLE.
REVISED JANUARY 8, 2024, TO SHOW PROPOSED SIGN DETAIL.
REV. JULY 17, 2024, MOVE PROPOSED SIGN

REFERENCES:

1. LEXINGTON COUNTY TAX MAP NUMBER 004535-05-005
2. ALTS/NSPS LAND TITLE SURVEY PREPARED FOR "ASHOK PATEL" BY CHAO & ASSOCIATES, INC., DATED APRIL 15, 2021, AND RECORDED IN THE LEXINGTON COUNTY R.O.D. IN PLAT BOOK 20980 AT PAGE 2890.

CERTIFICATION:

I HEREBY STATE THAT TO THE BEST OF MY PROFESSIONAL KNOWLEDGE, INFORMATION, AND BELIEF, THE SURVEY SHOWN HEREIN WAS MADE IN ACCORDANCE WITH THE REQUIREMENTS OF THE STANDARDS OF PRACTICE MANUAL FOR SURVEYING IN SOUTH CAROLINA AND MEETS OR EXCEEDS THE REQUIREMENTS FOR A CLASS "B" SURVEY AS SPECIFIED THEREIN; ALSO THERE ARE NO VISIBLE ENCROACHMENTS OR PROJECTIONS OTHER THAN SHOWN.

ACCORDING TO FEMA/FIRM PANEL #45063C0163J DATED JULY 5, 2018, THE LAND SHOWN HEREON IS LOCATED IN ZONE X.

LARRY W. SMITH, S.C.P.L.S. NO. 3724

ASSOCIATED E & S, INC.

800 VIOLET STREET, WEST COLUMBIA, SOUTH CAROLINA, 29169 - PH. 791-1550