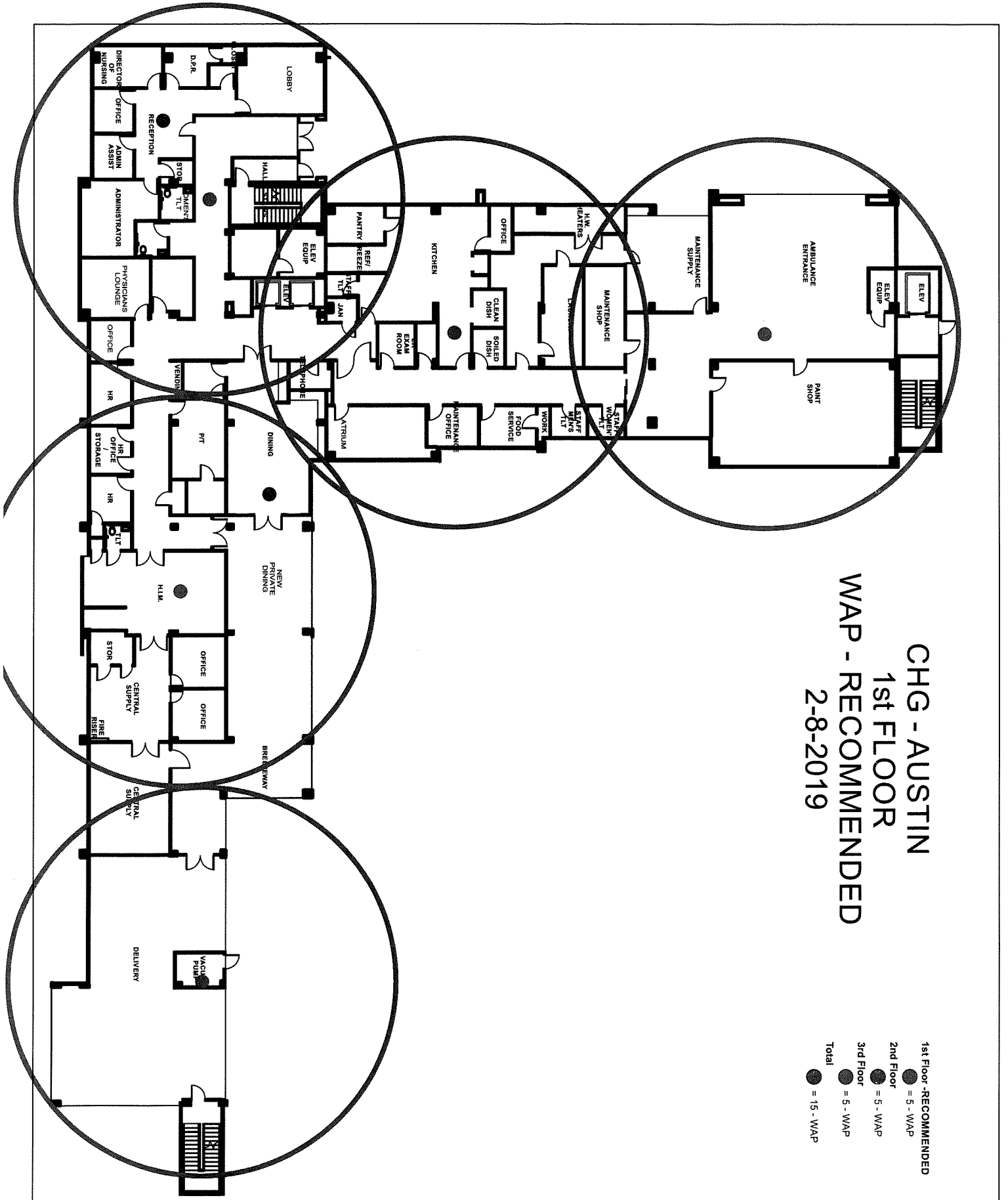


# CHG - AUSTIN 1st FLOOR WAP - RECOMMENDED 2-8-2019

1st Floor - RECOMMENDED  
● = 5 - WAP  
2nd Floor  
● = 5 - WAP  
3rd Floor  
● = 5 - WAP  
Total  
● = 15 - WAP



Technology  
Wireless - 1st Floor - RECOMMENDED

Project Name  
CHG-AUSTIN

Location Name  
AUSTIN, TEXAS

File Name  
CHG\_AUSTIN\_Wireless\_R.1

Address

Suite

City - State - Zip  
AUSTIN, TEXAS

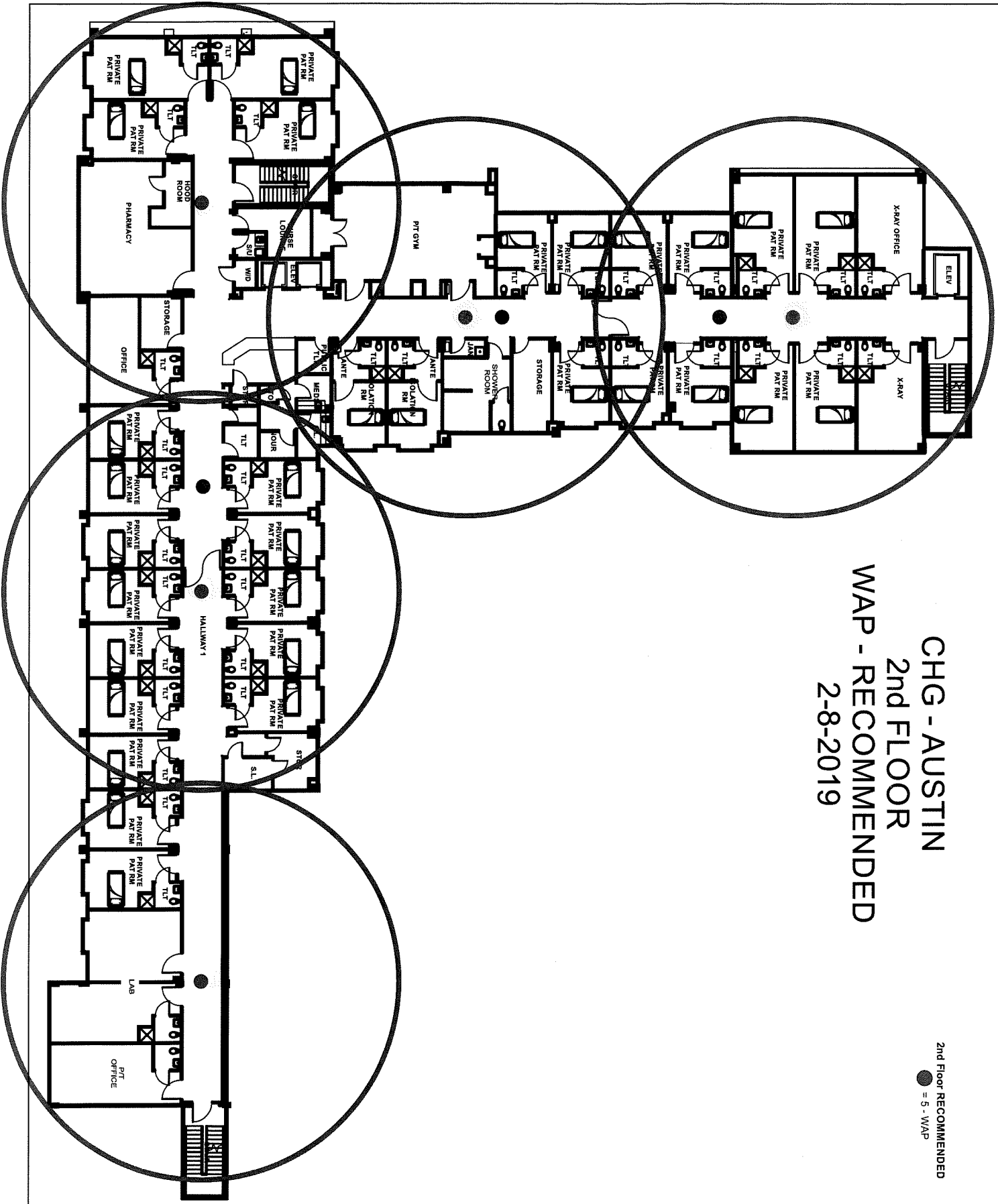
Designed by  
ROBERT GORDON

Date  
1-8-2019

Version - Revision Number  
R.1

CHG - AUSTIN  
 2nd FLOOR  
 WAP - RECOMMENDED  
 2-8-2019

2nd Floor RECOMMENDED  
 ● = 5 - WAP



Technology  
 Wireless - 2nd Floor - RECOMMENDED

Project Name  
 CHG-AUSTIN

Location Name  
 AUSTIN, TEXAS

File Name  
 CHG\_AUSTIN\_Wireless\_R.1

Address  
 \_\_\_\_\_

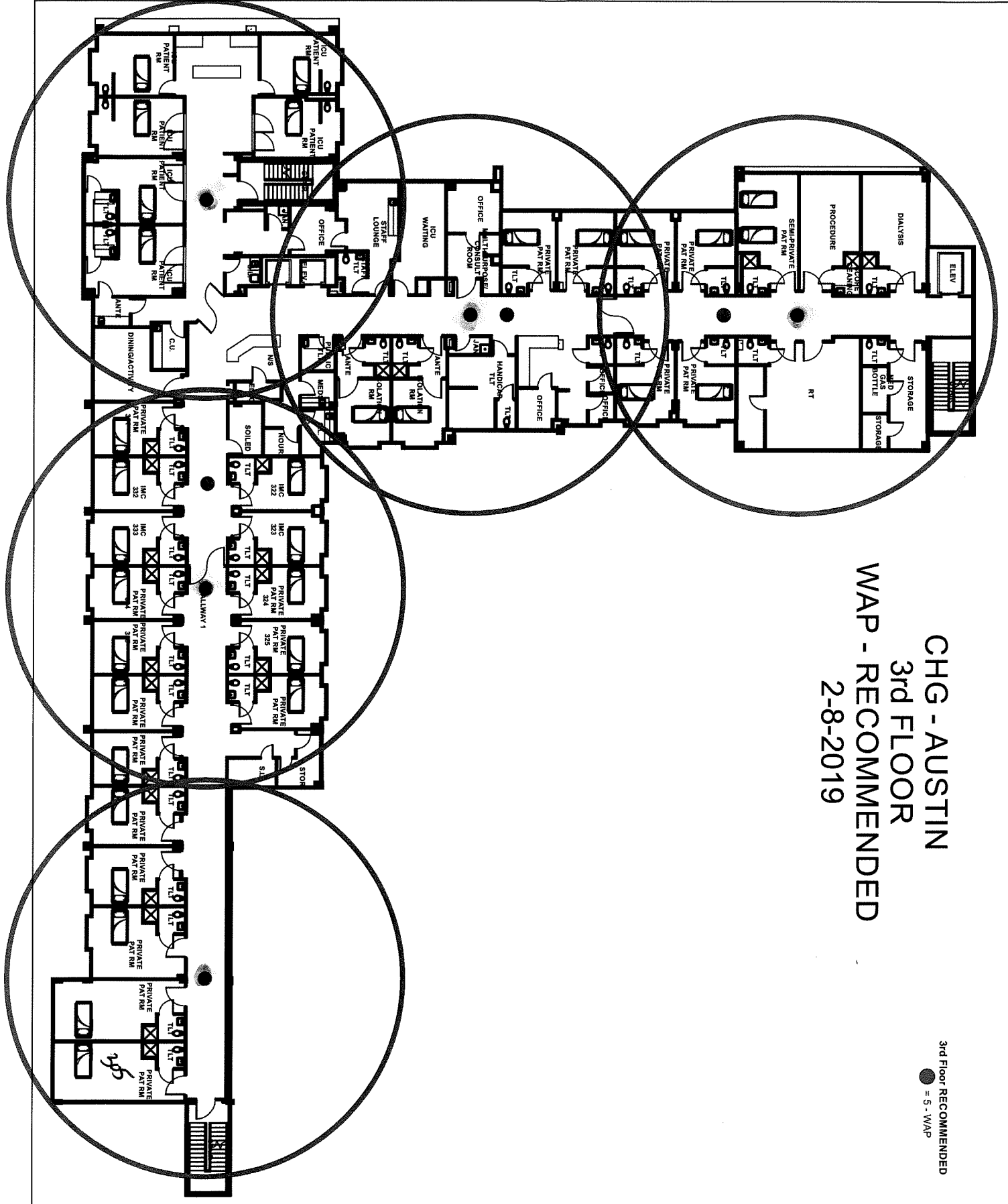
Suite  
 \_\_\_\_\_

City - State - Zip  
 AUSTIN, TEXAS

Designed by  
 ROBERT GORDON

Date  
 2-8-2019

Version - Revision Number  
 R.1



CHG - AUSTIN  
 3rd FLOOR  
 WAP - RECOMMENDED  
 2-8-2019

3rd Floor RECOMMENDED  
 ● = 5 - WAP



Technology  
 Wireless - 3rd Floor - RECOMMENDED

Project Name  
 CHG-AUSTIN

Location Name  
 AUSTIN, TEXAS

File Name  
 CHG\_AUSTIN\_Wireless\_R.1

Address  
 \_\_\_\_\_

Suite  
 \_\_\_\_\_

City - State - Zip  
 AUSTIN, TEXAS

Designed by  
 ROBERT GORDON

Date  
 2-4-2019

Version - Revision Number  
 R.1