

REVISIONS:	INITIALS & DATE:
A -	-
B -	-
C -	-
D -	-
E -	-
F -	-
G -	-
H -	-

This is an original unpublished drawing submitted for use in connection with a project being planned for you by Kieffer Holding Co. It is not to be reproduced, copied or exhibited in any fashion without the written permission of Kieffer Holding Company.

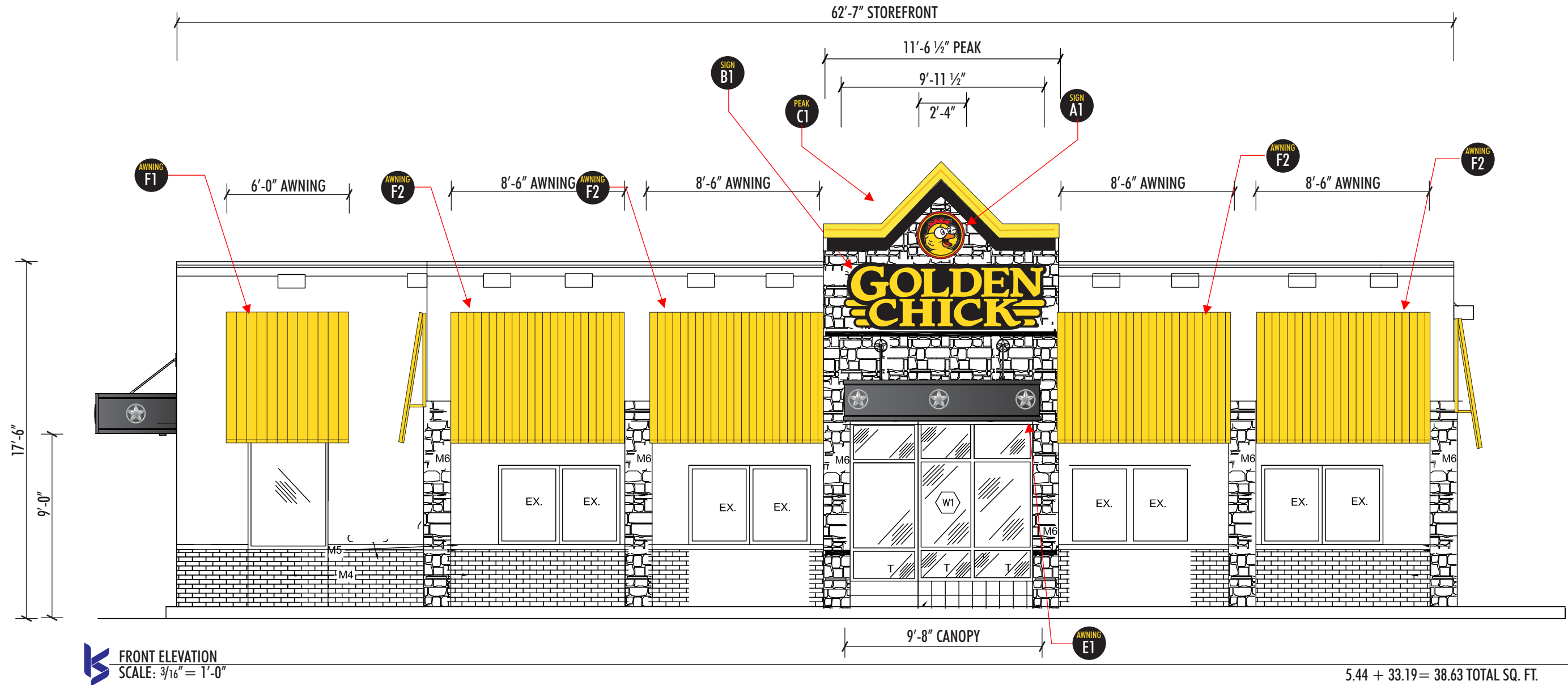
7923 E McKinney Street, Denton, TX 76208
PHONE: (940) 382-8850 FAX: (940) 387-0429
www.kssigngroup.com



NOTE TO INSTALLERS:

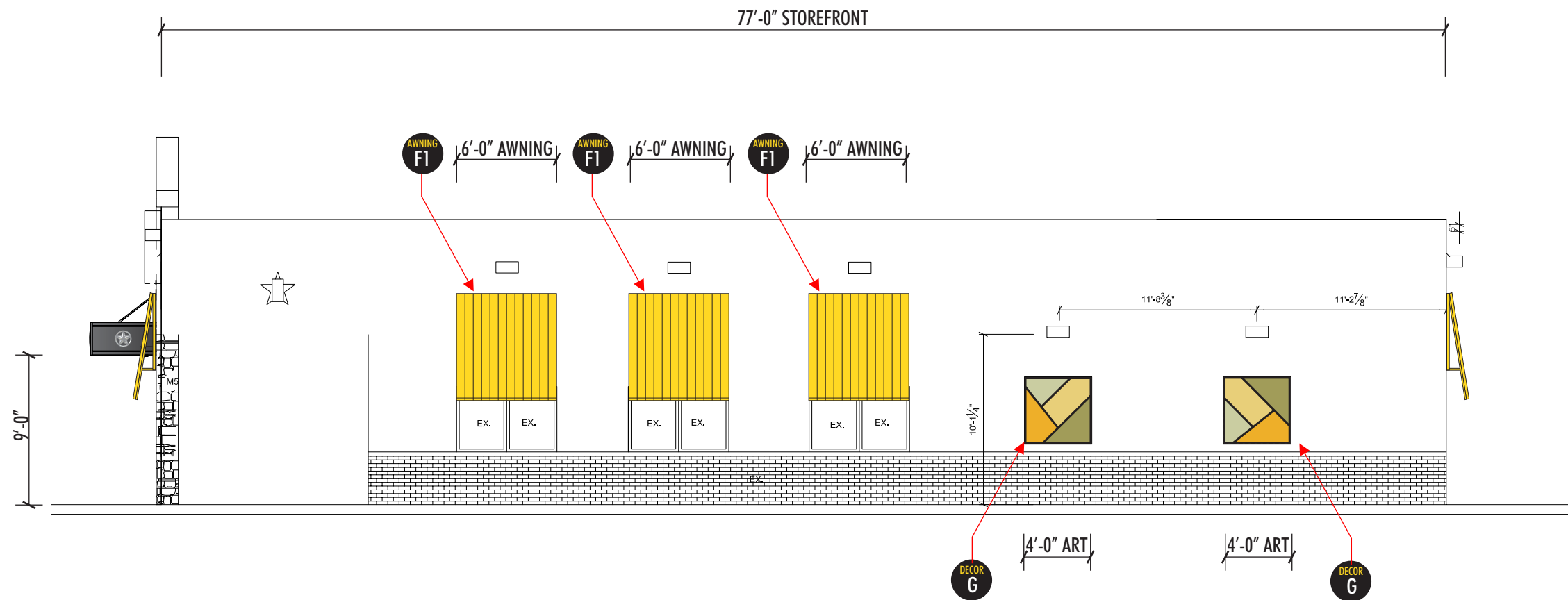
- 1- YELLOW AWNINGS MUST BE INSTALLED 3" FROM BOTTOM OF LIGHT FIXTURES, BUT EVEN WITH OR ABOVE THE WINDOW FRAME
- 2- INSTALL FLASHING ON ENDS OF BLACK CANOPIES & SEAL ACROSS TOP EDGE

SCOPE OF WORK	
FRONT	
A1	MFG. & INST. (1) L28-6-D WALL LOGO
B1	MFG. & INST. (1) C40-34-R CHANNEL LETTERS
C1	MFG. & INST. (1) 11'-6 1/2" ROOF PEAK
E1	MFG. & INST. (1) AR-8 9'-8' CANOPY w/STAR DECORATIONS
F1	MFG. & INST. (1) F1 6' PRE-COATED YELLOW AWNING
F2	MFG. & INST. (4) F1 8'-6' PRE-COATED YELLOW AWNING





SCOPE OF WORK	
F1	MFG. & INST. (3) 6' PRE-COATED YELLOW AWNINGS
G	MFG. & INST. (2) D48 WALL DECORATION



RIGHT ELEVATION
SCALE: 1/8" = 1'-0"



ACCOUNT: **Golden Chick**
 LOCATION: **18th St. & I-35, Waco, TX**
 ACCT. REP: **Brian Oster** DESIGNER: **L. Nichols**
 DATE: **09-21-18**
 COMPANION FILES



REVISIONS:	INITIALS & DATE:
A -	-
B -	-
C -	-
D -	-
E -	-
F -	-
G -	-
H -	-

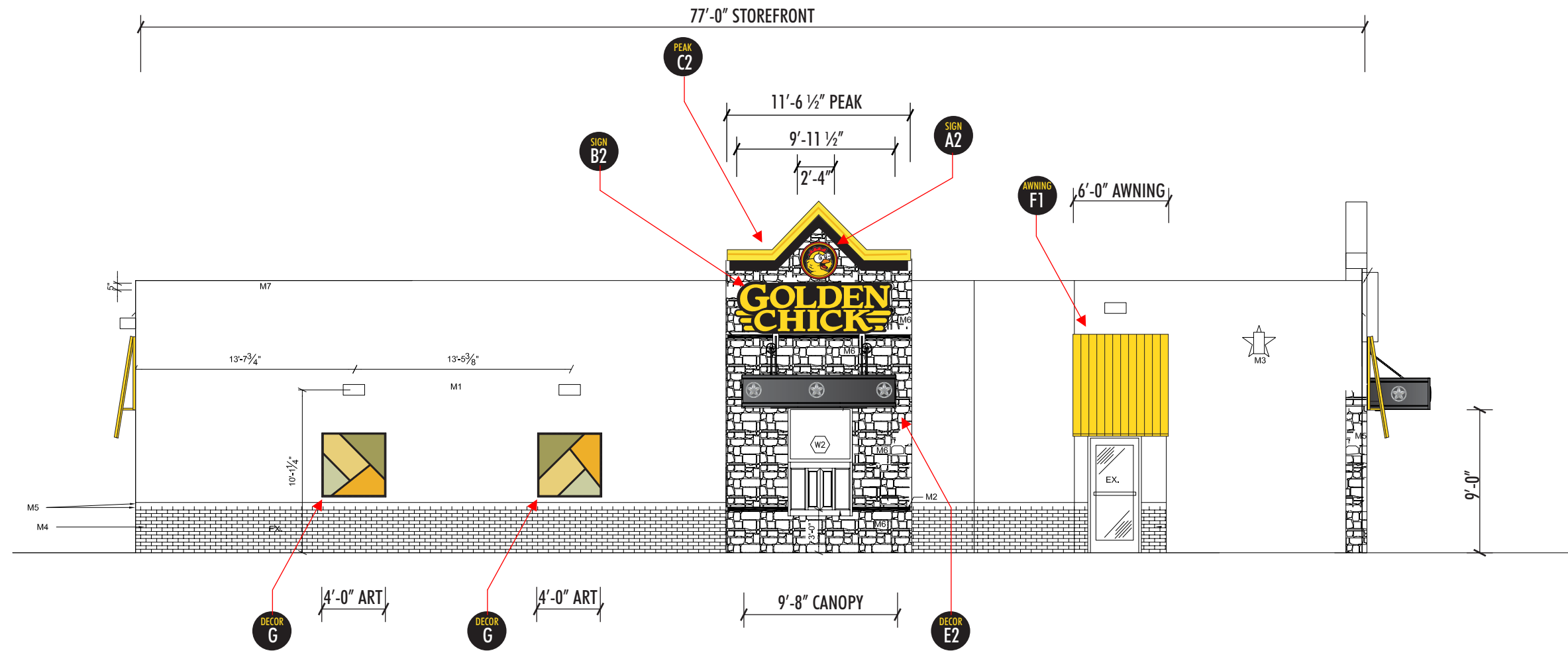
This is an original unpublished drawing submitted for use in connection with a project being planned for you by Kieffer Holding Co. It is not to be reproduced, copied or exhibited in any fashion without the written permission of Kieffer Holding Company.

7923 E McKinney Street, Denton, TX 76208
 PHONE: (940) 382-8850 FAX: (940) 387-0429
 www.kssigngroup.com

KS1800047C



SCOPE OF WORK	
A2	MFG. & INST. (1) L28-6-D WALL LOGO
B2	MFG. & INST. (1) C40-34-R CHANNEL LETTERS
C2	MFG. & INST. (1) 11'-6 1/2" ROOF PEAK
E2	MFG. & INST. (1) AR-8 9'-8" CANOPY w/STAR DECORATIONS
F1	MFG. & INST. (1) F1 6' PRE-COATED YELLOW AWNING
G	MFG. & INST. (2) 4' ART PIECES



LEFT ELEVATION
SCALE: 1/8" = 1'-0"

5.44 + 33.19 = 38.63 TOTAL SQ. FT.



ACCOUNT: Golden Chick
 LOCATION: 18th St. & I-35, Waco, TX
 ACCT. REP: Brian Oster DESIGNER: L. Nichols
 DATE: 09-21-18
 COMPANION FILES



REVISIONS:	INITIALS & DATE:
A -	-
B -	-
C -	-
D -	-
E -	-
F -	-
G -	-
H -	-

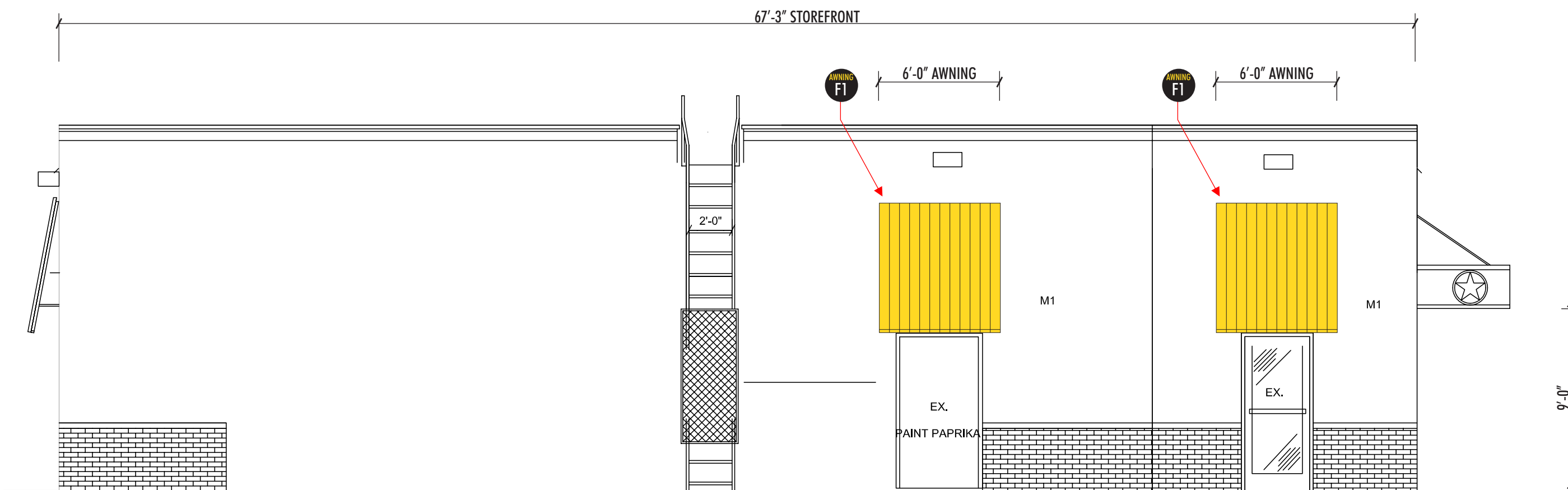
This is an original unpublished drawing submitted for use in connection with a project being planned for you by Kieffer Holding Co. It is not to be reproduced, copied or exhibited in any fashion without the written permission of Kieffer Holding Company.

7923 E McKinney Street, Denton, TX 76208
 PHONE: (940) 382-8850 FAX: (940) 387-0429
 www.kssigngroup.com

KS1800047D

SCOPE OF WORK

F1 MFG. & INST. (1) F1 6' PRE-COATED YELLOW AWNING



REAR ELEVATION
SCALE: 3/16" = 1'-0"

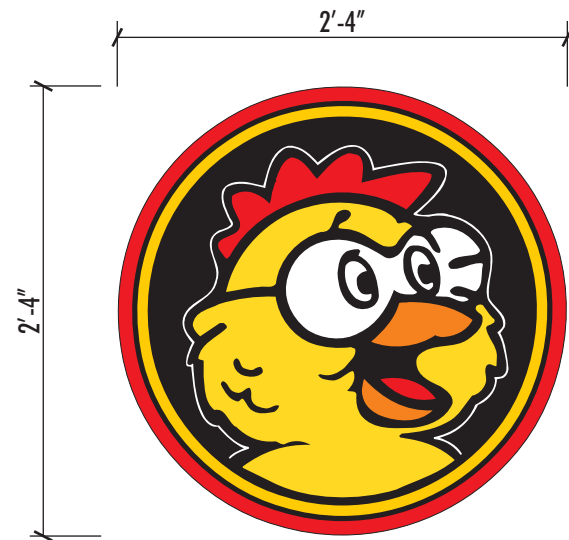


REVISIONS:	INITIALS & DATE:
A -	-
B -	-
C -	-
D -	-
E -	-
F -	-
G -	-
H -	-

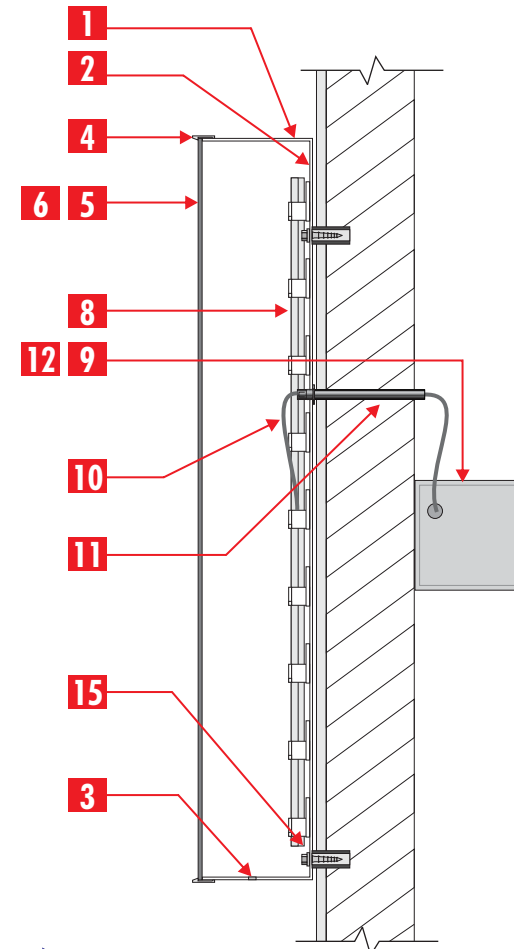
This is an original unpublished drawing submitted for use in connection with a project being planned for you by Kieffer Holding Co. It is not to be reproduced, copied or exhibited in any fashion without the written permission of Kieffer Holding Company.

7923 E McKinney Street, Denton, TX 76208
PHONE: (940) 382-8850 FAX: (940) 387-0429
www.kssigngroup.com

KS1800047F

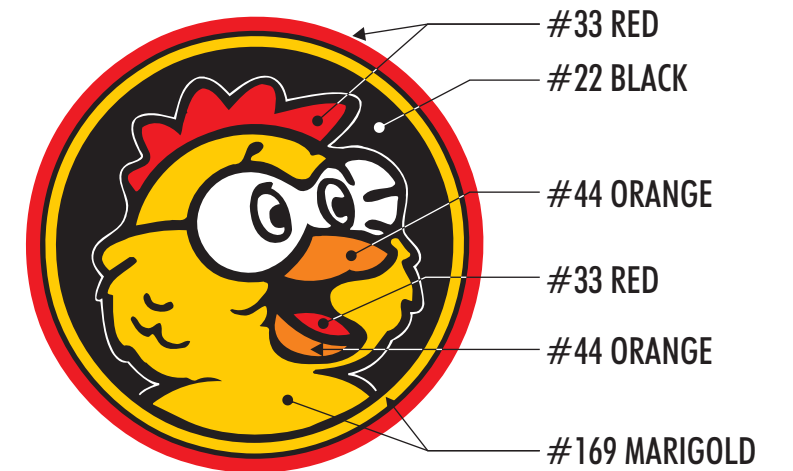


L28-6-D CHANNEL LOGO (2 REQUIRED) PART # 509-1500-28 SIGN A
 SCALE: 1" = 1'-0" 2'-4" x 2'-4" = 5.44 SQ. FT.



SECTION N.T.S.

CHANNEL LOGO WITH LED LIGHTING			
ITEM	DESCRIPTION		
BASIC STRUCTURE			
1	RETURN	5" .040 ALUM.	PREFINISHED BLACK
2	BACK	3MM WHITE ACM	
3	WEEP HOLES	YES	
FACE/DECORATION			
4	RETAINER	1" JEWELITE	BLACK-8'
5	FACE	3/16" ACRYLIC #7328 WHITE	
6	VINYL	1st SURFACE PRINTED	
7	TRADEMARK	(NONE REQUIRED)	
LIGHTING/ASSEMBLY			
8	L.E.D. LIGHTING	PRINCIPAL SF PLUS WHITE LED LIGHTING	
9	POWER SUPPLY	LOCATED IN METAL CONTAINER BEHIND WALL	
10	SECONDARY	SUPPLY CABLE w/GROUND	
11	WIRE FEED	U.L. APPROVED NON-CONDUCTIVE WALL-BUSTER SLIP-STICK	
12	CONTROL	WATER-TIGHT CUT-OFF SWITCH TIMER ON/OFF (BY OTHERS)	
13	RACEWAY	(NONE REQUIRED)	
SUPPORT			
14	BACKGROUND	(NONE REQUIRED)	
15	MOUNTING	NON-CORROSIVE MOUNTING SCREW IN ANCHOR	



COLOR REFERENCE N.T.S.



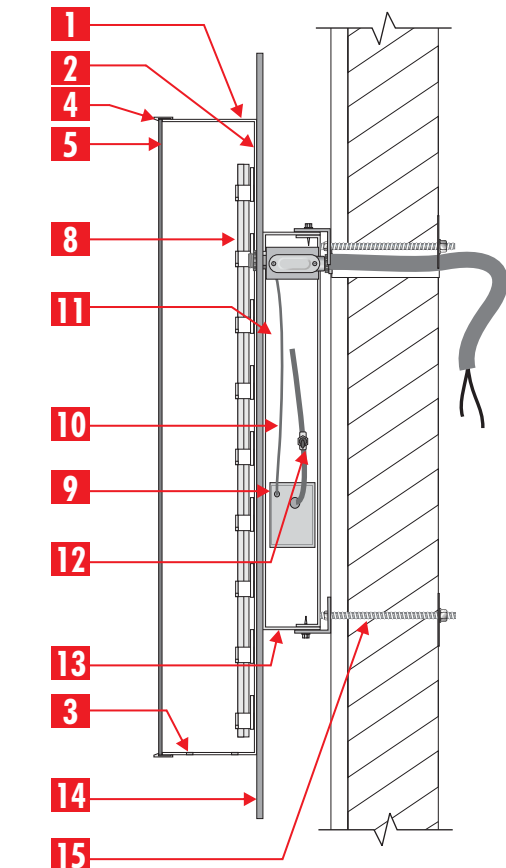
18th St. Waco, TX



C40-34-R CHANNEL LETTER SIGN (2 REQUIRED) PART # 509-1100-34
 SCALE: 1/2" = 1'-0" 3'-4" x 9'-11 1/2" = 33.19 SQ. FT. **SIGN B**

CHANNEL LETTERS ON RACEWAY(S) WITH LED LIGHTING	
ITEM	DESCRIPTION
BASIC STRUCTURE	
1	RETURN 5" .040 ALUM. PREFINISHED BLACK
2	BACK 3MM WHITE ACM
3	WEEP HOLES YES
FACE/DECORATION	
4	RETAINER 1" JEWELITE BLACK-103'
5	FACE 1/8" ACRYLIC #2016 YELLOW
6	VINYL (NONE REQUIRED EXCEPT TRADEMARK)
7	TRADEMARK #169 MARIGOLD VINYL APPLIED TO CONTOUR BKGD.
LIGHTING/ASSEMBLY	
8	L.E.D. LIGHTING WHITE
9	POWER SUPPLY LOCATED ON SLIDE-TRAY; SERVICE FROM END
10	SECONDARY SUPPLY CABLE w/GROUND
11	WIRE FEED LB-STYLE CONDUIT BODY w/COVER & GASKET OUT TOP TO SEALTITE CONDUIT
12	CONTROL WATER-TIGHT CUT-OFF SWITCH TIMER ON/OFF (BY OTHERS)
13	U.L. RACEWAY 3 1/2" DEEP ALUM. SLIDE-TRAY CENTER JUSTIFIED PTD. MATTHEWS SV 923SP BLACK
SUPPORT	
14	BACKGROUND 3MM ALUM. MULTI-PANEL BLACK
15	MOUNTING 2" CLIP ANGLES MTD WITH 1/2" x 3/8" ALL-THREAD THROUGH WALL w/BLOCKING PLATES

SLIDE TRAY RACEWAY TO MOUNT TO THE 2" CLIP ANGLES WITH #12 SELF TAP SCREWS



SECTION
N.T.S.



ACCOUNT: Golden Chick
 LOCATION: 18th St. & I-35, Waco, TX
 ACCT. REP: Brian Oster DESIGNER: L. Nichols
 DATE: 09-21-18
 COMPANION FILES



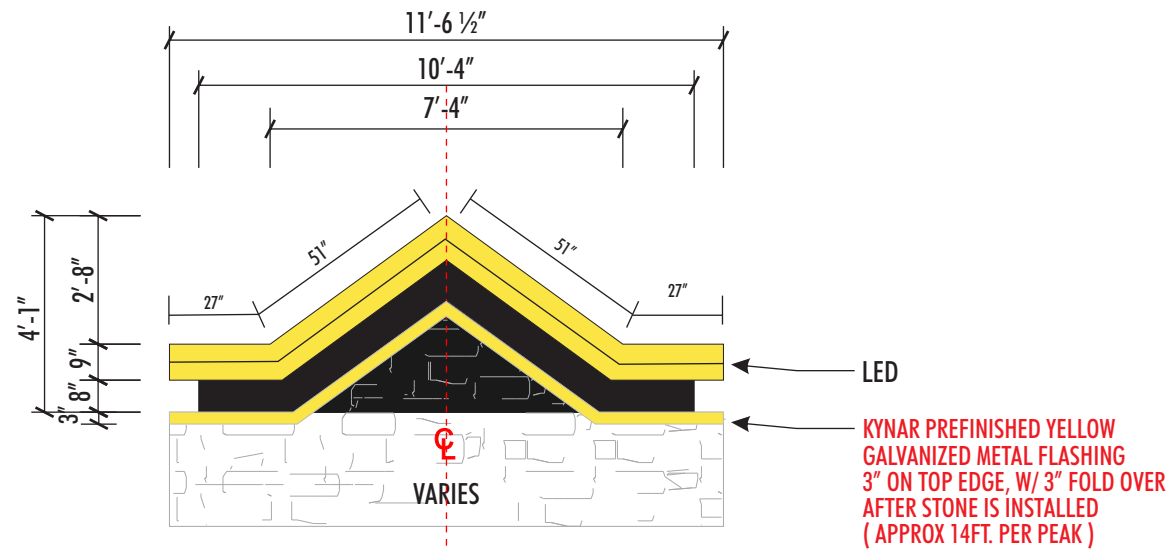
REVISIONS:	INITIALS & DATE:
A -	-
B -	-
C -	-
D -	-
E -	-
F -	-
G -	-
H -	-

This is an original unpublished drawing submitted for use in connection with a project being planned for you by Kieffer Holding Co. It is not to be reproduced, copied or exhibited in any fashion without the written permission of Kieffer Holding Company.

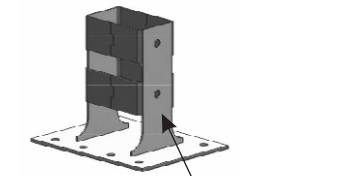
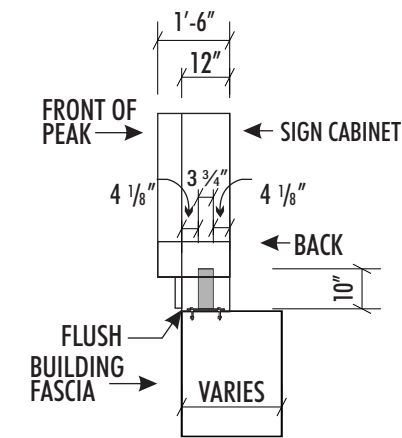
7923 E McKinney Street, Denton, TX 76208
 PHONE: (940) 382-8850 FAX: (940) 387-0429
 www.kssigngroup.com



11'-6 1/2" PEAK



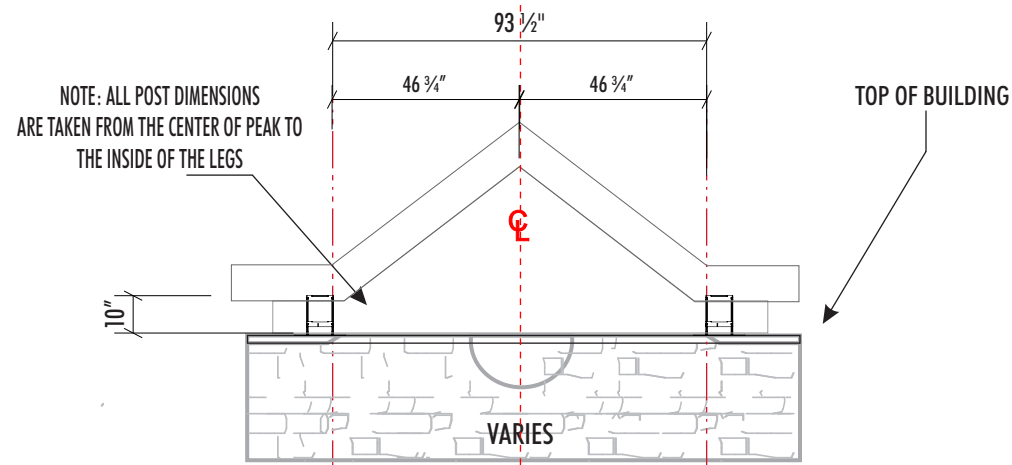
FABRICATED ROOF PEAK - (2 REQUIRED) PART # 509-8000-PEAK116
SCALE: 1/4" = 1'-0" PEAK C1 PEAK C2



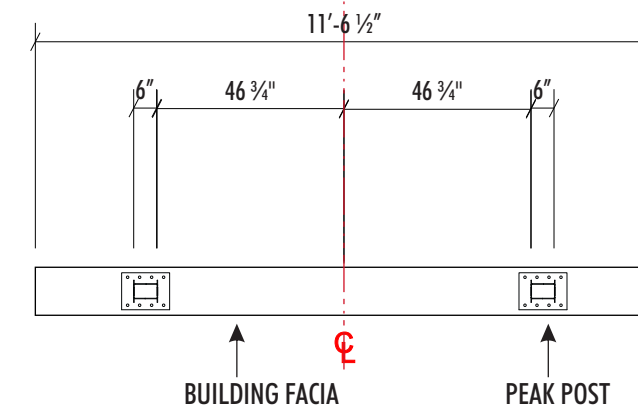
SHIP (8) 1/2" DIA. X 4" LONG GALV. LAG SCREWS PER POST

TOTAL (16) FOR THIS PEAK

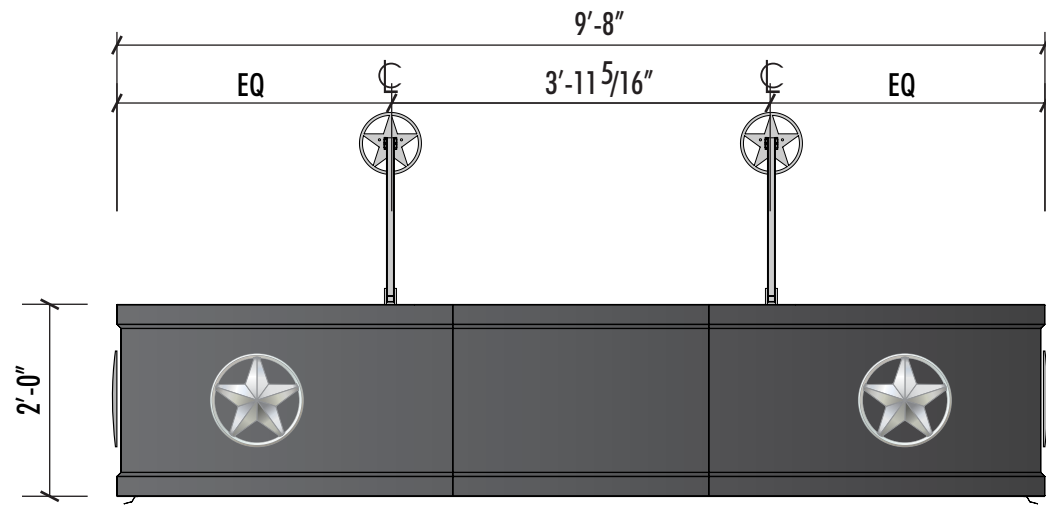
END VIEW PART # 509-8000-PP
SCALE: 1/2" = 1'-0"



ROOF PEAK
SCALE: 1/4" = 1'-0"



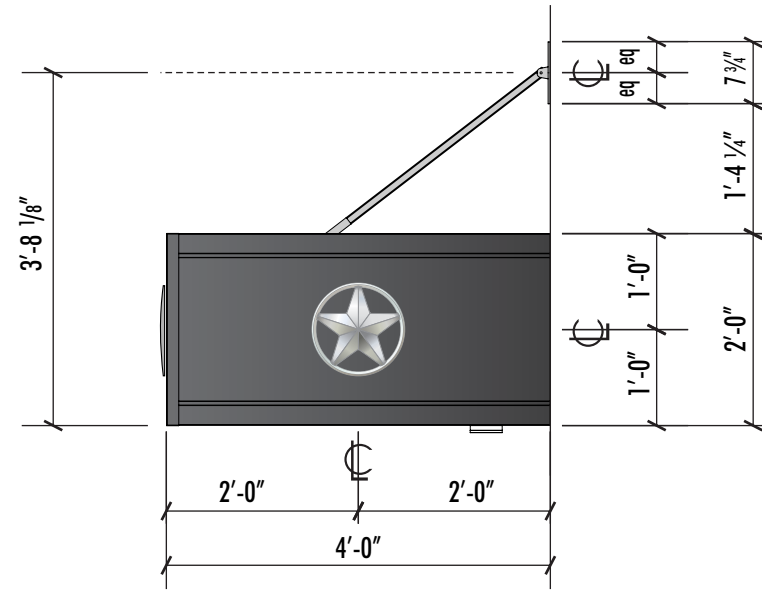
ROOF PEAK - PLAN VIEW
SCALE: 1/4" = 1'-0"



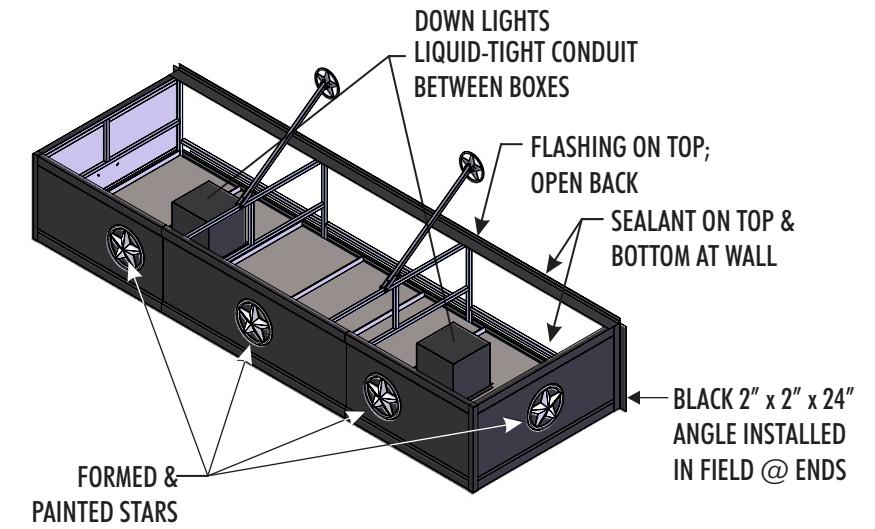
2 LIGHTS - 4 STARS

METAL BUILDING CANOPIES (FRONT VIEW) (2 REQUIRED)
SCALE: 1/2" = 1'-0"

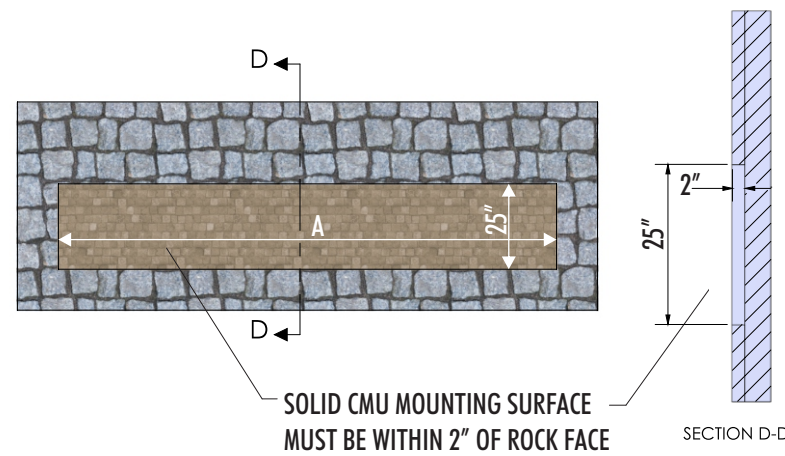
PART # 509-7100-098



METAL BUILDING CANOPY - END VIEW
SCALE: 1/2" = 1'-0"

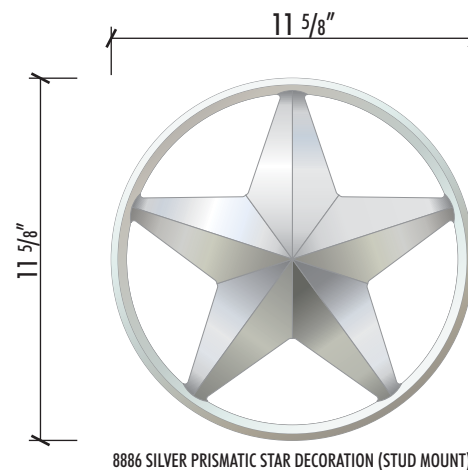


TYPICAL VIEW FROM ABOVE
SCALE: 1/2" = 1'-0"

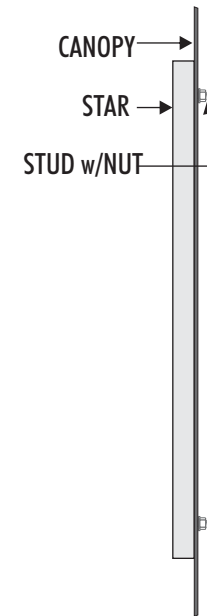


WALL LEAVE-OUT & SECTION
N.T.S.

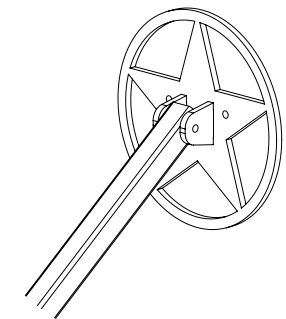
WALL LEAVE-OUT LENGTH			
CANOPY:	16'-0"	12'-0"	9'-8"
A	194"	146"	118"



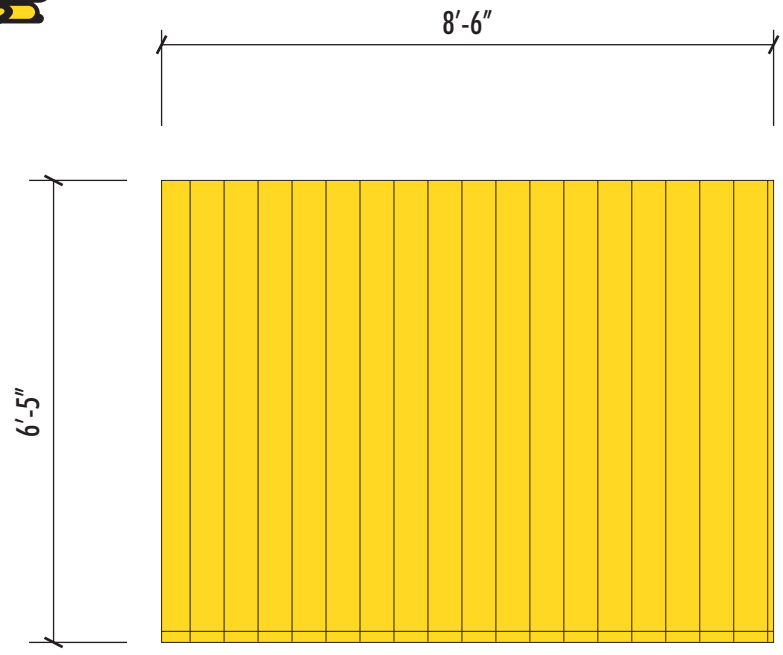
AR12 PRISMATIC STAR PART # 509-8000-STAR
SCALE: 3" = 1'-0"



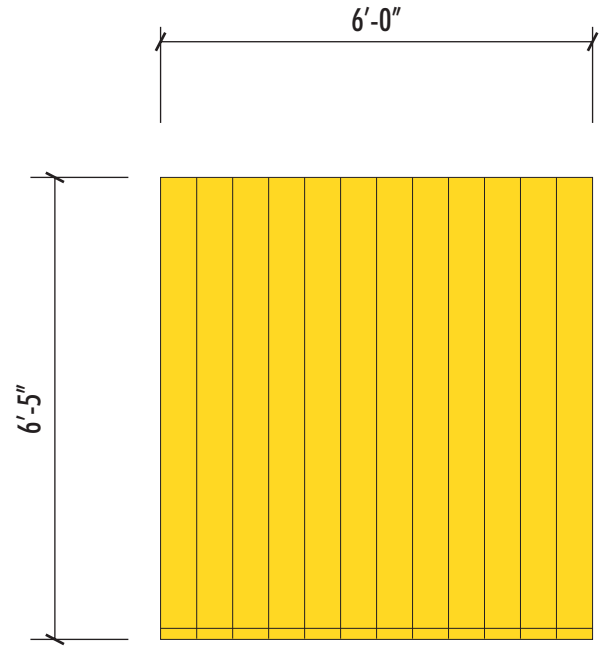
STAR END VIEW
SCALE: 3" = 1'-0"



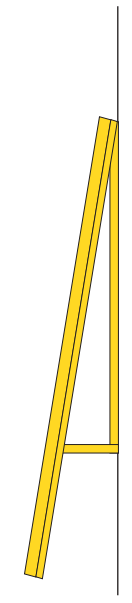
MOUNTING PLATE
N.T.S.



8'-6" PRE-COATED YELLOW METAL AWNING (4 REQUIRED)
SCALE: 3/8" = 1'-0"



6' PRE-COATED YELLOW AWNING (7 REQUIRED)
SCALE: 1/4" = 1'-0"

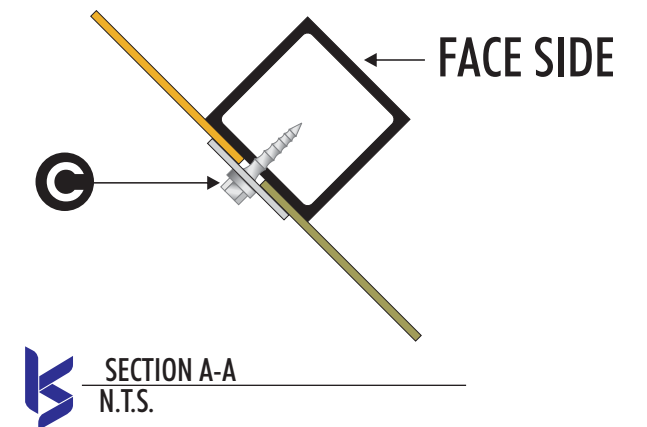
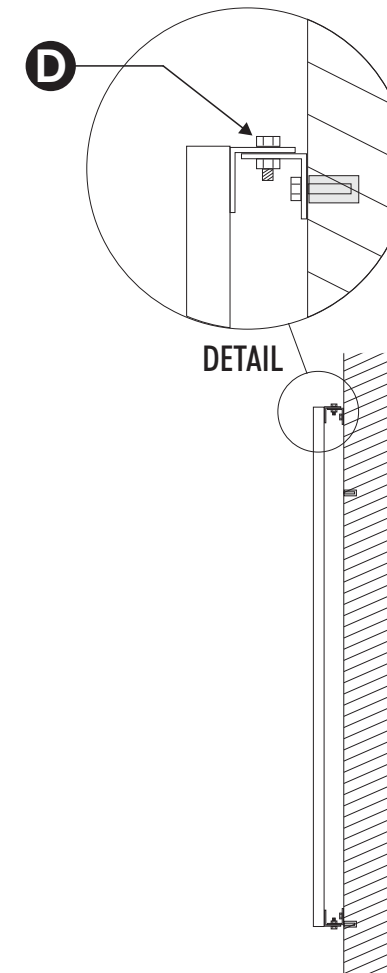
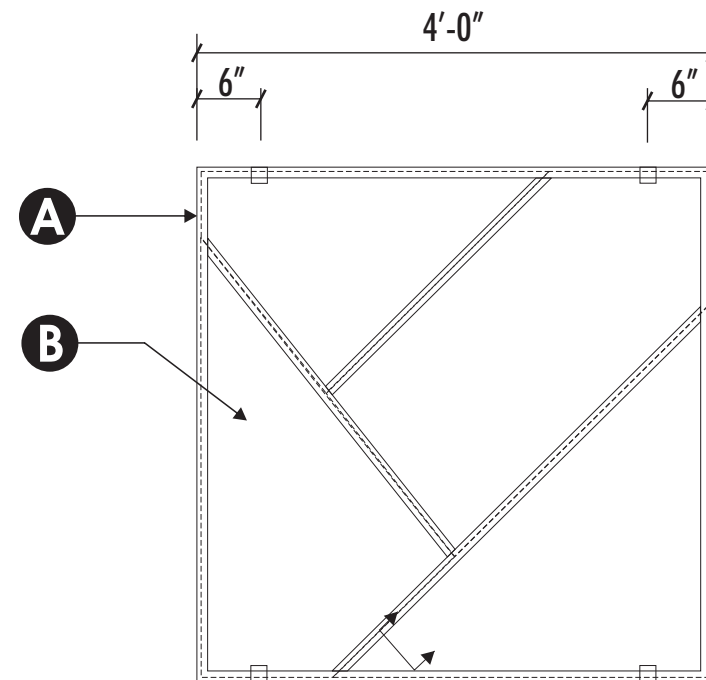
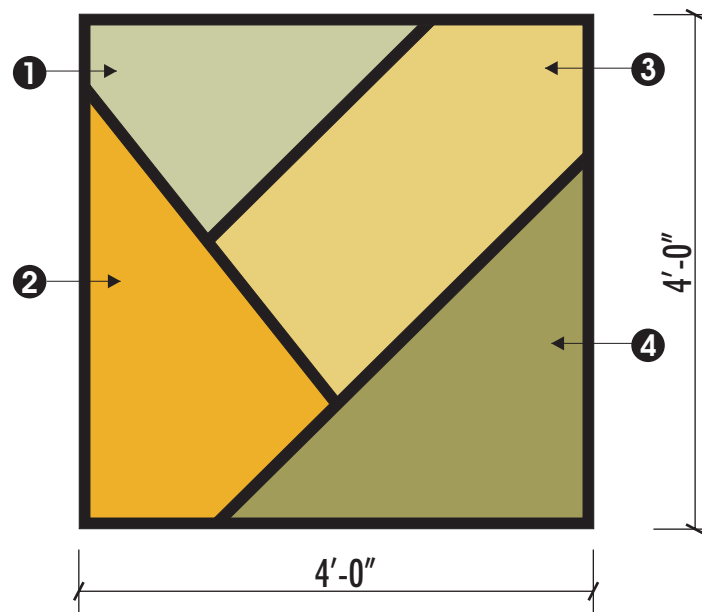


END VIEW
SCALE: 1/4" = 1'-0"

509-5000-48

PANEL COLORS - LOWES PAINT		
ITEM		COLOR
1	PMS 5787	
2	PMS 143	
3	PMS 7403	
4	PMS 5835	

WALL DECORATION	
ITEM	DESCRIPTION
A	1" ALUMINUM SQUARE TUBE PAINTED SEMI-GLOSS BLACK
B	.063 ALUMINUM PANEL DIGITALLY PRINTED ON FLAT BED (SEE LIST FOR COLORS)
C	PANELS ATTACHED TO BACK OF TUBES WITH TECH SCREWS AND WASHERS
D	CLIP MOUNTED WITH ALUM. CLIPS TO WALL

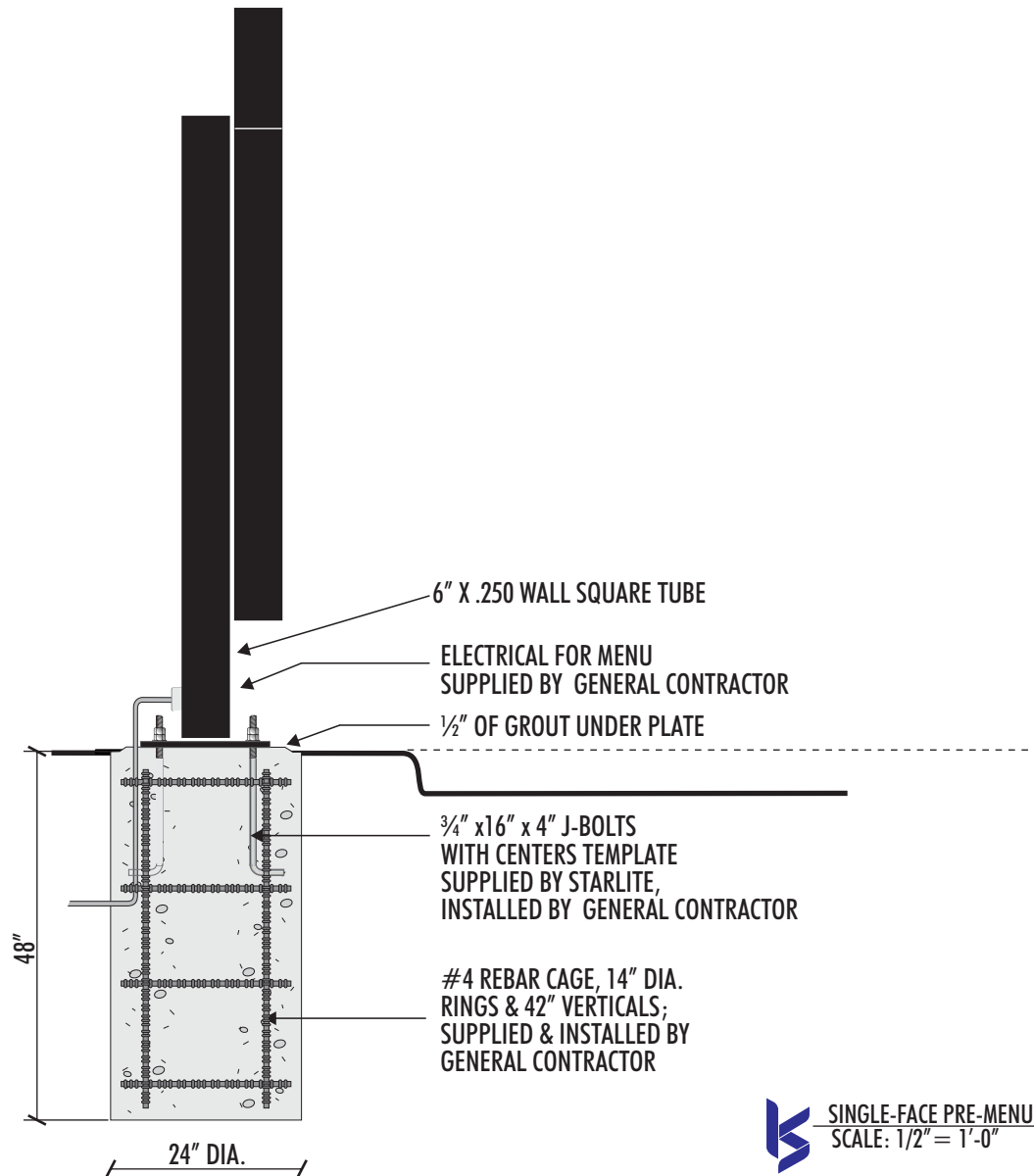


D48 WALL DECORATION (4 REQUIRED)
SCALE: 3/4" = 1'-0" PART # 509-5000-48

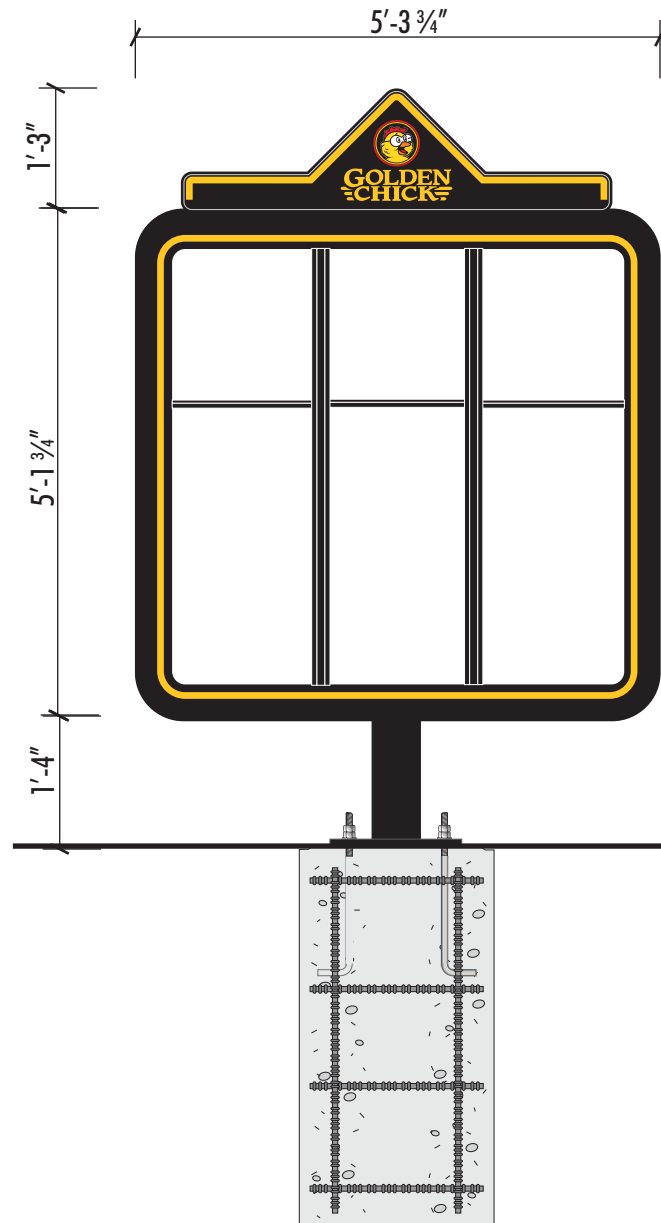
D48 STRUCTURE
SCALE: 3/4" = 1'-0"

D48 SECTION
SCALE: 3/4" = 1'-0"

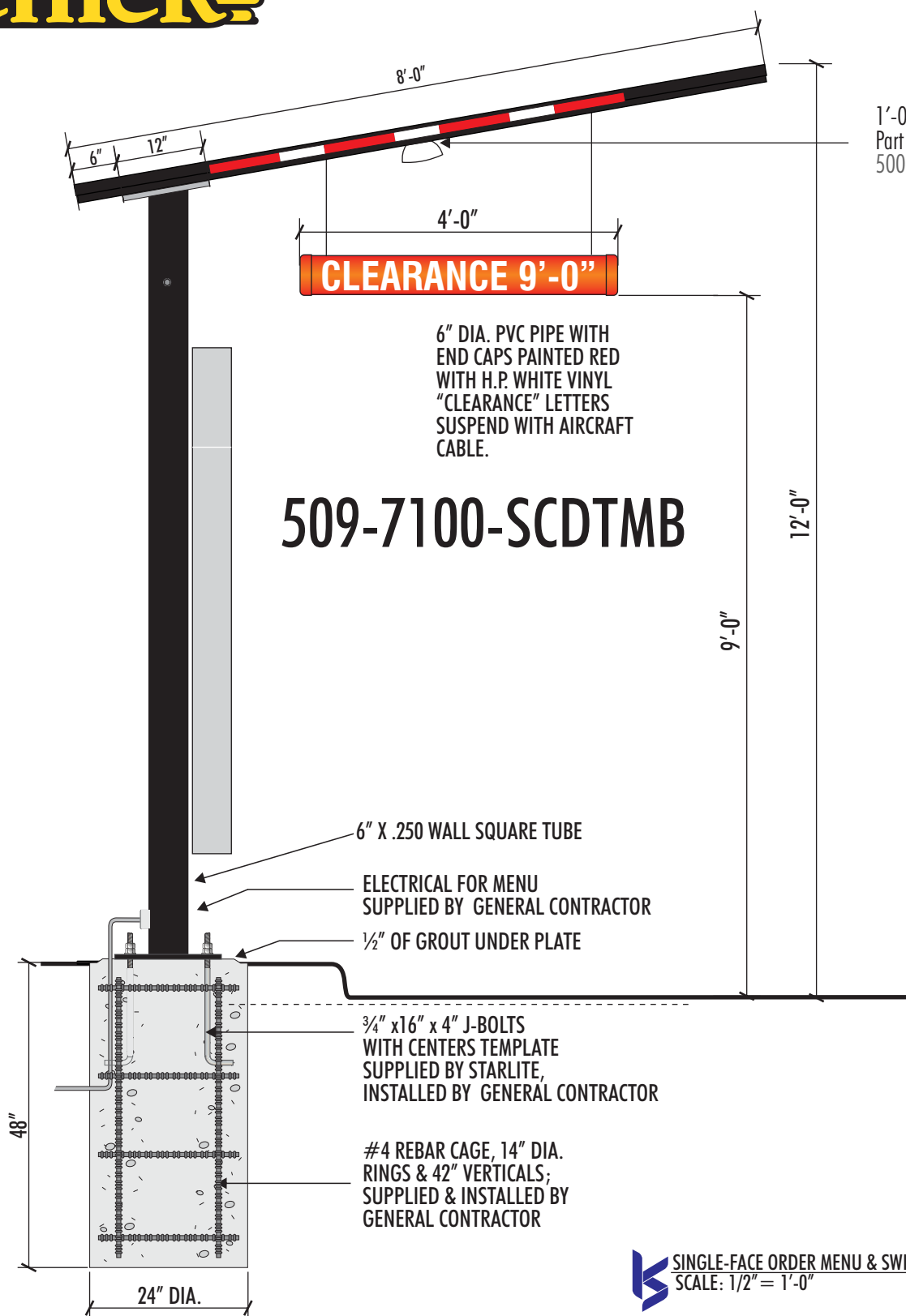
SCOPE OF WORK	
FREE-STANDING	
U	MFG. & INST. (1) PREVIEW MENU BOARD



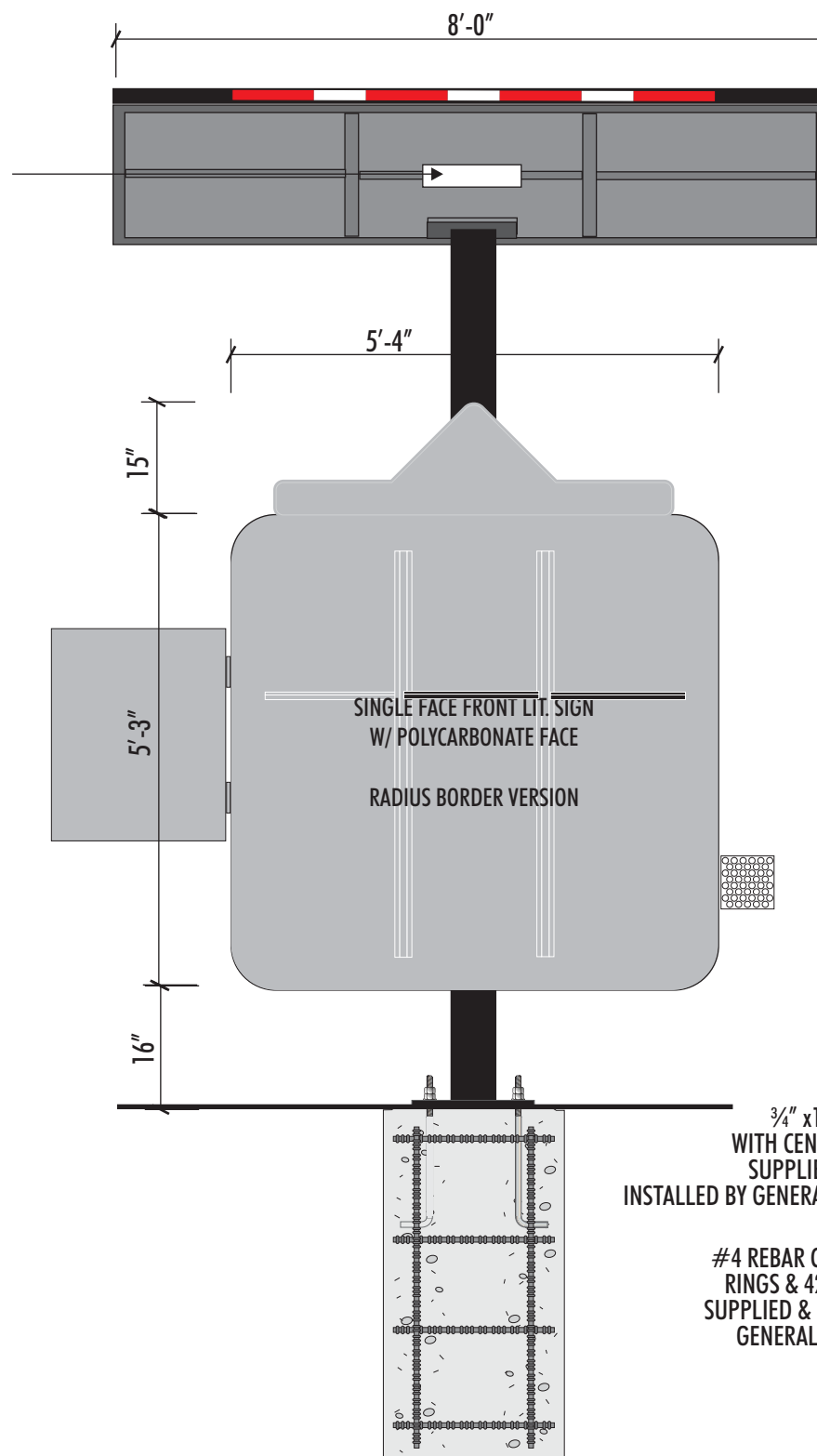
K SINGLE-FACE PRE-MENU BOARD
SCALE: 1/2" = 1'-0"



REVISIONS:	INITIALS & DATE:
A -	-
B -	-
C -	-
D -	-
E -	-
F -	-
G -	-
H -	-



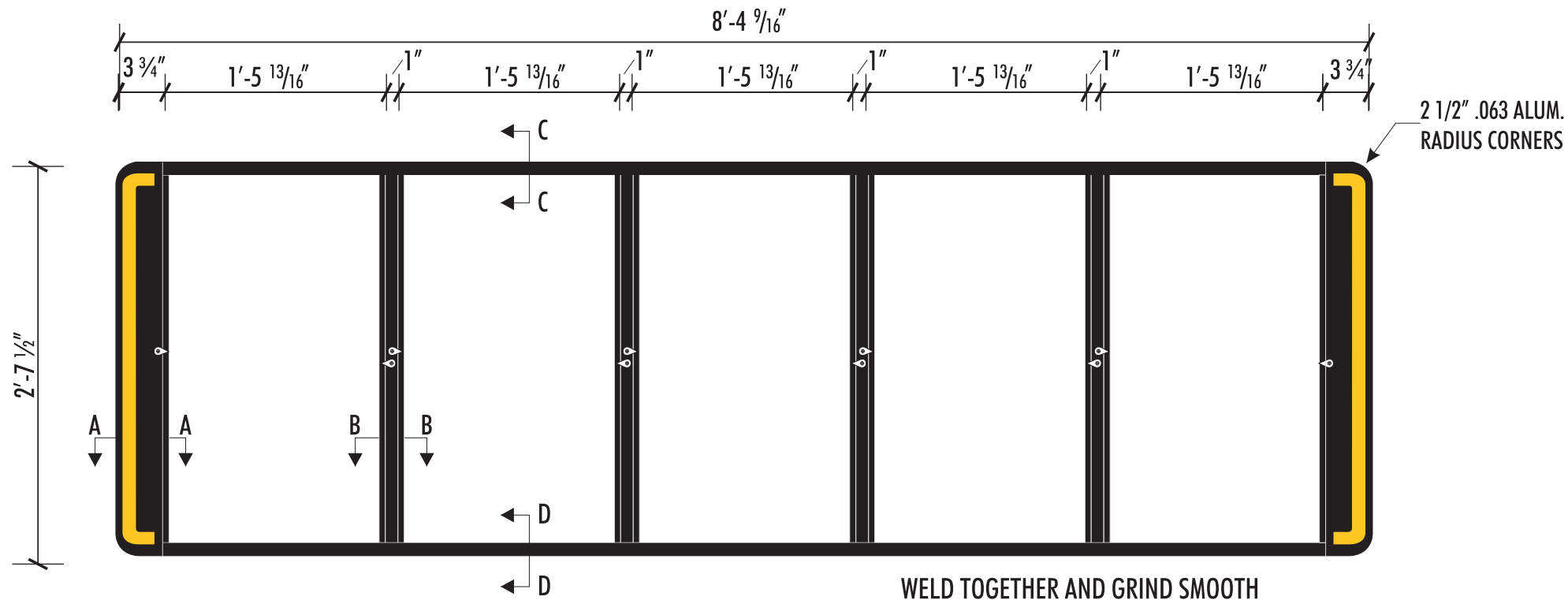
1'-0" long Sloan Hi-liner
Part number 1'-0"
5000 K. 701912-C1175



SCOPE OF WORK	
FREE-STANDING	
S	MFG. & INST. (1) DRIVE-THRU SWING-CANOPY

SINGLE-FACE ORDER MENU & SWING CANOPY ELEVATIONS
SCALE: 1/2" = 1'-0"

RADIUS CORNER VERSION



WELD TOGETHER AND GRIND SMOOTH
TOP AND BOTTOM FRAME PIECES, END PANELS
AND DIVIDERS. PAINT ALL SEMI-GLOSS BLACK

SCOPE OF WORK	
INTERIOR	
Z	MFG. & INST. (1) STANDARD INTERIOR MENU BOARD

509-2100-IM31 - FRAME LAYOUT
SCALE: 3/4" = 1'-0"

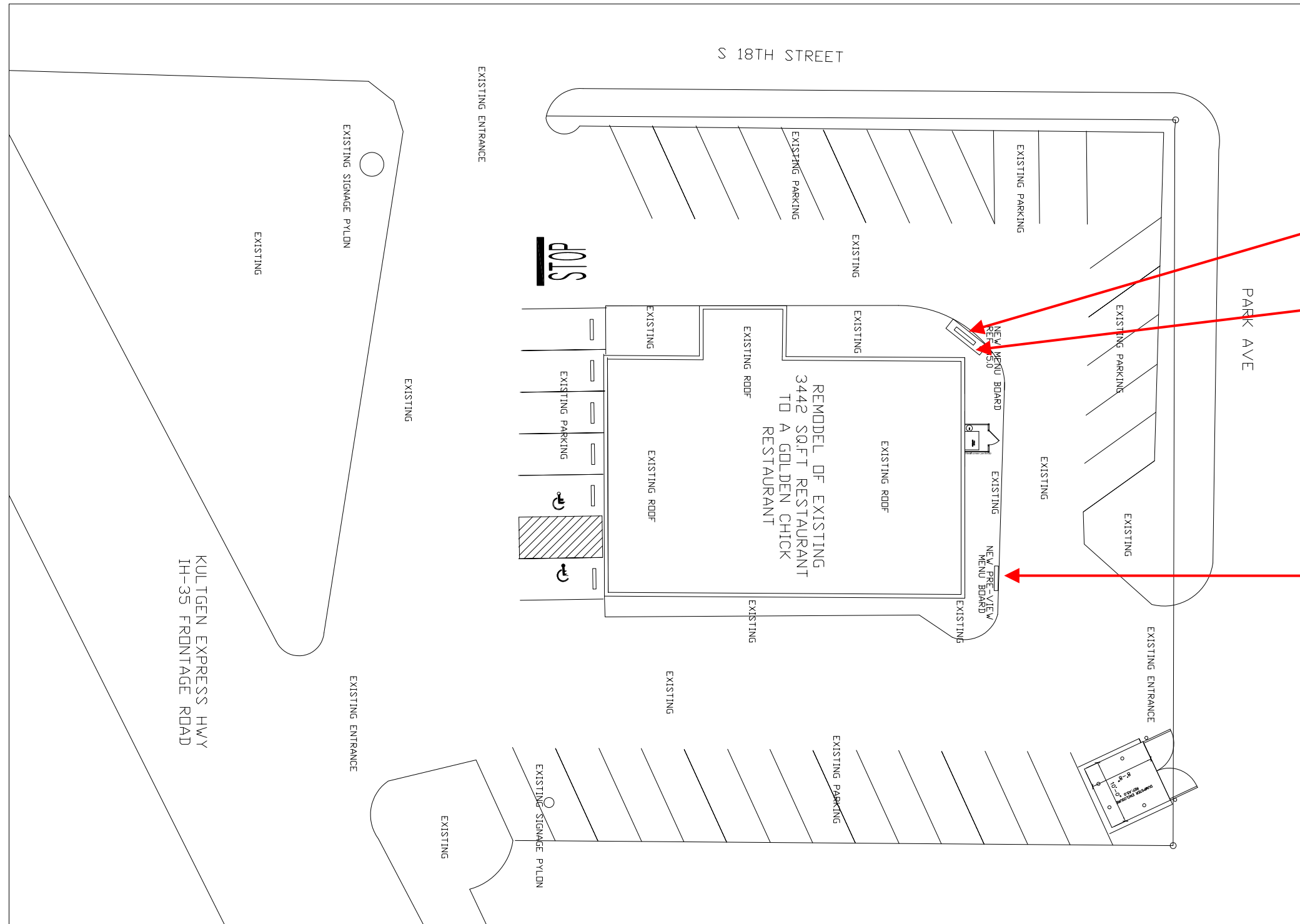


REVISIONS:	INITIALS & DATE:
A -	-
B -	-
C -	-
D -	-
E -	-
F -	-
G -	-
H -	-

This is an original unpublished drawing submitted for use in connection with a project being planned for you by Kieffer Holding Co. It is not to be reproduced, copied or exhibited in any fashion without the written permission of Kieffer Holding Company.

7923 E McKinney Street, Denton, TX 76208
PHONE: (940) 382-8850 FAX: (940) 387-0429
www.kssigngroup.com





MENU BOARD **SIGN T**

SWING CANOPY **SWING S**

PRE-MENU BOARD **SIGN U**



ACCOUNT: Golden Chick
 LOCATION: 18th St. & I-35, Waco, TX
 ACCT. REP: Brian Oster DESIGNER: L. Nichols
 DATE: 09-21-18
 COMPANION FILES _____



REVISIONS:	INITIALS & DATE:
A	_____
B	_____
C	_____
D	_____
E	_____
F	_____
G	_____
H	_____

This is an original unpublished drawing submitted for use in connection with a project being planned for you by Kieffer Holding Co. It is not to be reproduced, copied or exhibited in any fashion without the written permission of Kieffer Holding Company.

7923 E McKinney Street, Denton, TX 76208
 PHONE: (940) 382-8850 FAX: (940) 387-0429
 www.kssigngroup.com

