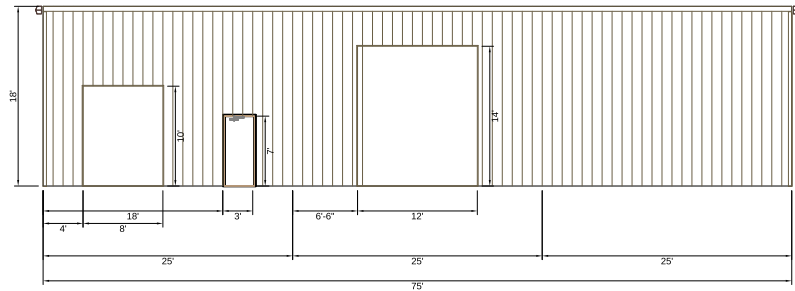
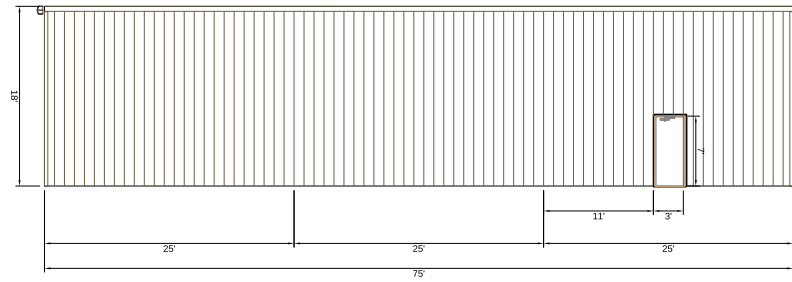


NOT FOR CONSTRUCTION

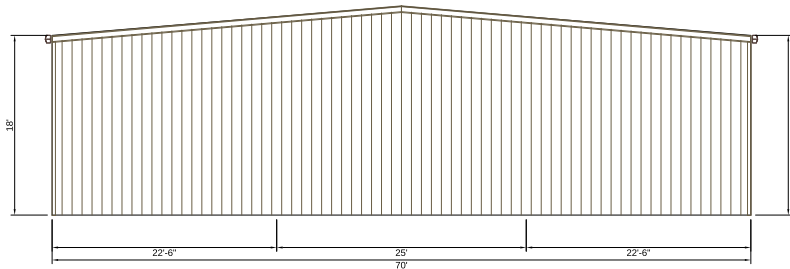
Front Wall



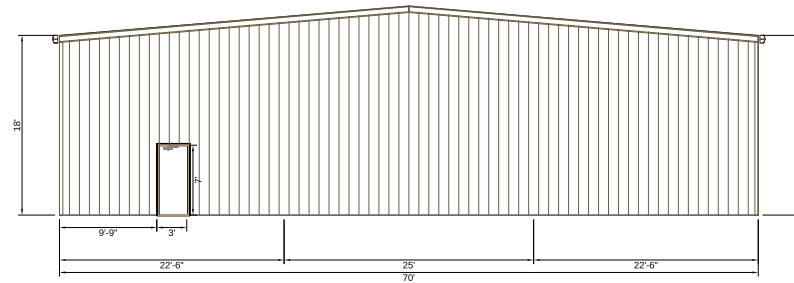
Back Wall



Left Wall



Right Wall



This drawing is not for construction. This drawing is intended to depict general building information and is solely for sales presentation purposes. For clarity of presentation, items depicted may be different from actual design and final drawings. In the event of conflict between this drawing and the purchase order, the purchase order shall prevail.

ARCHITECTURAL - (A) 70x75x18

13105 Northwest Fwy #500,
Houston, TX 77040

Contractor:
Renee Rogers
500 South Pentz Street
Dallas, GA 30120

FORTIFY
HERITAGE
GENE ROGERS BUILDERS LLC

CONTRACT:
COUNTY:

Scale: NOT TO SCALE
VERSION: ABS 2.0.3
ESTIMATOR: Caleb Rogers

PAPER SIZE: 22x34
DATE: 3/3/2025

JOB NAME:
HBS-CR-2422884
2/25/25

MEMBER

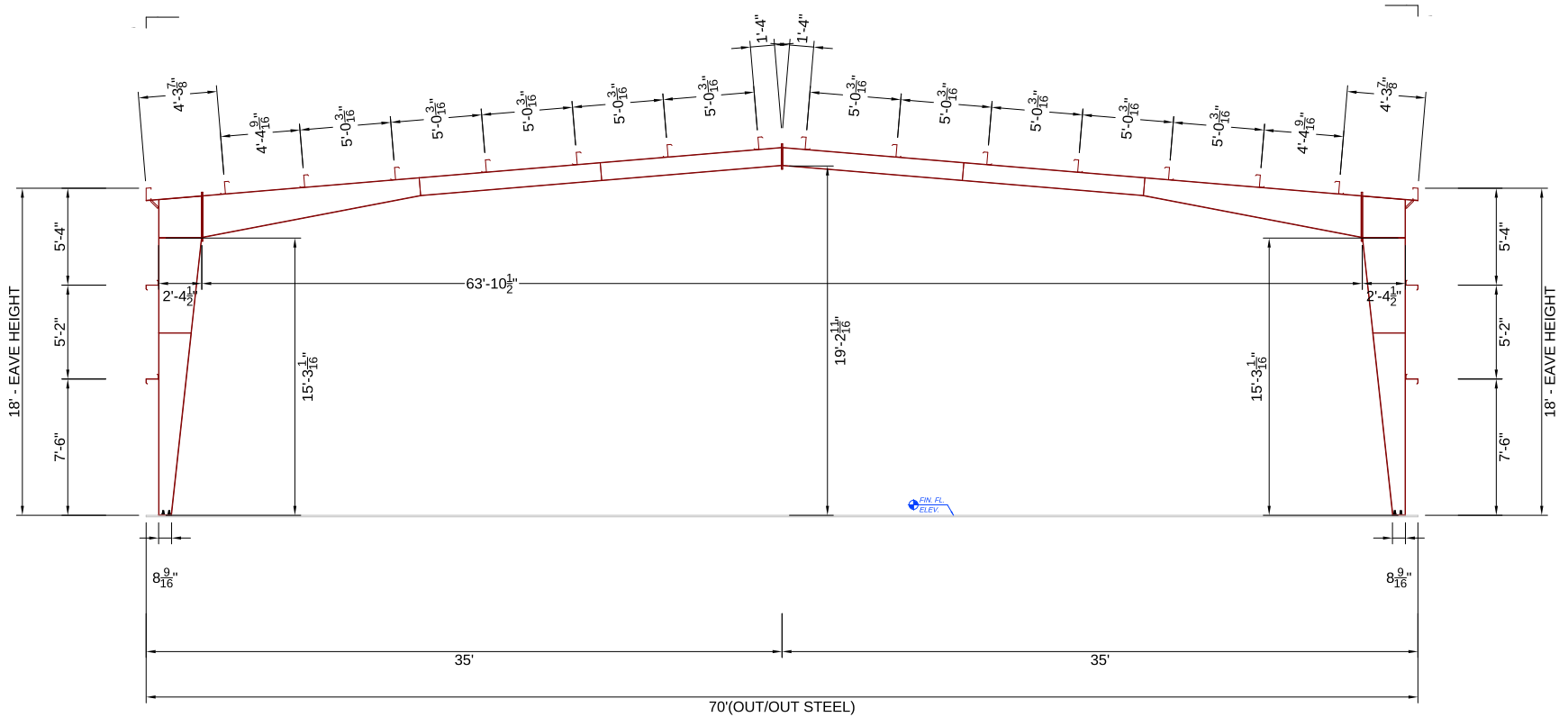


The engineer whose seal appears hereon is an employee for the manufacturer for the materials described herein. Said seal or certification is limited to the products designed and manufactured by manufacturer only. The undersigned engineer is not the overall engineer of record for this project.

For Construction Permit
 For Enclosure Installation

Preliminary
 For Approval

NOT FOR CONSTRUCTION



CROSS SECTION AT FRAME LINES "2-3" - (A) 70x75x18

This drawing is not for construction. This drawing is intended to depict general building information and is solely for sales presentation purposes. For clarity of presentation, items depicted may be different from actual design and final drawings. In the event of conflict between this drawing and the purchase order, the purchase order shall prevail.

DESIGNS SHOWN ARE BASED ON THE BASIC BUILDING ITSELF. THEY DO NOT INCLUDE LOADS FROM ANY BUILDING OPTIONS OR ANY OTHER MATERIAL.
FRAME CLEARANCES SHOWN ARE APPROXIMATE AND MAY VARY DUE TO FIELD CONDITIONS AND LOADS.
VERTICAL CLEARANCE DIMENSIONS ARE FROM FINISHED FLOOR REFERENCE ELEVATION.

ELZ - ELIZABETHTON, TN

MANUFACTURER RESERVES THE RIGHT TO CHANGE THE FINAL DESIGN IF DESIGN INFORMATION (IE CLEARANCES, BASE PLATE/ANCHOR ROD DESIGN) IS TO BE USED FOR CONSTRUCTION MANUFACTURER MUST BE NOTIFIED PRIOR TO ACCEPTANCE OF ORDER.

CONTACT SALES ENGINEER FOR REVIEW BEFORE USING THIS INFORMATION FOR CONSTRUCTION

IT IS THE BUILDERS RESPONSIBILITY TO COMMUNICATE TO MANUFACTURER THE NEED TO HOLD TO ANY PRELIMINARY DESIGN INFORMATION PROVIDED BY MANUFACTURER! MANUFACTURER WILL NOT BE LIABLE FOR ANY CHANGES IN FINAL DESIGN IF THE BUILDER DOES NOT COMMUNICATE TO MANUFACTURER!

ENGINEERING CERTIFICATION OF MATERIALS SUPPLIED BY MANUFACTURER WILL BE PROVIDED BY SEAL AND SIGNATURE OF LICENSED ENGINEER ON FINAL ERECTION DRAWINGS.

133105 Northwest Fwy #500,
Houston, TX 77040



CONTRACT:
GENIE ROGERS BUILDERS LLC
COUNTY:

Scale: NOT TO SCALE
VERSION: ABS 2.0.3 PAPER SIZE: 22x34
ESTIMATOR: Calotti Rogers DATE: 3/3/2025

JOB NAME:
HBS-CR-2422884

2/25/16

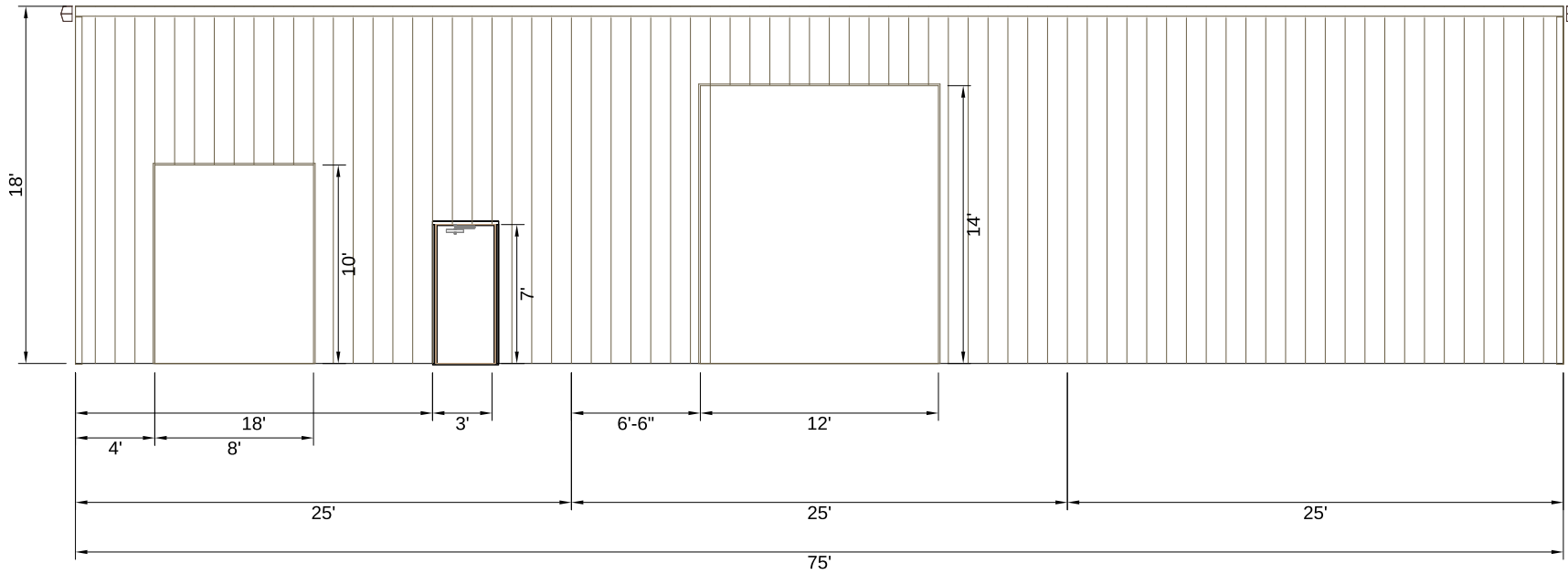
MEMBER



The engineer whose seal appears hereon is an employee for the manufacturer for the materials described herein. Said seal or certification is limited to the products designed and manufactured by manufacturer only. The undersigned engineer is not the overall engineer of record for this project.

Drawings Status: Preliminary For Approval For Construction Permit For Erection/Installation

NOT FOR CONSTRUCTION



This drawing is not for construction. This drawing is intended to depict general building information and is solely for sales presentation purposes. For clarity of presentation, items depicted may be different from actual design and final drawings. In the event of conflict between this drawing and the purchase order, the purchase order shall prevail.

FRONT ARCHITECTURAL - (A) 70x75x18

132105 Northwest Fwy #500,
Houston, TX 77040

Contractor:
Rene Rogers
500 South Prentz Street
Dallas, GA 30120

PROJECT:
GENE ROGERS BUILDERS LLC
COUNTY:

Scale: NOT TO SCALE
VERSION: ABS 2.0.3
ESTIMATOR: Caleb Rogers
JOB NAME: HBS-CR-2422884
2/25/25

DATE: 3/3/2025

MEMBER

The engineer whose seal appears hereon is an employee for the manufacturer for the materials described herein. Said seal or certification is limited to the products designed and manufactured by manufacturer only. The undersigned engineer is not the overall engineer of record for this project.

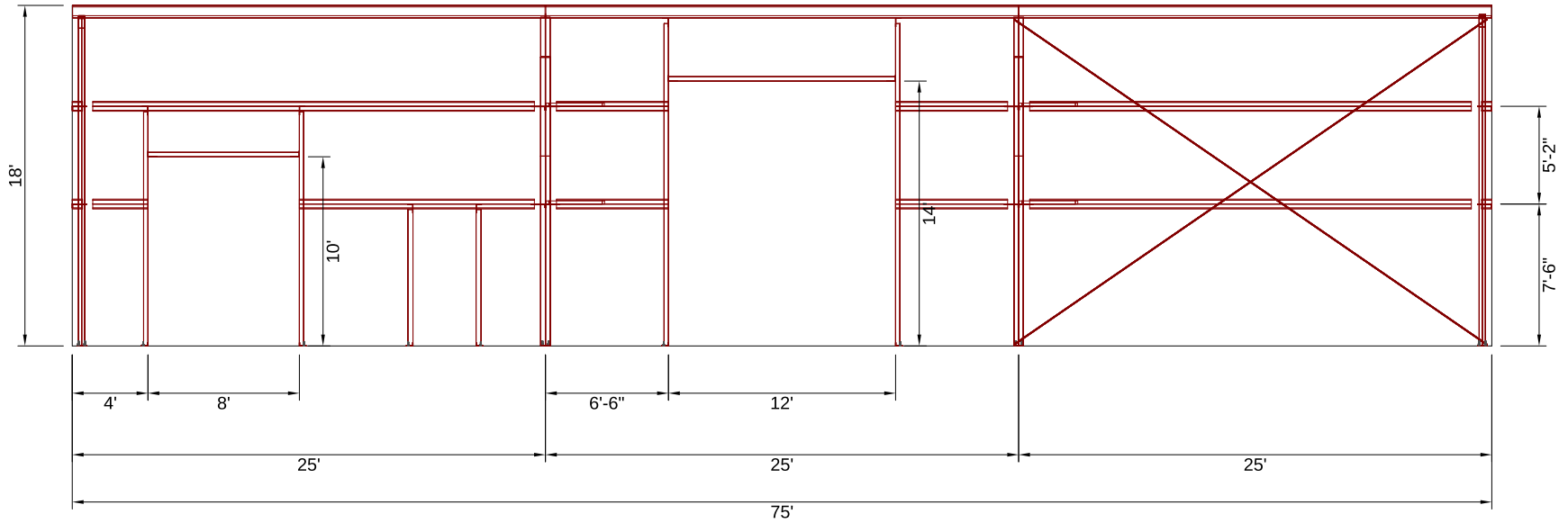


Drawings Status: Preliminary For Approval



The engineer whose seal appears hereon is an employee for the manufacturer for the materials described herein. Said seal or certification is limited to the products designed and manufactured by manufacturer only. The undersigned engineer is not the overall engineer of record for this project.

NOT FOR CONSTRUCTION

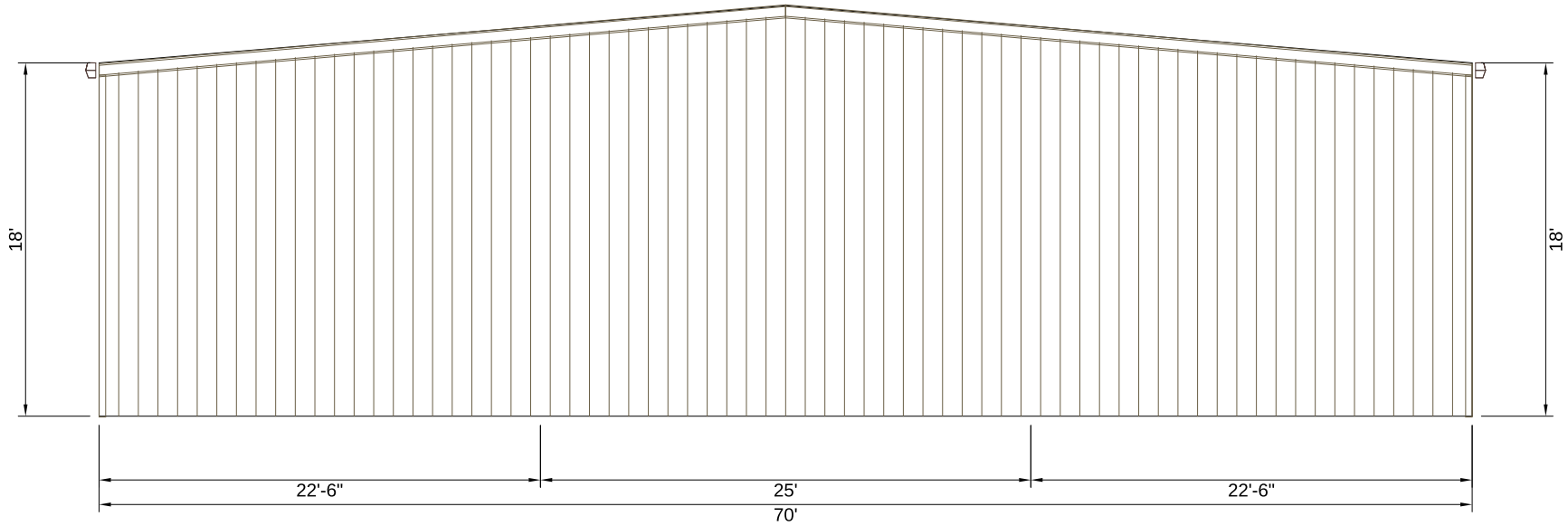


This drawing is not for construction. This drawing is intended to depict general building information and is solely for sales presentation purposes. For clarity of presentation, items depicted may be different from actual design and final drawings. In the event of conflict between this drawing and the purchase order, the purchase order shall prevail.

FRONT STRUCTURAL ELEVATION - (A) 70x75x18

132105 Northwest Fwy #501, Houston, TX 77040	
FORTIFY A MEMBER OF THE ROYAL ARCHITECTURAL INSTITUTE OF AMERICA	CONTRACTOR: Gene Rogers 500 South Peetz Street Dallas, GA 30720
PROJECT: GENE ROGERS BUILDERS LLC	COUNTY: [Blank]
DRAWING STATUS: <input type="checkbox"/> Preliminary <input type="checkbox"/> Final/Approved	<input type="checkbox"/> For Construction Permit <input type="checkbox"/> For Enclosure Installation
Scale: NOT TO SCALE VERSION: ABS 2.0.3 PAPER SIZE: 22x34	ESTIMATOR: Caleb Rogers DATE: 3/3/025
JOB NAME: HBS-CR-2422884 MEMBER NUMBER: 205156	
The engineer whose seal appears hereon is an employee for the manufacturer for the materials described herein. Said seal or certification is limited to the products designed and manufactured by manufacturer only. The undersigned engineer is not the overall engineer of record for this project.	

NOT FOR CONSTRUCTION



This drawing is not for construction. This drawing is intended to depict general building information and is solely for sales presentation purposes. For clarity of presentation, items depicted may be different from actual design and final drawings. In the event of conflict between this drawing and the purchase order, the purchase order shall prevail.

LEFT ARCHITECTURAL - (A) 70x75x18

13105 Northwest Fwy #501,
Houston, TX 77040



Contractor:
Rene Rogers
500 South Penz Street
Dublin, GA 30120

CONTRACT:
GENE ROGERS BUILDERS LLC
COUNTY:

For Construction Permit
 For Enclosure Installation

Preliminary
 For Approval

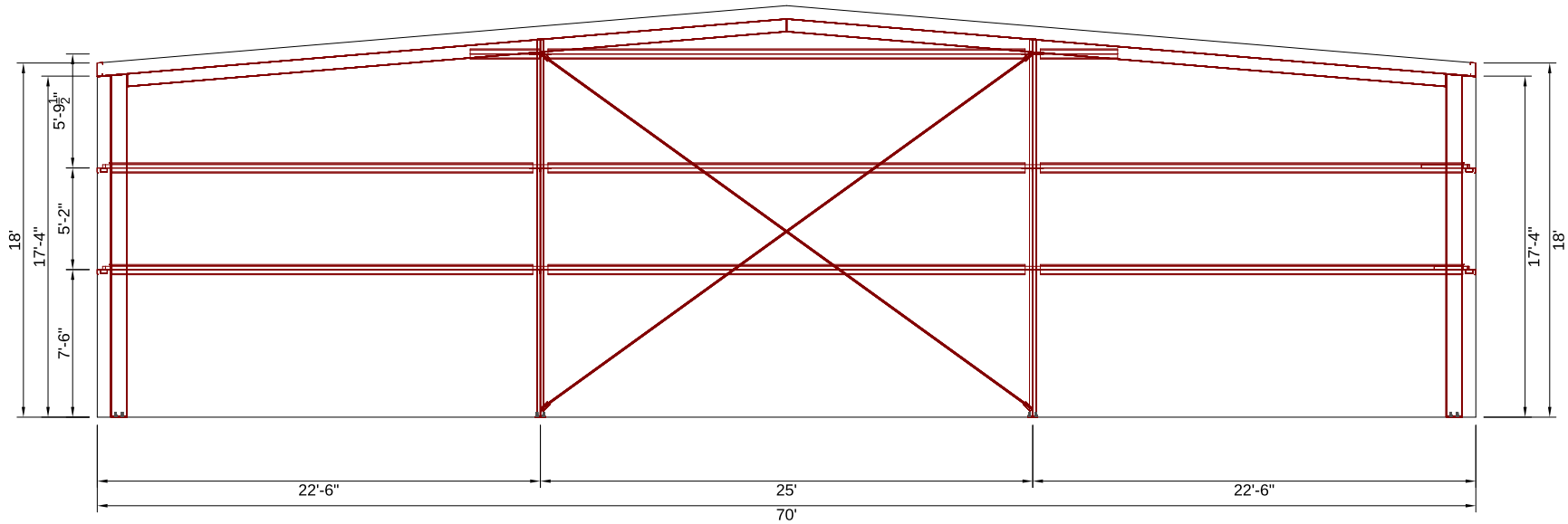
Scale: NOT TO SCALE
VERSION: ABS 2.0.3 PAPER SIZE: 22x34
ESTIMATOR: Caleb Rogers DATE: 3/3/2025

JOB NAME:
HBS-CR-2422884
2/25/16



The engineer whose seal appears hereon is an employee for the manufacturer for the materials described herein. Said seal or certification is limited to the products designed and manufactured by manufacturer only. The undersigned engineer is not the overall engineer of record for this project.

NOT FOR CONSTRUCTION



This drawing is not for construction. This drawing is intended to depict general building information and is solely for sales presentation purposes. For clarity of presentation, items depicted may be different from actual design and final drawings. In the event of conflict between this drawing and the purchase order, the purchase order shall prevail.

LEFT STRUCTURAL ELEVATION - (A) 70x75x18

133105 Northwest Fwy #501,
Houston, TX 77040



Contractor:
Gene Rogers
500 South Penz Street
Dulles, GA 30120

CONTRACT:
GENIE ROGERS BUILDERS LLC
COUNTY:

For Construction Permit
 For Abandonment
 For Abandonment
 For Abandonment

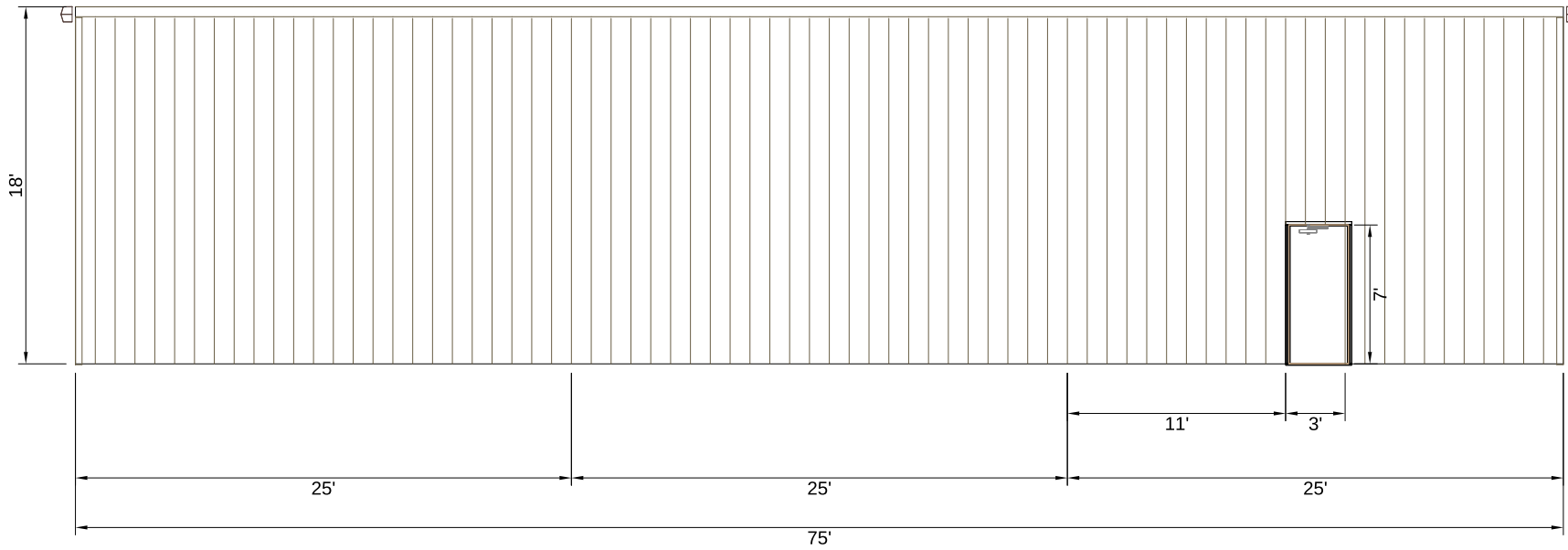
Scale: NOT TO SCALE
 VERSION: ABS 2.0.3 PAPER SIZE: 22x34
 ESTIMATOR: Caleth Rogers DATE: 3/3/025

JOB NAME:
HBS-CR-2422884
2/05156



The engineer whose seal appears hereon is an employee for the manufacturer for the materials described herein. Said seal or certification is limited to the products designed and manufactured by manufacturer only. The undersigned engineer is not the overall engineer of record for this project.

NOT FOR CONSTRUCTION



This drawing is not for construction. This drawing is intended to depict general building information and is solely for sales presentation purposes. For clarity of presentation, items depicted may be different from actual design and final drawings. In the event of conflict between this drawing and the purchase order, the purchase order shall prevail.

BACK ARCHITECTURAL - (A) 70x75x18

13105 Northwest Fwy #501
Houston, TX 77040



CONTRACTOR:
GENE ROGERS BUILDERS LLC
COUNTY:

ESTIMATOR:
Gene Rogers
500 South Peetz Street
Dublin, GA 30120

For Construction Permit
 For Enclosure Installation

Preliminary
 For Approval

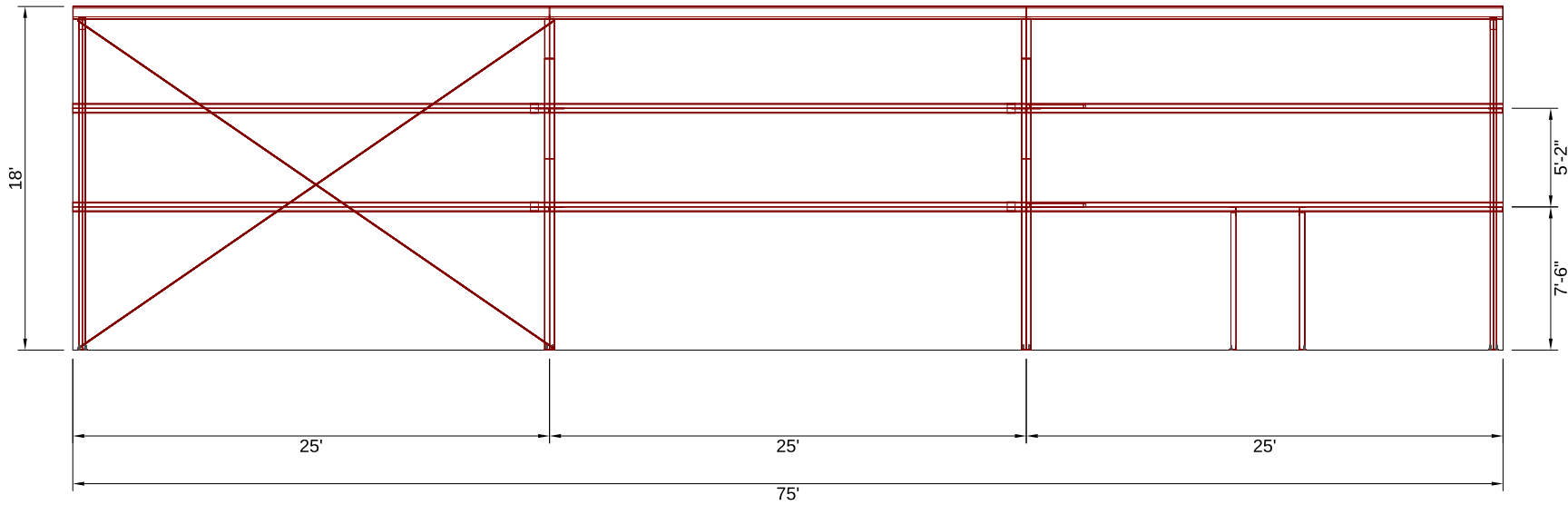
Scale: NOT TO SCALE
VERSION: ABS 2.0.3 PAPER SIZE: 22x34
ESTIMATOR: Gene Rogers DATE: 3/3/2025

JOB NAME: HBS-CR-2422884
2/25/16



The engineer whose seal appears hereon is an employee for the manufacturer for the materials described herein. Said seal or certification is limited to the products designed and manufactured by manufacturer only. The undersigned engineer is not the overall engineer of record for this project.

NOT FOR CONSTRUCTION



This drawing is not for construction. This drawing is intended to depict general building information and is solely for sales presentation purposes. For clarity of presentation, items depicted may be different from actual design and final drawings. In the event of conflict between this drawing and the purchase order, the purchase order shall prevail.

BACK STRUCTURAL ELEVATION - (A) 70x75x18

133105 Northwest Fwy #500,
Houston, TX 77040



Contractor:
Rene Rogers
500 South Pentz Street
Dallas, GA 30120

CONTRACT:
GENIE ROGERS BUILDERS LLC
COUNTY:

For Construction Permit
 For Enclosure Installation

Drawings Status: Preliminary For Approval

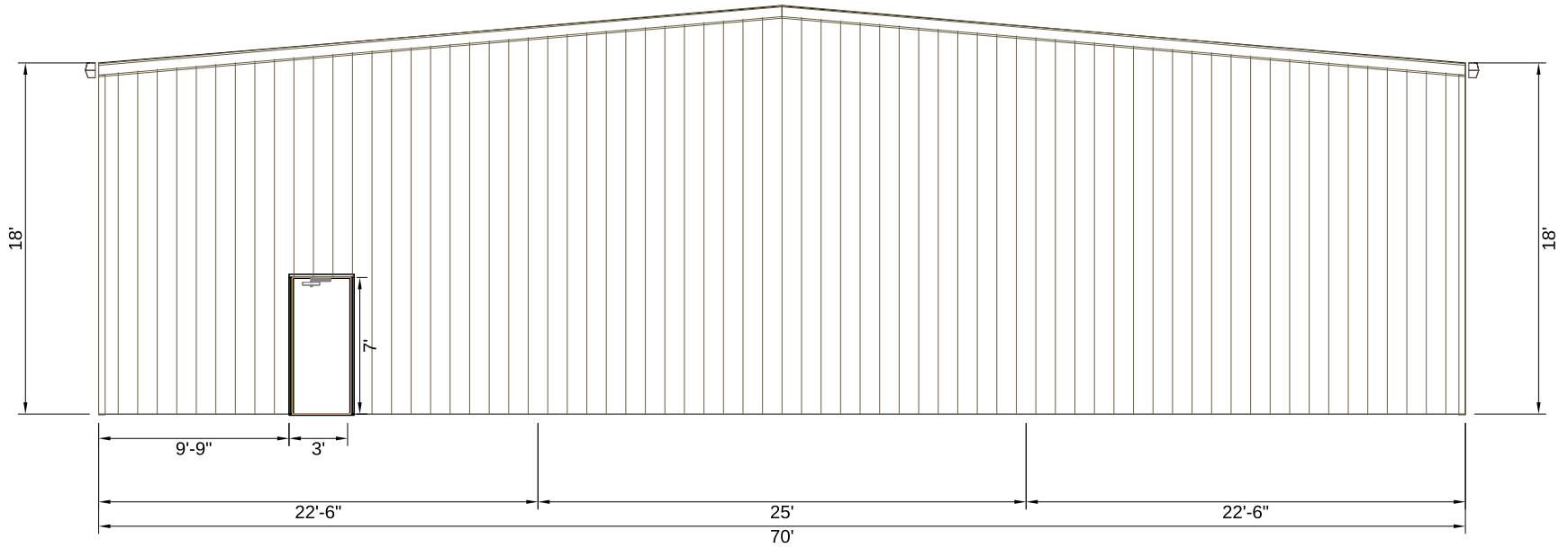
Scale:	NOT TO SCALE	
VERSION:	ABS 2.0.3	PAPER SIZE: 22x34
ESTIMATOR OR Caleb Rogers	DATE	3/3/025

JOB NAME
HBS-CR-2422894
2/25/16



The engineer whose seal appears hereon is an employee for the manufacturer for the materials described herein. Said seal or certification is limited to the products designed and manufactured by manufacturer only. The undersigned engineer is not the overall engineer of record for this project.

NOT FOR CONSTRUCTION



This drawing is not for construction. This drawing is intended to depict general building information and is solely for sales presentation purposes. For clarity of presentation, items depicted may be different from actual design and final drawings. In the event of conflict between this drawing and the purchase order, the purchase order shall prevail.

RIGHT ARCHITECTURAL - (A) 70x75x18

13105 Northwest Fwy #501 Houston, TX 77040	
FORTIFY <small>HERITAGE</small>	CONTACT: Gene Rogers 500 South Peetz Street Dallas, GA 30120
CLIENT: GENE ROGERS BUILDERS LLC	COUNTY: <input type="checkbox"/> Cherokee <input type="checkbox"/> Chatahoochee <input type="checkbox"/> Coweta <input type="checkbox"/> DeKalb <input type="checkbox"/> Douglas <input type="checkbox"/> Fayette <input type="checkbox"/> Forsyth <input type="checkbox"/> Fulton <input type="checkbox"/> Gwinnett <input type="checkbox"/> Heard <input type="checkbox"/> Henry <input type="checkbox"/> Jones <input type="checkbox"/> Lincoln <input type="checkbox"/> Lumpkin <input type="checkbox"/> Macon <input type="checkbox"/> Meriwether <input type="checkbox"/> Mitchell <input type="checkbox"/> Newton <input type="checkbox"/> Oconee <input type="checkbox"/> Oglethorpe <input type="checkbox"/> Paulding <input type="checkbox"/> Pickens <input type="checkbox"/> Spalding <input type="checkbox"/> Wilkes <input type="checkbox"/> Wilcox
Scale: NOT TO SCALE VERSION: ABS 2.0.3 ESTIMATOR: Carole Rogers JOB NAME: HBS-CR-2422884 2/25/25	PAPER SIZE: 22x34 DATE: 3/3/2025
MEMBER 	
The engineer whose seal appears hereon is an employee for the manufacturer for the materials described herein. Said seal or certification is limited to the products designed and manufactured by manufacturer only. The undersigned engineer is not the overall engineer of record for this project.	

