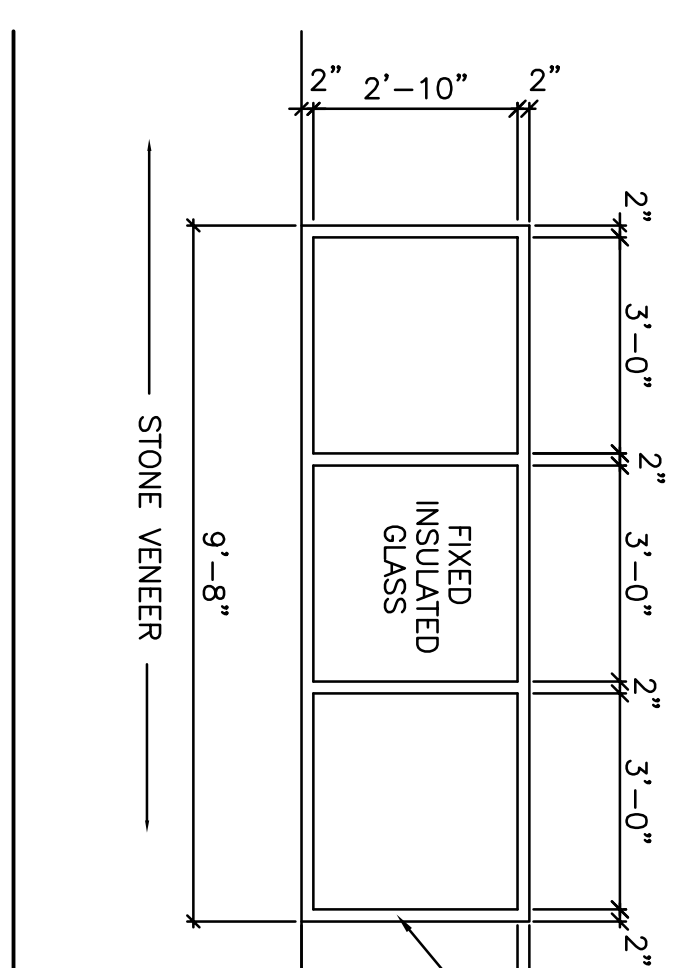
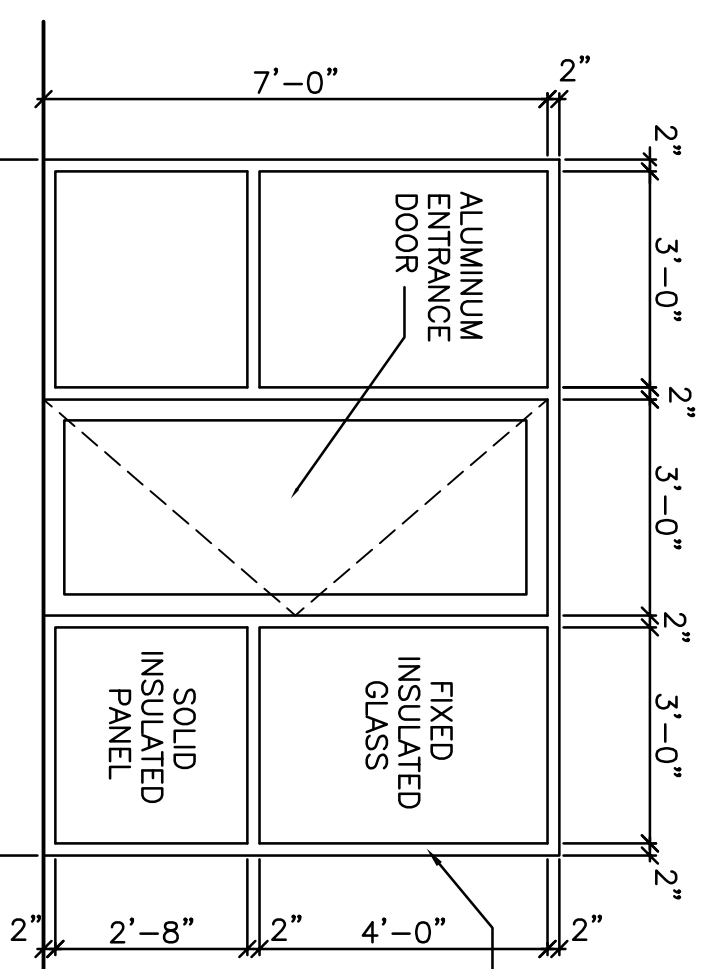


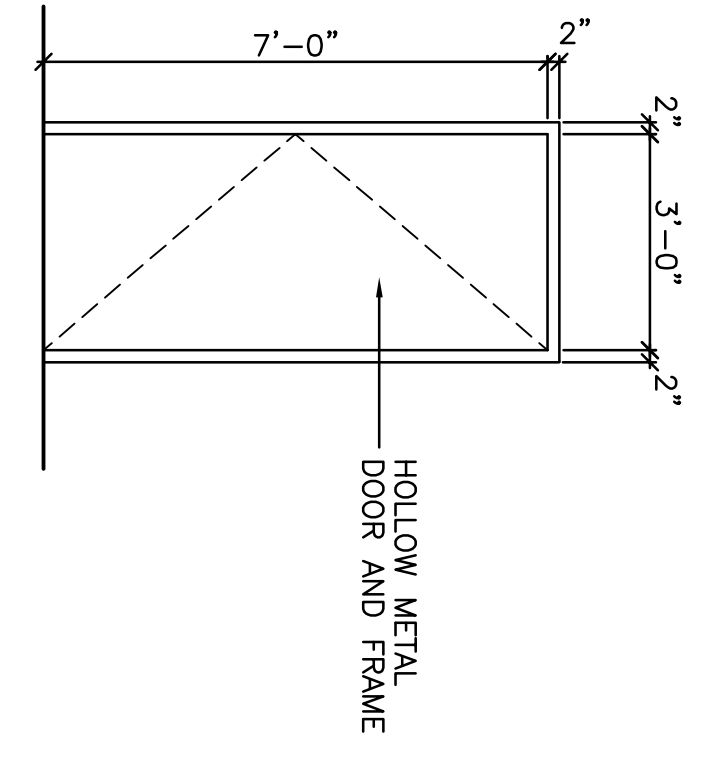
FLOOR PLAN
SCALE: 1/8" = 1'-0"



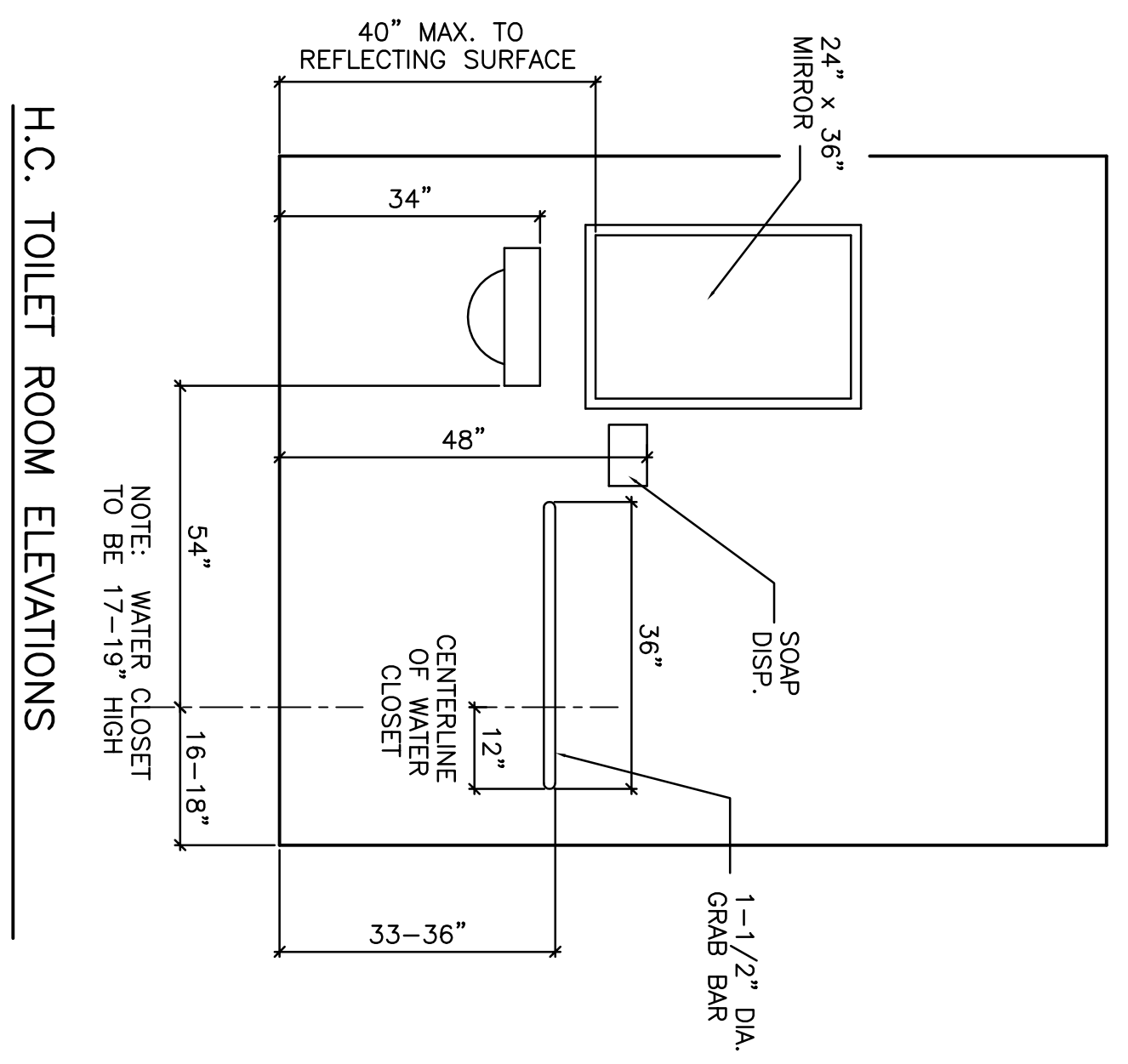
TYPICAL WINDOW ELEVATION
SCALE: 3/8" = 1'-0"



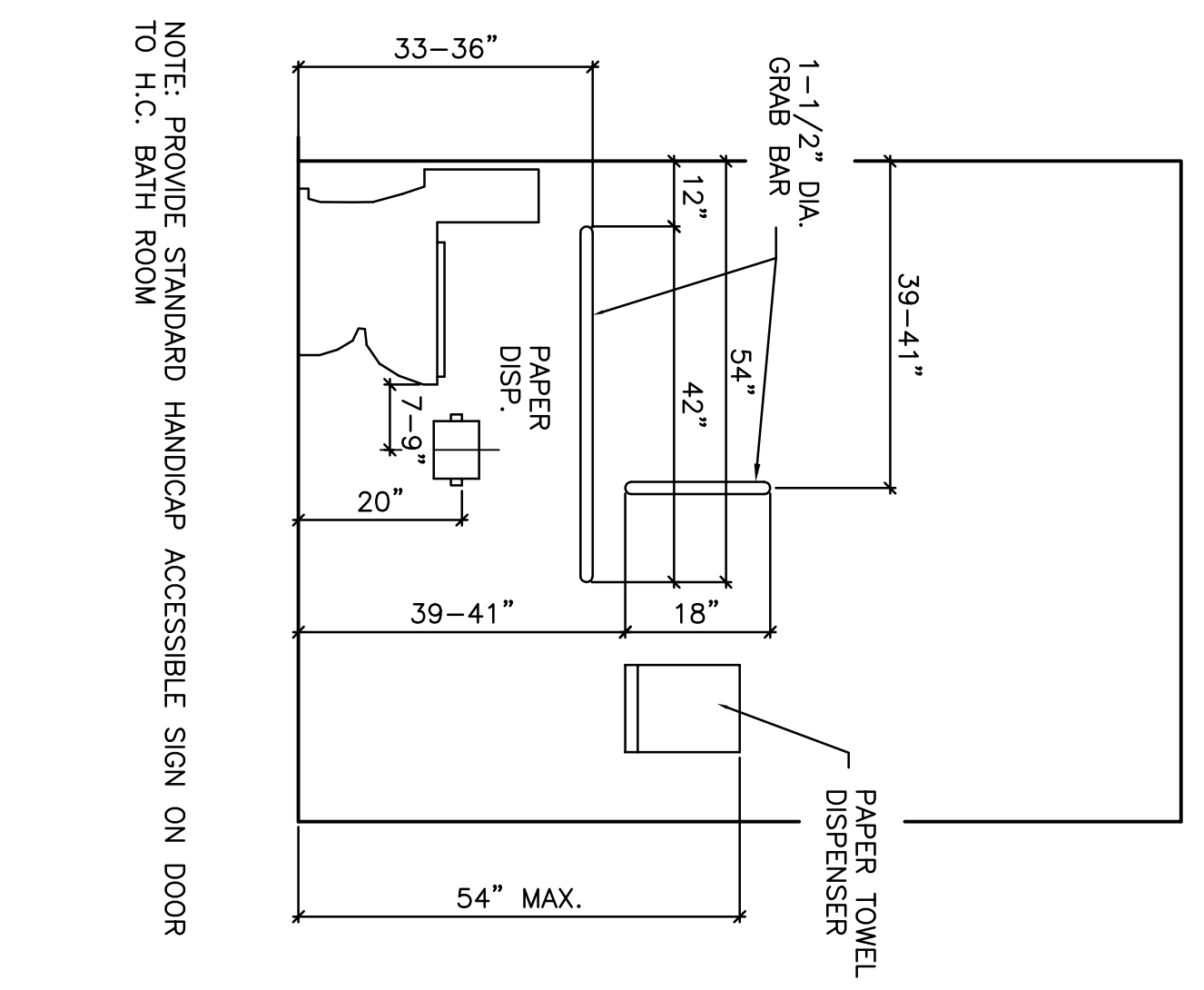
ENTRANCE DOOR ELEVATION
SCALE: 3/8" = 1'-0"



REAR/SIDE DOOR ELEVATION
SCALE: 3/8" = 1'-0"



H.C. TOILET ROOM ELEVATIONS
SCALE: 3/4" = 1'-0"



H.C. BATH ROOM ELEVATIONS
SCALE: 3/4" = 1'-0"

DOOR SCHEDULE												
DOOR NO.	DOOR SIZE	WIDTH	HEIGHT	THICKNESS	DOOR TYPE	DOOR MATERIAL	FRAME MATERIAL	CLOSER	THRESHOLD	WEATHERSTRIPPING	HARDWARE TYPE	REMARKS
1	3'-0"	7'-0"	1-3/4"	F	HM	HM	•	•	•	1		BY METAL BUILDING MANUFACTURER
2	8'-0"	8'-0"	1-3/4"	-	STEEL	STEEL	•	•	•	-		
3	8'-0"	8'-0"	1-3/4"	-	STEEL	STEEL	•	•	•	-		
4	3'-0"	7'-0"	1-3/4"	F	HM	HM	•	•	•	1		BY METAL BUILDING MANUFACTURER
5	3'-0"	7'-0"	1-3/4"	FG	ALUM	ALUM	•	•	•	1		ALUM. FRAME GLASS ENTRANCE DOOR
6	3'-0"	7'-0"	1-3/4"	FG	ALUM	ALUM	•	•	•	1		ALUM. FRAME GLASS ENTRANCE DOOR
7	14'-0"	7'-0"	1-3/4"	-	STEEL	STEEL	•	•	•	-		
8	3'-0"	7'-0"	1-3/4"	F	HM	HM	•	•	•	1		BY METAL BUILDING MANUFACTURER

- HARDWARE TYPE 1
MORTICE LOCKSET
KEYED OUTSIDE
THUMBTURN INSIDE
- HARDWARE SET 2
KEYED LOCKSET
KEYED OUTSIDE
BUTTON INSIDE
- HARDWARE SET 3
PRIVACY LOCKSET
BUTTON INSIDE

CODE DATA

APPLICABLE BUILDING CODES
2018 INTERNATIONAL BUILDING CODE
CONSTRUCTION TYPE
II(B) NON-COMBUSTIBLE UNPROTECTED
USE GROUP
B (BUSINESS)
BUILDING IS NOT SPRINKLERED

2021 NFPA 101 LIFE SAFETY CODE

CONSTRUCTION TYPE
II(B) NON-COMBUSTIBLE UNPROTECTED
USE GROUP
B (BUSINESS)
OCCUPANT LOAD (TABLE 7.3.1.2)
1 OCCUPANT PER 150 SF
9,800 SF/150 = 75
CAPACITY FACTOR (TABLE 7.3.3.1)
MIN. 0.2 INCHES PER OCCUPANT
REQUIRED 0.2" x 75 = 15 INCHES
PROVIDED = 144 INCHES
MAXIMUM TRAVEL DISTANCE TO EXIT
200 FEET (PARAGRAPH 39.2.6.2)
PROVIDED APPROX. 70 FEET

2021 DELAWARE STATE FIRE PROTECTION REGULATIONS

NO.	REVISIONS/SUBMISSIONS	DATE
1	REPLACED DOOR WITH WINDOW AT COLUMN LINE 7	9/18/23

DESIGNED BY
JOSEPH T. FARINA, AIA
378 SOUTH BANK ROAD
LANESBORO, MA 01469
PHONE: 978-451-1200
FAX: 978-451-1202
© COPYRIGHT 2023, JOSEPH T. FARINA, AIA

DEVELOPER
BUILDING CONCEPTS OF AMERICA, INC.
1000 W. WASHINGTON AVENUE
NEWARK, NJ 07102
PHONE: 908-486-1000

PROJECT TITLE
PROPOSED PRE-ENGINEERED BUILDING
26 SITE
NINE FOOT ROAD
DUNSBORO, DELAWARE

ISSUING TITLE
FLOOR PLAN AND SCHEDULES

SCALE	REVISION	PROJECT NO.
J.T. FARINA	2302.04	
J.T. FARINA	AS NOTED	
J.T. FARINA	ISSUED NO.	
REVISED		
DATE		
AUG. 21, 2023		

A-1