



# ALGIERS HOSPITALITY

FOR LEASE | +/- 2,500—6,893 SF

7704 San Jacinto Pl, Plano, TX

**PRICE:** Call For Pricing

**AVAILABLE:** +/- 2,500—6,893 SF

### Overview:

- Upscale 2nd generation office/medical with quick access to Preston Rd, less than 2 miles from Sam Rayburn Tollway & Dallas North Tollway
- Minutes from The Shops at Legacy and directly across Preston Rd from Children's Medical Center of Plano
- Surrounded by major medical and retail users

 +/- 2,500—6,893 SF  
Square Feet

 San Jacinto Pl.  
Frontage

 Office  
Type

 Office  
Proposed Use

### CONTACT:

**JOHN TURNER**

713.261.0516

John@sbpcommercial.com

1400 Dallas Drive, Denton, TX | sbpcommercial.com | 940.320.1200

**CHRISTIAN SCOFIELD**

940.391.8115

Christian@sbpcommercial.com

 **SCOTT  
BROWN  
COMMERCIAL**

# PHOTOS



\*\*Information contained herein was obtained from sources deemed reliable; however, Scott Brown Commercial and/or the owner(s) of the property make no guarantees, warranties, or representation as to the completeness or accuracy thereof. The presentation of the property is offered subject to errors, omissions, changes in price and/or terms, prior to sale or lease or removal from the market for any reason without notice.\*\*

**JOHN TURNER | CHRISTIAN SCOFIELD**

John@sbpcommercial.com | 713.261.0516  
Christian@sbpcommercial.com | 940.391.8115

# PHOTOS



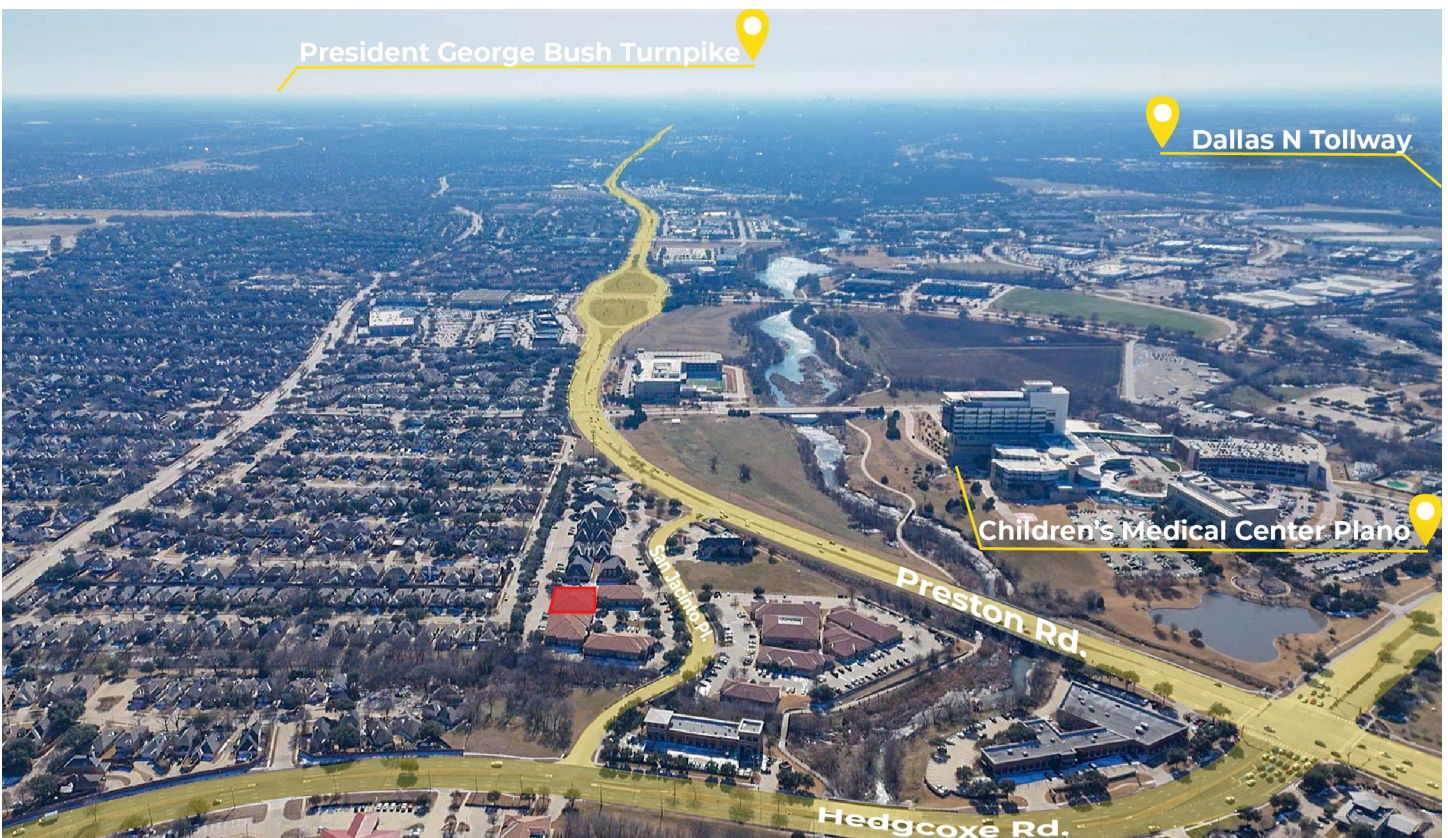
\*\*Information contained herein was obtained from sources deemed reliable; however, Scott Brown Commercial and/or the owner(s) of the property make no guarantees, warranties, or representation as to the completeness or accuracy thereof. The presentation of the property is offered subject to errors, omissions, changes in price and/or terms, prior to sale or lease or removal from the market for any reason without notice.\*\*

**JOHN TURNER | CHRISTIAN SCOFIELD**

John@sbpcommercial.com | 713.261.0516  
Christian@sbpcommercial.com | 940.391.8115

# SITE

7704 San Jacinto Place | Plano, TX



\*\*Information contained herein was obtained from sources deemed reliable; however, Scott Brown Commercial and/or the owner(s) of the property make no guarantees, warranties, or representation as to the completeness or accuracy thereof. The presentation of the property is offered subject to errors, omissions, changes in price and/or terms, prior to sale or lease or removal from the market for any reason without notice.\*\*

**JOHN TURNER | CHRISTIAN SCOFIELD**

John@sbpcommercial.com | 713.261.0516  
Christian@sbpcommercial.com | 940.391.8115

# SITE

7704 San Jacinto Place | Plano, TX



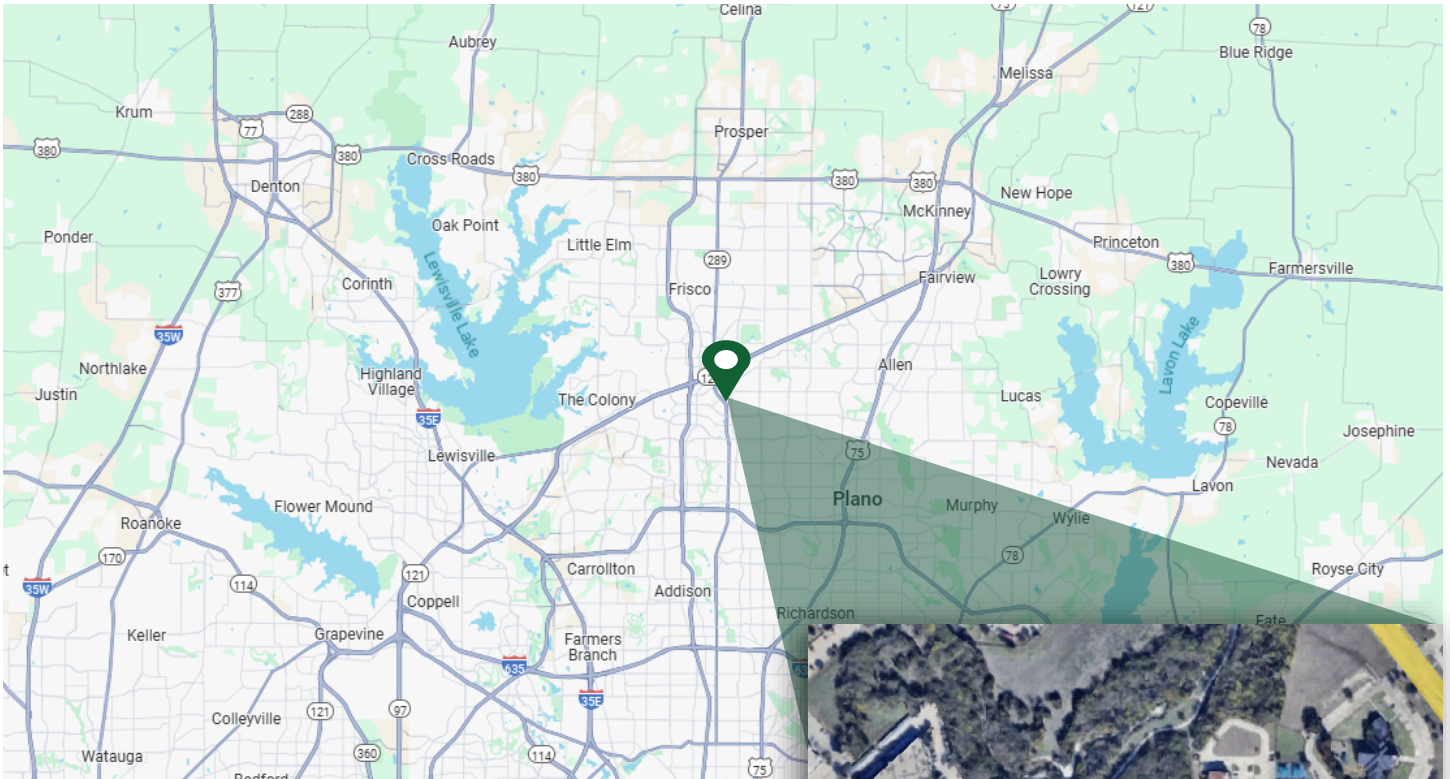
\*\*Information contained herein was obtained from sources deemed reliable; however, Scott Brown Commercial and/or the owner(s) of the property make no guarantees, warranties, or representation as to the completeness or accuracy thereof. The presentation of the property is offered subject to errors, omissions, changes in price and/or terms, prior to sale or lease or removal from the market for any reason without notice.\*\*

**JOHN TURNER | CHRISTIAN SCOFIELD**

John@sbpcommercial.com | 713.261.0516  
Christian@sbpcommercial.com | 940.391.8115

# MAPS

7704 San Jacinto Place | Plano, TX



## DRIVE TIME (To city center)

Preston Rd	1 Minute
Children's Med Center Plano	2 Minutes
Sam Rayburn Tollway	4 Minutes
Dallas North Tollway	5 Minutes
Pres. George Bush Tollway	8 Minutes
HWY 380	12 Minutes
HWY 75	12 Minutes
I-35	14 Minutes
I-635	14 Minutes

7704 San Jacinto Place

\*\*Information contained herein was obtained from sources deemed reliable; however, Scott Brown Commercial and/or the owner(s) of the property make no guarantees, warranties, or representation as to the completeness or accuracy thereof. The presentation of the property is offered subject to errors, omissions, changes in price and/or terms, prior to sale or lease or removal from the market for any reason without notice.\*\*

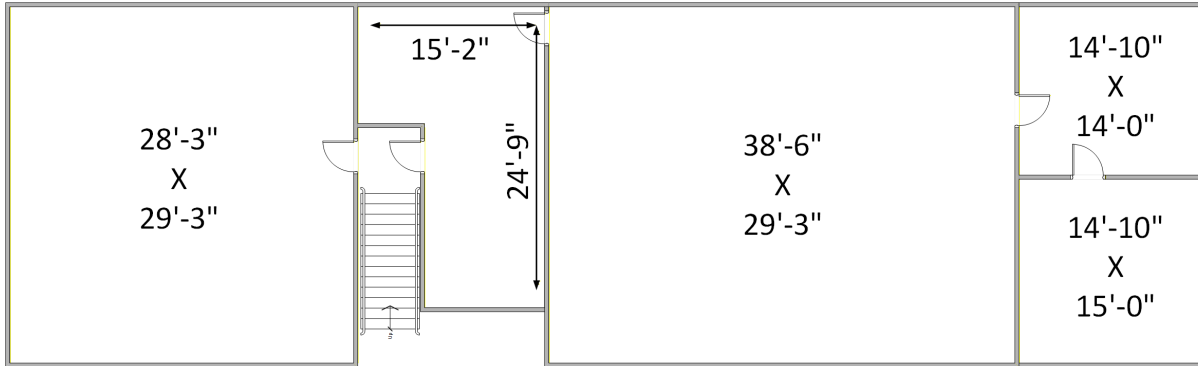
**JOHN TURNER | CHRISTIAN SCOFIELD**

John@sbpcommercial.com | 713.261.0516  
Christian@sbpcommercial.com | 940.391.8115

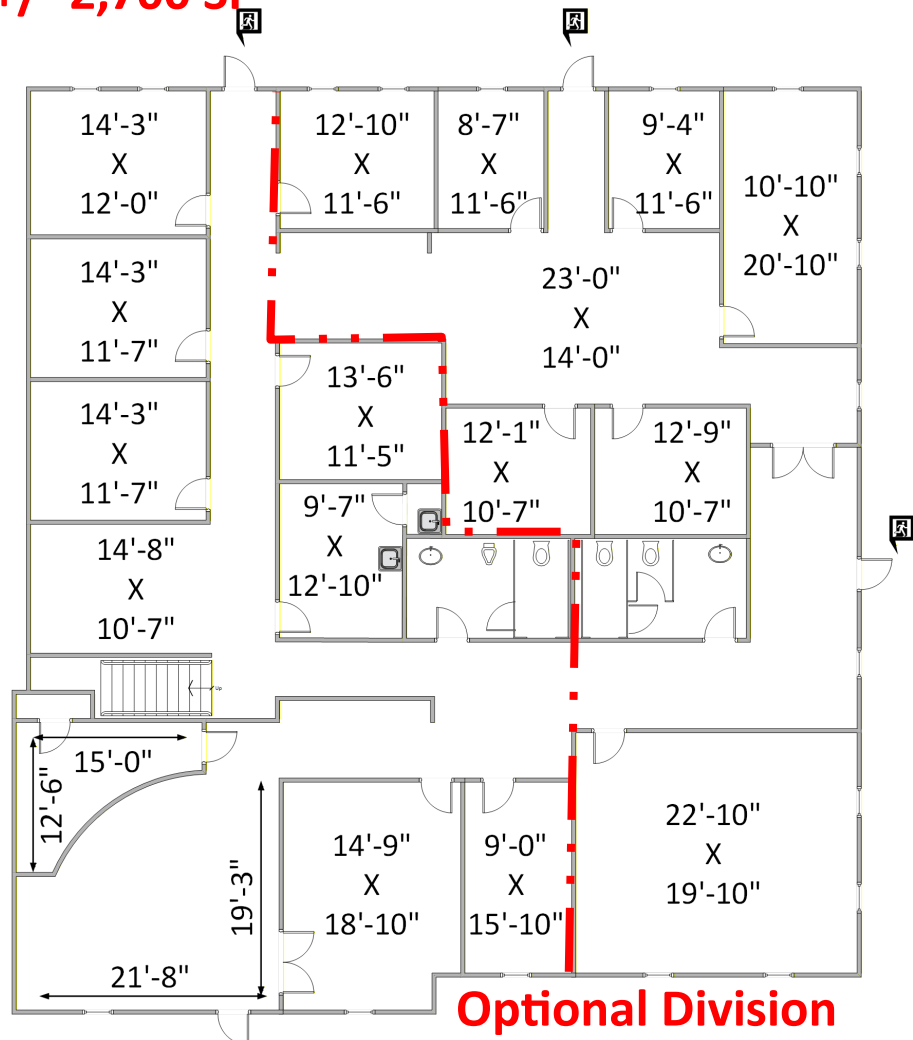
# FLOOR PLAN



Total Availability: +/- 2,500—6,893 SF



**Second Floor: +/- 2,700 SF**



**First Floor**

**Optional Division  
for +/- 2,500 SF**

\*\*Information contained herein was obtained from sources deemed reliable; however, Scott Brown Commercial and/or the owner(s) of the property make no guarantees, warranties, or representation as to the completeness or accuracy thereof. The presentation of the property is offered subject to errors, omissions, changes in price and/or terms, prior to sale or lease or removal from the market for any reason without notice.\*\*

**JOHN TURNER | CHRISTIAN SCOFIELD**

John@sbpcommercial.com | 713.261.0516  
Christian@sbpcommercial.com | 940.391.8115



# Information About Brokerage Services

Texas law requires all real estate license holders to give the following information about brokerage services to prospective buyers, tenants, sellers and landlords.

2-10-2025



## TYPES OF REAL ESTATE LICENSE HOLDERS:

- **A BROKER** is responsible for all brokerage activities, including acts performed by sales agents sponsored by the broker.
- **A SALES AGENT** must be sponsored by a broker and works with clients on behalf of the broker.

## A BROKER'S MINIMUM DUTIES REQUIRED BY LAW (A client is the person or party that the broker represents):

- Put the interests of the client above all others, including the broker's own interests;
- Inform the client of any material information about the property or transaction received by the broker;
- Answer the client's questions and present any offer to or counter-offer from the client; and
- Treat all parties to a real estate transaction honestly and fairly.

## A LICENSE HOLDER CAN REPRESENT A PARTY IN A REAL ESTATE TRANSACTION:

**AS AGENT FOR OWNER (SELLER/LANDLORD):** The broker becomes the property owner's agent through an agreement with the owner, usually in a written listing to sell or property management agreement. An owner's agent must perform the broker's minimum duties above and must inform the owner of any material information about the property or transaction known by the agent, including information disclosed to the agent or subagent by the buyer or buyer's agent. **An owner's agent fees are not set by law and are fully negotiable.**

**AS AGENT FOR BUYER/TENANT:** The broker becomes the buyer/tenant's agent by agreeing to represent the buyer, usually through a written representation agreement. A buyer's agent must perform the broker's minimum duties above and must inform the buyer of any material information about the property or transaction known by the agent, including information disclosed to the agent by the seller or seller's agent. **A buyer/tenant's agent fees are not set by law and are fully negotiable.**

**AS AGENT FOR BOTH - INTERMEDIARY:** To act as an intermediary between the parties the broker must first obtain the written agreement of *each party* to the transaction. The written agreement must state who will pay the broker and, in conspicuous bold or underlined print, set forth the broker's obligations as an intermediary. A broker who acts as an intermediary:

- Must treat all parties to the transaction impartially and fairly;
- May, with the parties' written consent, appoint a different license holder associated with the broker to each party (owner and buyer) to communicate with, provide opinions and advice to, and carry out the instructions of each party to the transaction.
- Must not, unless specifically authorized in writing to do so by the party, disclose:
  - that the owner will accept a price less than the written asking price;
  - that the buyer/tenant will pay a price greater than the price submitted in a written offer; and
  - any confidential information or any other information that a party specifically instructs the broker in writing not to disclose, unless required to do so by law.

**AS SUBAGENT:** A license holder acts as a subagent when aiding a buyer in a transaction without an agreement to represent the buyer. A subagent can assist the buyer but does not represent the buyer and must place the interests of the owner first.

## TO AVOID DISPUTES, ALL AGREEMENTS BETWEEN YOU AND A BROKER SHOULD BE IN WRITING AND CLEARLY ESTABLISH:

- The broker's duties and responsibilities to you, and your obligations under the representation agreement.
- Who will pay the broker for services provided to you, when payment will be made and how the payment will be calculated.

**LICENSE HOLDER CONTACT INFORMATION:** This notice is being provided for information purposes. It does not create an obligation for you to use the broker's services. Please acknowledge receipt of this notice below and retain a copy for your records.

<u>Scott Brown Commercial</u> Licensed Broker /Broker Firm Name or Primary Assumed Business Name	<u>475257</u> License No.	<u>Help@sbpcommercial.com</u> Email	<u>940-320-1200</u> Phone
<u>Ron Bullock</u> Designated Broker of Firm	<u>286566</u> License No.	<u>Ron@sbpcommercial.com</u> Email	<u>940-320-1200</u> Phone
<u>Ron Bullock</u> Licensed Supervisor of Sales Agent/ Associate	<u>0286566</u> License No.	<u>ron@sbpcommercial.com</u> Email	<u>972-571-5470</u> Phone
<u>John Turner</u> Sales Agent/Associate's Name	<u>820033</u> License No.	<u>john@sbpcommercial.com</u> Email	<u>713-261-0516</u> Phone

\_\_\_\_\_  
Buyer/Tenant/Seller/Landlord Initials

\_\_\_\_\_  
Date