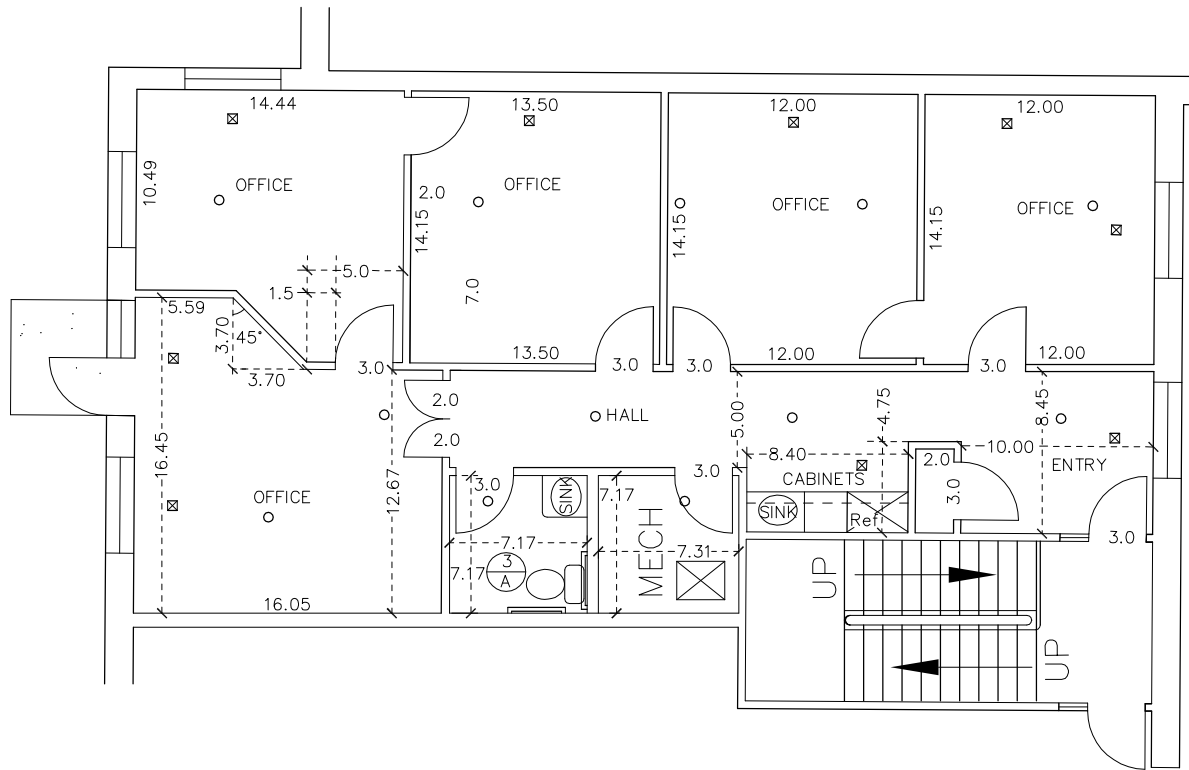
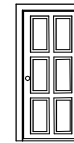


CEILING
5/8" SHEETROCK ON CEILING

WALLS
1/2" SHEETROCK ON WALLS
ALL WALLS 4" INSULATION FOR SOUND BARRIER
(NOT ON WALLS ALREADY INSULATED)



6 PANEL OAK



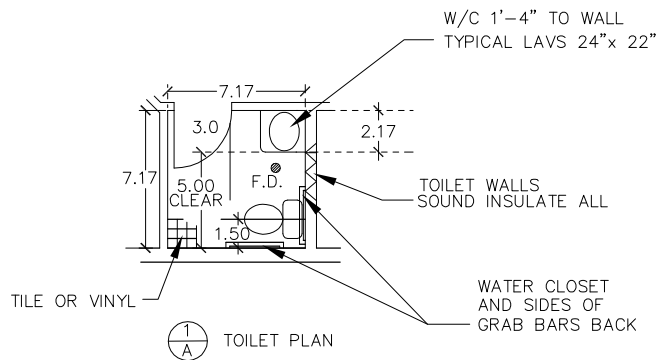
DOOR DETAIL TYPICAL

LEGEND

- EXISTING SPRINKLER HEAD
- ⊠ EXISTING SUPPLY VENT

# UNIT 275 LOWER LEVEL

Client SAMPSON PROPERTIES, LLC 6015 190TH STREET FOREST LAKE, MN 55025 651-426-1610	Design by JF	Original date 10-7-11	I hereby certify that this plan, specification or report was prepared by me or under my direct supervision, and that I am a duly Registered Engineer and Surveyor under the laws of the State of Minnesota.  Jonathan L. Foraci Date 10-7-11 Minnesota Reg. No. 16464
	Drawn by JF	Revisions	
LAKE AND LAND SURVEYING, INC.  SURVEYING/CIVIL ENGINEERING 1296 HUDSON ROAD, ST PAUL, MN. PHONE (651) 776-6211 55106	Survey book No.		Page title
	S.A.P.number		Sheet number 1 of 1



SCALE  
1 INCH = 10 FEET