

# GRAB+GO OPPORTUNITY AT GRAND CENTRAL TERMINAL ON VANDERBILT AVENUE

CBRE

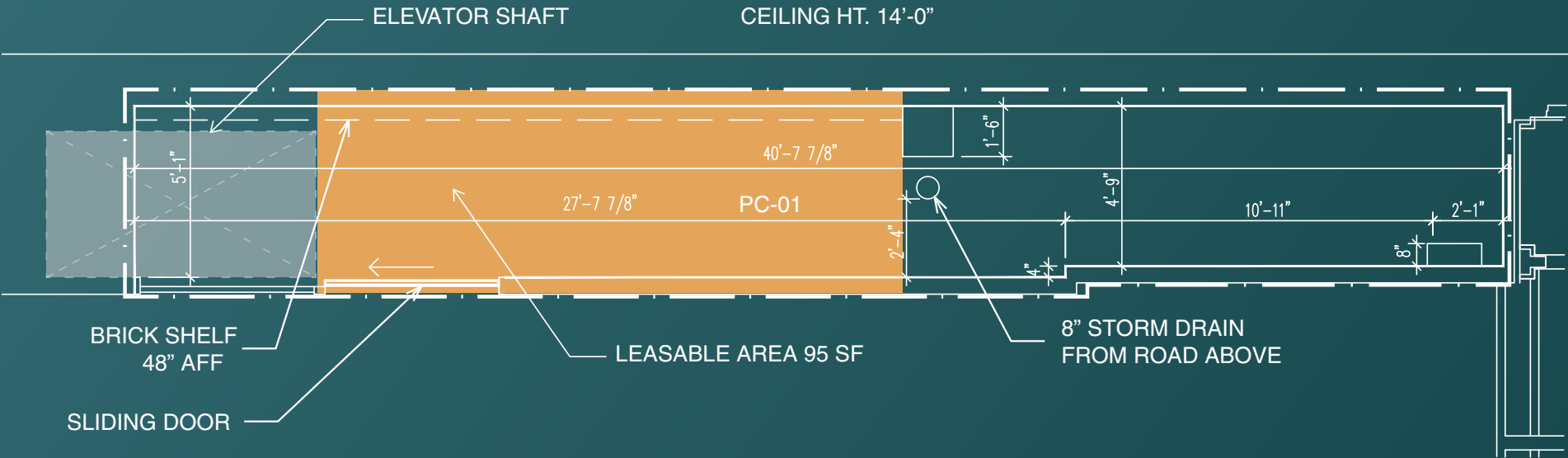


GRAND  
CENTRAL®

**RFP ISSUANCE:** APRIL 20<sup>TH</sup>, 2026  
**WALKTHROUGH:** APRIL 29<sup>TH</sup>, 2026  
**RFP DUE DATE:** JUNE 2<sup>ND</sup>, 2026

- 
- White boxed - Move-in ready
  - Grab and go space at the entrance of Grand Central

# FLOOR PLAN | PC-01 | 95 SF



VANDERBILT

# PROPOSED CONCEPT





# GRAND CENTRAL®

**RFP ISSUANCE:**                   **APRIL 20<sup>TH</sup>, 2026**

**WALKTHROUGH:**               **APRIL 29<sup>TH</sup>, 2026**

**RFP DUE DATE:**               **JUNE 2<sup>ND</sup>, 2026**

## **MATT CHMIELECKI**

+1 212 984 6698

[Matt.Chmielecki@cbre.com](mailto:Matt.Chmielecki@cbre.com)

## **PRESTON CANNON**

+1 212 984 6544

[Preston.Cannon@cbre.com](mailto:Preston.Cannon@cbre.com)

## **FRANCES ROYER**

+1 212 895 0956

[Frances.Royer@cbre.com](mailto:Frances.Royer@cbre.com)

© 2026 CBRE, Inc. All rights reserved. This information has been obtained from sources believed reliable, but has not been verified for accuracy or completeness. You should conduct a careful, independent investigation of the property and verify all information. Any reliance on this information is solely at your own risk. CBRE and the CBRE logo are service marks of CBRE, Inc. All other marks displayed on this document are the property of their respective owners, and the use of such logos does not imply any affiliation with or endorsement of CBRE.

**CBRE**