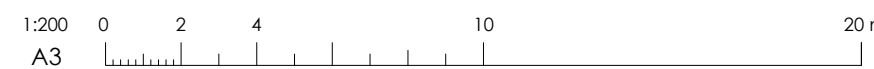


Proposed Ground Floor Plan

Proposed Bin Store
3 x 1100lt EuroBins Waste and Recycling
1 x 240lt Food Waste



05	General Notes			
	1 This drawing is prepared solely for design and planning submission purposes. It is not intended or suitable for either Building Regulations or Construction purposes and should not be used for such.			
	2 Setting-out is based on outline survey only. All dimensions to be checked on site prior to construction/ordering.			
	3 Unless shown otherwise all dimensions are to structural surfaces and are in mm.			
	4 Unless shown refer to internal door schedule for door size. Door opening to be set out to give full specified architrave either side.			
	5 Refer to drawing number. 6 Any discrepancies between the Engineer's and Architect's drawings must be verified with the architect			

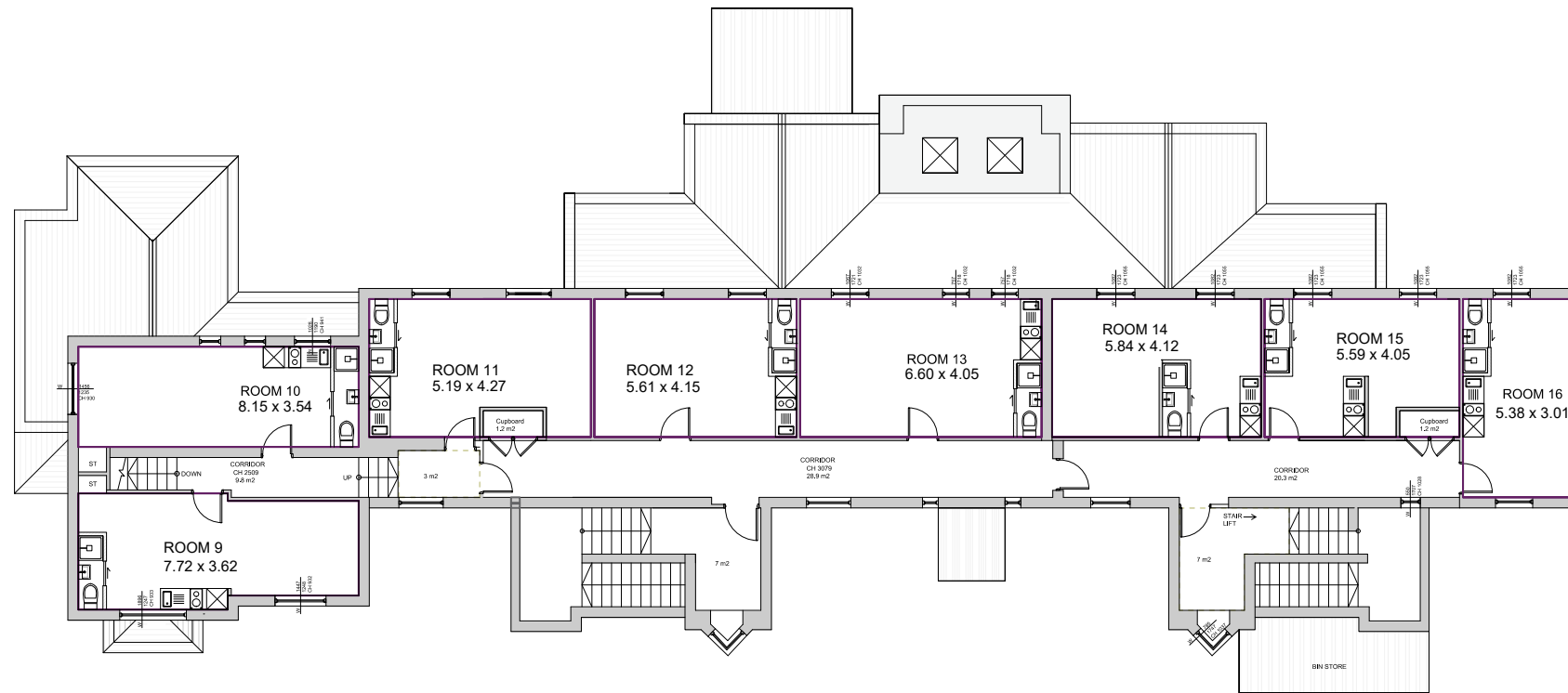
Rev	Date	Description	By	Chkd
A	June 25'	Bin Store Revised / Privacy Fence added	MR	
B	Oct 25'	As Built Plans	MR	
C	Nov 25'	As Built Plans	MR	

Client	Smart Capital Ventures Ltd
Site	5 - 9 Langthorne Road, Leytonstone LONDON, E11 4HL

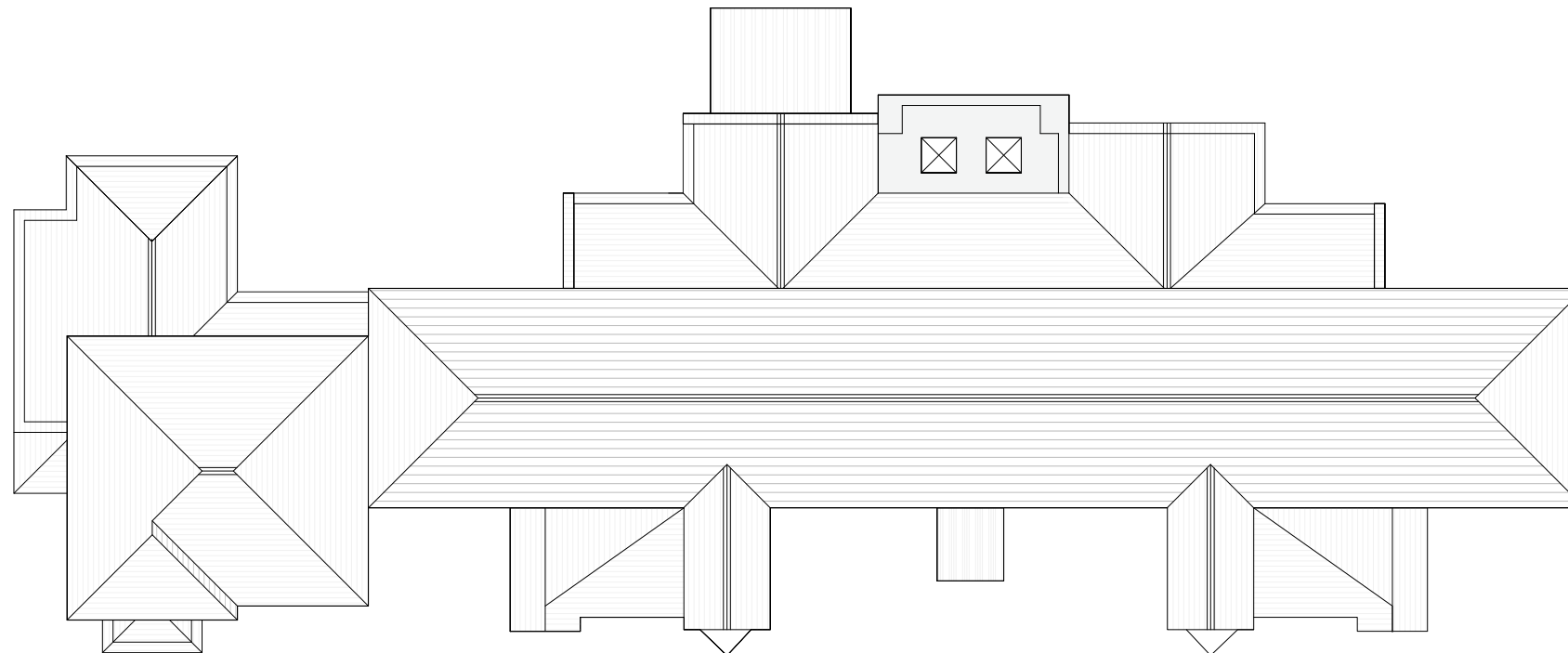
Project	Change of Use Residential Care Home to Emergency Housing (Sui Generis)
Drawing Title	Proposed Plans

Date	March 25'	Scale	1:200 @ A3	Status	Planning
9126 - 300				Revision	C

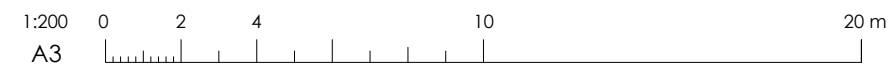




Proposed First Floor Plan



Proposed Roof Plan (As Existing)



midas
planning consultants

06

- General Notes**
- 1 This drawing is prepared solely for design and planning submission purposes. It is not intended or suitable for either Building Regulations or Construction purposes and should not be used for such.
 - 2 Setting-out is based on outline survey only. All dimensions to be checked on site prior to construction/ordering.
 - 3 Unless shown otherwise all dimensions are to structural surfaces and are in mm.
 - 4 Unless shown refer to internal door schedule for door size. Door opening to be set out to give full specified architrave either side.
 - 5 Refer to drawing number.
 - 6 Any discrepancies between the Engineer's and Architect's drawings must be verified with the architect

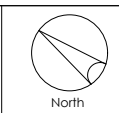
Rev	Date	Description	By	Chkd
A	June 25'	Bin Store Revised	MR	
B	Oct 25'	As Built Plans	MR	
C	Nov 25'	As Built Plans	MR	

Client
Smart Capital Ventures Ltd

Site
**5 - 9 Langthorne Road, Leytonstone
LONDON, E11 4HL**

Project
**Change of Use Residential Care
Home to Emergency Housing
(Sui Generis)**

Drawing Title
Proposed Roof Plan



t: 07904 119 951
e: info@omni-architecture.co.uk
www.omni-architecture.co.uk

Date
March 25'

Scale
1:200 @ A3

Status
Planning

Revision
C

9126 - 301

OMNI
ARCHITECTURE