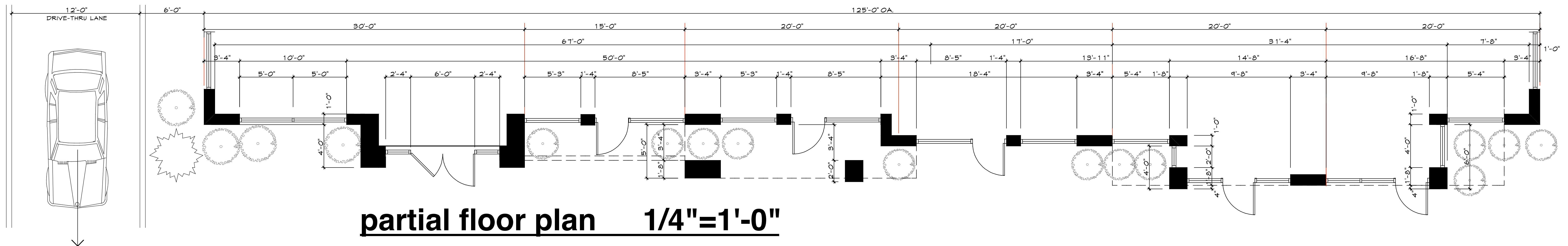


**west elevation** **1/4"=1'-0"**

• FACING STATE ROUTE 41



**partial floor plan** **1/4"=1'-0"**