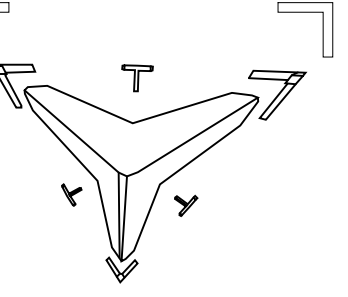


ALL IDEAS, DESIGN ARRANGEMENTS AND PLANS INDICATED OR REPRESENTED BY THIS DRAWING ARE OWNED BY AND THE PROPERTY OF AMORPHICA AND WHERE CREATED, EVOLVED AND DEVELOPED FOR USE ON AND IN CONNECTION WITH THE SPECIFIED PROJECT. NONE OF SUCH IDEAS, ARRANGEMENTS OR PLANS SHALL BE USED BY OR DISCLOSED TO ANY PURPOSE WHATSOEVER WITHOUT THE WRITTEN PERMISSION OF AMORPHICA



amorphica.co

Amorphica Design
Research Office

858.284.4512
amorphica@gmail.com

ALUMNI HOUSING

5067 ALUMNI PL., SAN DIEGO
CA 92115, EE.UU

DATE: JANUARY 2026

JOB NUMBER:
403 - ALUMNI
HOUSING

DRAWN BY:
Tony

REVISIONS:
CITY SUBMITTAL

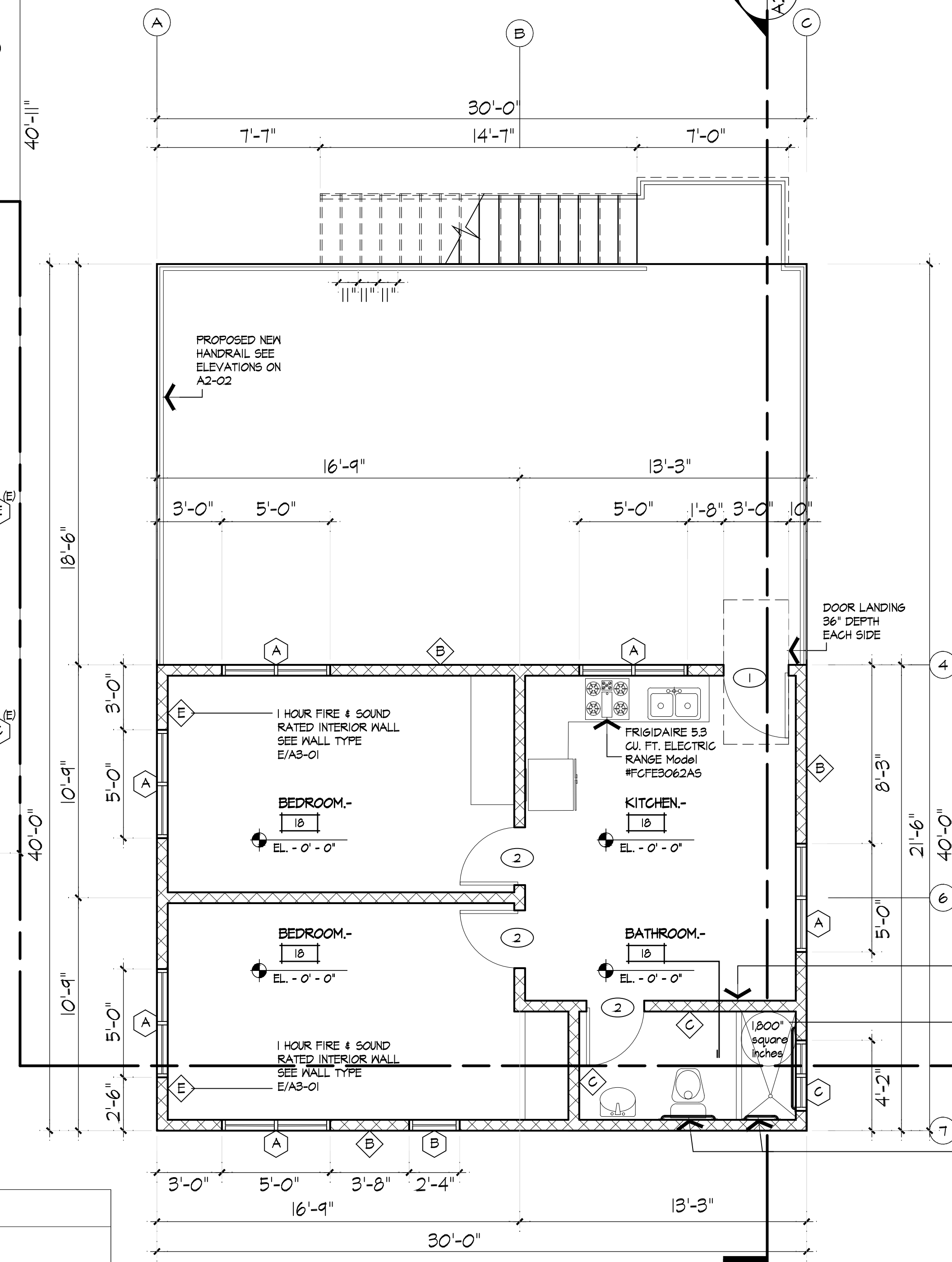
SHEET NAME • No.:

SECOND
FLOOR PLAN

A1-02

PROPOSED SECOND FLOOR PLAN.- NEW BUILDING

Scale: 1/4" = 1'-0"



R321.1.11 DOCUMENTATION FOR GRAB BAR REINFORCEMENT, INFORMATION AND OR DRAWINGS IDENTIFYING THE LOCATION OF GRAB BAR REINFORCEMENT SHALL BE PLACED IN THE OPERATION AND MAINTENANCE MANUAL IN ACCORDANCE WITH THE CALIFORNIA GREEN BUILDING STANDARDS CODE, CHAPTER 4, DIVISION 4.4. REINFORCEMENT SHALL BE LOCATED BETWEEN 32" AND 34 1/4" ABOVE THE FINISHED FLOOR FLUSH WITH WALL FRAMING.

CALIFORNIA RESIDENTIAL CODE PER SECTION R321 OF THE CALIFORNIA RESIDENTIAL CODE, AGING-IN-PLACE AND FALL PREVENTION, THIS PROJECT SHALL ADOPT AND COMPLY WITH ALL NEWLY REQUIRED MEASURES WHERE THEY APPLY.

- (i) REINFORCEMENT SHALL BE SOLID LUMBER OR OTHER APPROVED CONSTRUCTION MATERIALS
- (ii) REINFORCEMENT FOR GRAB BARS SHALL NOT BE LESS THAN 2 BY 8-INCH NOMINAL LUMBER (1.5 INCH BY 1.25-INCH ACTUAL DIMENSION) OR OTHER APPROVED CONSTRUCTION MATERIAL PROVIDING EQUAL HEIGHT AND LOAD CAPACITY. REINFORCEMENT SHALL BE LOCATED BETWEEN 32 INCHES AND 34-1/4 INCHES ABOVE THE FINISHED FLOOR, OR ONE SIDE WALL AND THE BACK WALL.
- (iii) WATER CLOSET REINFORCEMENT SHALL BE INSTALLED ON BOTH SIDE WALLS OF THE FIXTURE, OR ONE SIDE WALL AND THE BACK WALL.
- (iv) SHOWER REINFORCEMENT SHALL BE CONTINUOUS WHERE WALL FRAMING IS PROVIDED.
- (v) BATHTUB AND COMBINATION BATHTUB/SHOWER REINFORCEMENT SHALL BE CONTINUOUS ON EACH END OF THE BATHTUB AND THE BACK WALL. ADDITIONALLY, BACK WALL REINFORCEMENT FOR A LOWER GRAB BAR SHALL BE PROVIDED WITH THE BOTTOM EDGE LOCATED NO MORE THAN 6 INCH ABOVE THE BATHTUB RIM.

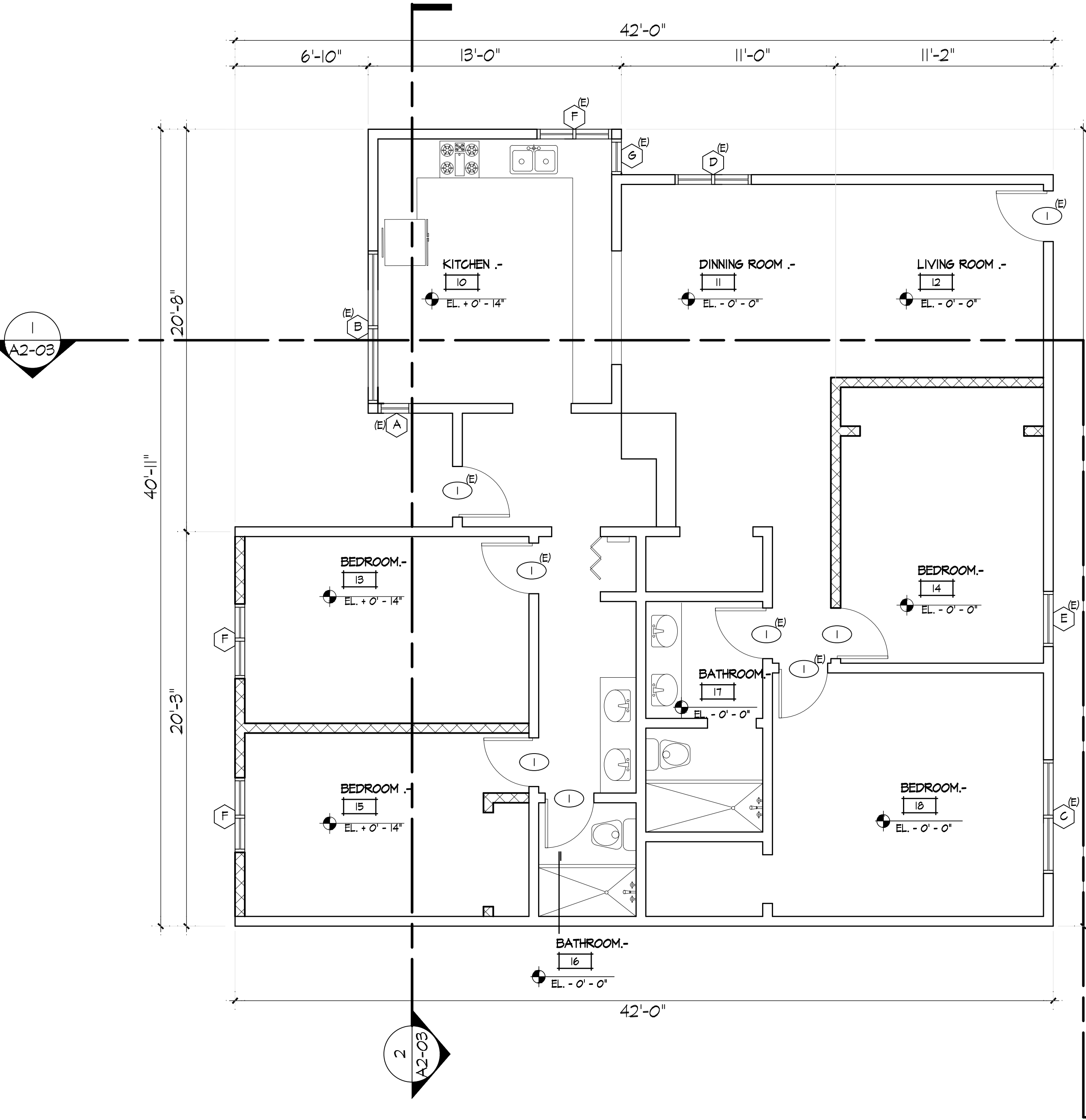
NOTE: ON ALL NEW BATHROOM WALLS:
CERAMIC TILE OVER ANSI A118.10
WATERPROOFING MEMBRANE
1/2" CEMENTITIOUS BACKER UNIT (CBU)
COMPLYING WITH ASTM C1225 OR
FIBER-CEMENT BOARD PER ASTM C1288
(ACCEPTABLE NET-AREA
BACKERS) CONTINUOUS 5/8" TYPE X
GYPSUM BOARD (KEPT INTACT BEHIND
THE CBU TO PRESERVE THE UHR RATING)
2x6 STUDS @ 16" O.C. WITH INSULATION
(R-19 MINERAL WOOL OR FIBERGLASS)
EXTERIOR SIDE (E.G. STRUCTURAL
SHEATHING + 2-PLY GRADE-D PAPER +
3-COAT STUCCO)

30" DIAMETER
CIRCLE

AGING IN PLACE FALL
PREVENTION REQUIREMENTS
SHOWER AND TOILET GRAB BAR
REINFORCEMENT PER CALIFORNIA
RESIDENTIAL CODE SECTION R321.1.
REINFORCEMENT SHALL BE NO LESS
THAN 2 BY 8 INCHES IN NOMINAL
LUMBER.

PROPOSED SECOND FLOOR PLAN.- EXISTING BUILDING

Scale: 1/4" = 1'-0"



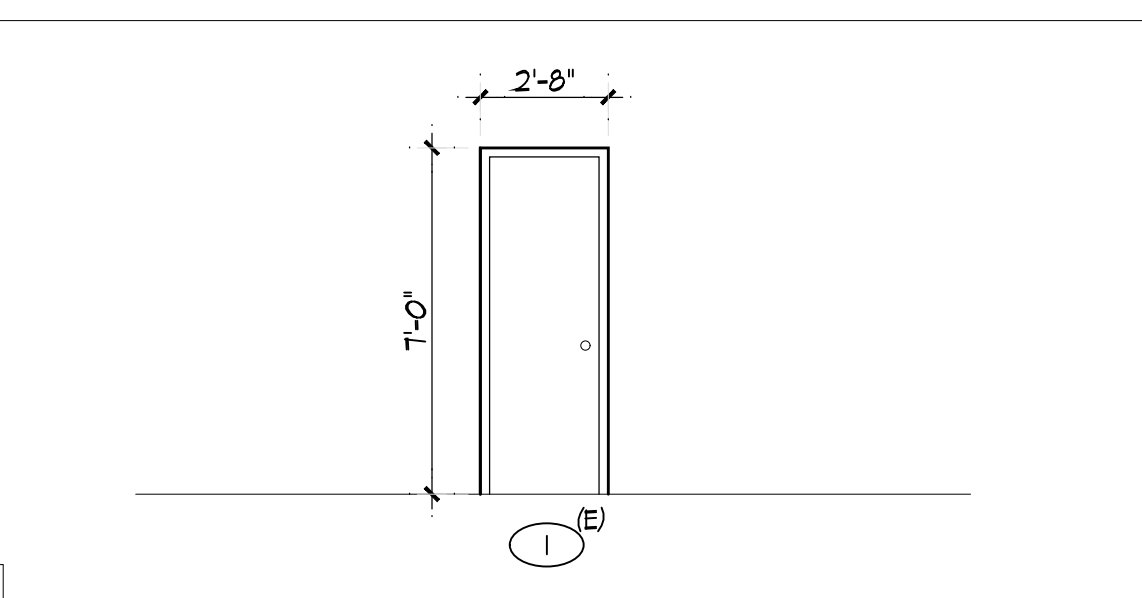
LEGEND

	INDICATES WALL TYPE SEE DETAILS ON A3-01		GAS LINE SIZE INDICATED IN GAS CALCULATION SCHEDULE
	PROPOSED NEW WALLS AND COLUMNS		EXISTING WALLS TO REMAIN

EXISTING DOOR SCHEDULE

DOOR No.	NUM OF DOORS	DOOR SIZE	MATERIAL DOOR	MATERIAL DOOR FRAME	REMARKS
1	1	2'-8" X 7'-0"	WOOD	WOOD	

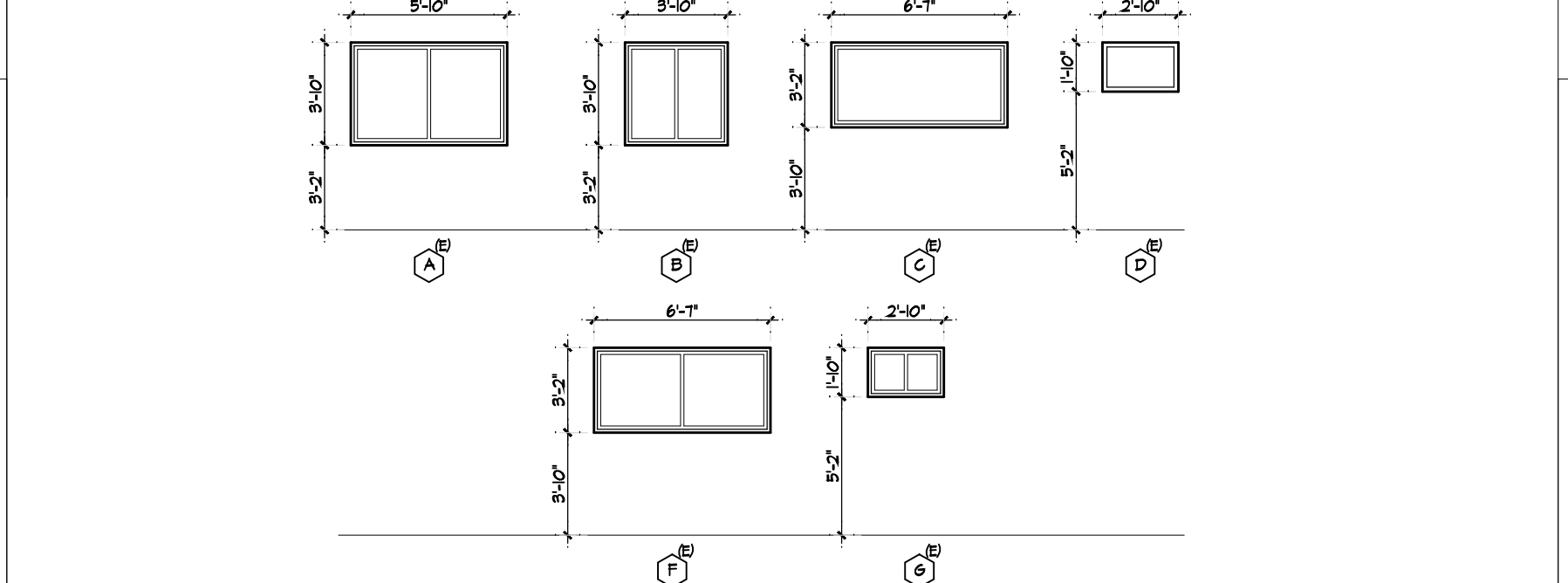
DOOR DETAILS



EXISTING WINDOW SCHEDULE

WINDOW No.	NUM OF WINDOW	WINDOW SIZE	MATERIAL GLASS	MATERIAL FRAME	OPERATION TYPE OF THE WINDOW	REMARKS
A	2	5'-10" X 3'-10"	SINGLE TEMPERED GLASS	ALUMINUM	SINGLE-HUNG	TEMPERED GLASS PER CRC 308.4
B	2	3'-10" X 3'-10"	SINGLE TEMPERED GLASS	ALUMINUM	CASEMENT	TEMPERED GLASS PER CRC 308.4
C	1	6'-7" X 3'-2"	SINGLE TEMPERED GLASS	ALUMINUM	SLIDING	TEMPERED GLASS PER CRC 308.4
D	1	2'-10" X 1'-10"	SINGLE TEMPERED GLASS	ALUMINUM	SLIDING	TEMPERED GLASS PER CRC 308.4
E	1	6'-7" X 3'-2"	SINGLE TEMPERED GLASS	ALUMINUM	SLIDING	TEMPERED GLASS PER CRC 308.4
F	1	2'-10" X 1'-10"	SINGLE TEMPERED GLASS	ALUMINUM	SLIDING	TEMPERED GLASS PER CRC 308.4

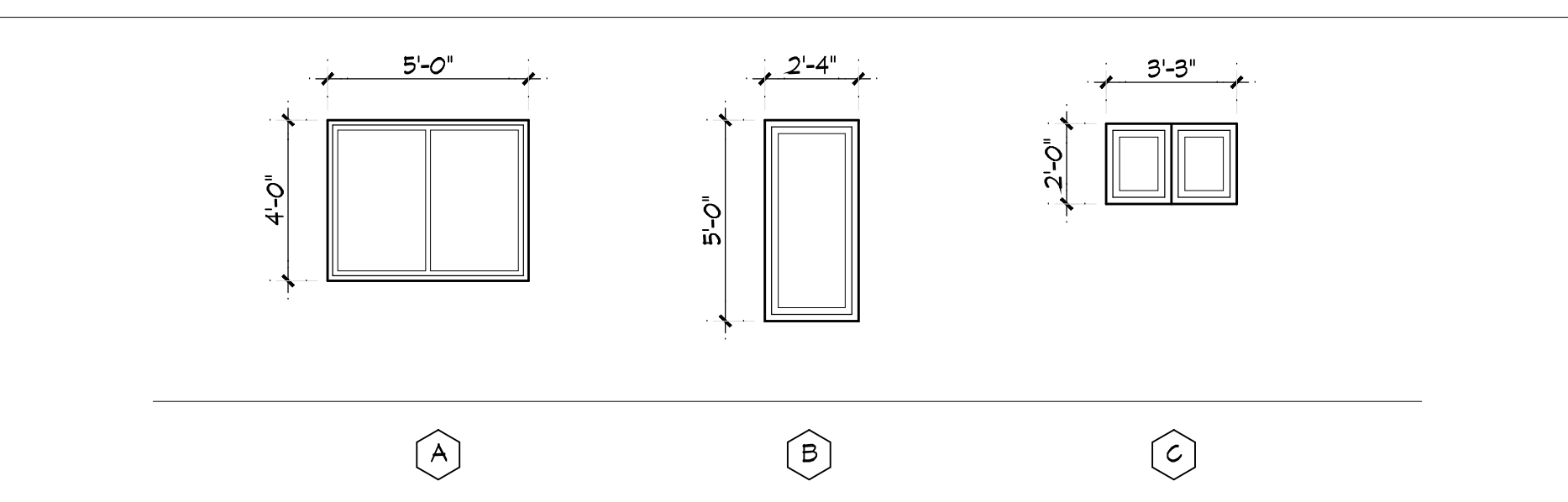
WINDOW DETAILS



PROPOSED WINDOW SCHEDULE

WINDOW No.	NUM OF WINDOW	WINDOW SIZE	MATERIAL GLASS	MATERIAL FRAME	OPERATION TYPE OF THE WINDOW	REMARKS
A	2	5'-0" X 4'-0"	SINGLE TEMPERED GLASS	ALUMINUM	SINGLE-HUNG	TEMPERED GLASS PER CRC 308.4
B	2	2'-4" X 5'-0"	SINGLE TEMPERED GLASS	ALUMINUM	CASEMENT	TEMPERED GLASS PER CRC 308.4
C	3	3'-3" X 2'-0"	SINGLE TEMPERED GLASS	ALUMINUM	SLIDING	TEMPERED GLASS PER CRC 308.4
D	1	5'-8" X 2'-4"	SINGLE TEMPERED GLASS	ALUMINUM	SLIDING	TEMPERED GLASS PER CRC 308.4

WINDOW DETAILS



PROPOSED DOOR SCHEDULE

DOOR No.	NUM OF DOORS	DOOR SIZE	MATERIAL DOOR	MATERIAL DOOR FRAME	REMARKS
1	1	3'-0" X 7'-0"	WOOD	WOOD	
2	3	2'-8" X 7'-0"	WOOD	WOOD	

DOOR DETAILS

