

4400 Bankers Circle

Atlanta, GA 30360

SUITE C

5,000 SF



BUILDING INFORMATION

Property Type:	Distribution
Total Building Size:	65,000 SF
Available Size:	5,000 SF
Office:	373 SF
Loading Doors:	2 docks
Column Spacing:	25' x 33'
Clear Height:	19'
Sprinkler:	Wet System
Equipment:	2 pit-levelers
Lighting:	LED



Joseph Kriss
678.904.1910
josephk@seefriedproperties.com

Tripp Ausband
770.825.3391
tausband@seefriedproperties.com

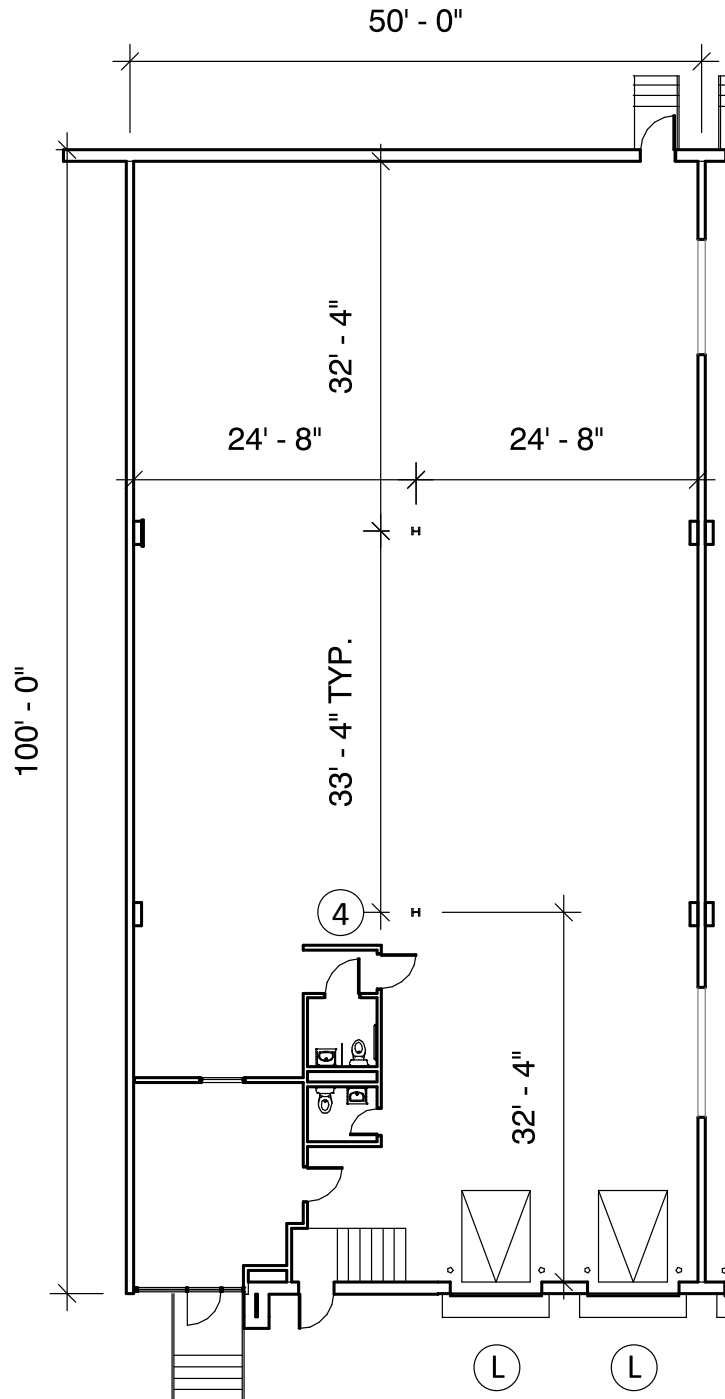
Seefried Industrial Properties
3333 Riverwood Parkway, Suite 200 | Atlanta, GA 30339
404.233.0204 | www.seefriedproperties.com

OWNED BY:
GID

LEASED BY:
SEEFRIED
INDUSTRIAL PROPERTIES

No guarantee, warranty or representation, express or implied, is made as to the accuracy of the information contained herein, and same is submitted subject to errors, omissions, change of price, rental or other conditions, or withdrawal without notice.

SUITE C – 5,000 SF



Joseph Kriss
678.904.1910
josephk@seefriedproperties.com

Tripp Ausband
770.825.3391
tausband@seefriedproperties.com

Seefried Industrial Properties
3333 Riverwood Parkway, Suite 200 | Atlanta, GA 30339
404.233.0204 | www.seefriedproperties.com

OWNED BY:
GIID

LEASED BY:
SEEFRIED
INDUSTRIAL PROPERTIES