

BUILDING ELEVATIONS
3/32" = 1'-0"



DESIGN DATA

ROOF DESIGN LOADS
 -TOP CHORD
 LIVE LOAD: 42 PSF
 DEAD LOAD: 5 PSF
 -BOTTOM CHORD
 LIVE LOAD: 0 PSF
 DEAD LOAD: 5 PSF
 DEFLECTION DESIGN:
 FLOOR JOISTS: 360/240
 TRUSSES: 360/240

INDEX

COVER	COVER PAGE
E1	ISOMETRIC VIEWS
P1	COLUMN LAYOUT
P2	TRUSS LAYOUT
S1	BUILDING SECTIONS
D1	BUILDING DETAILS

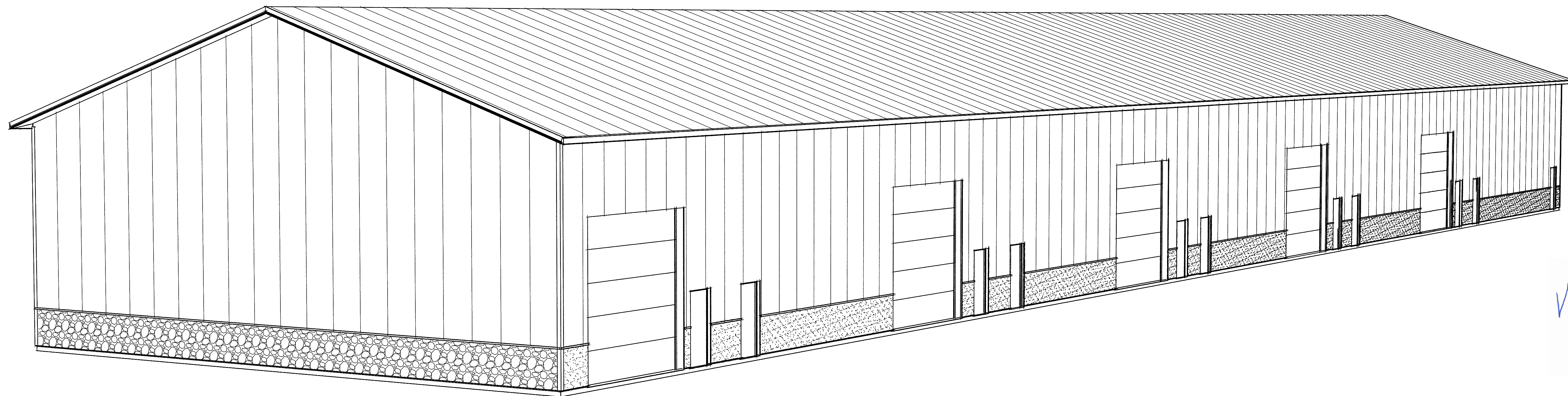
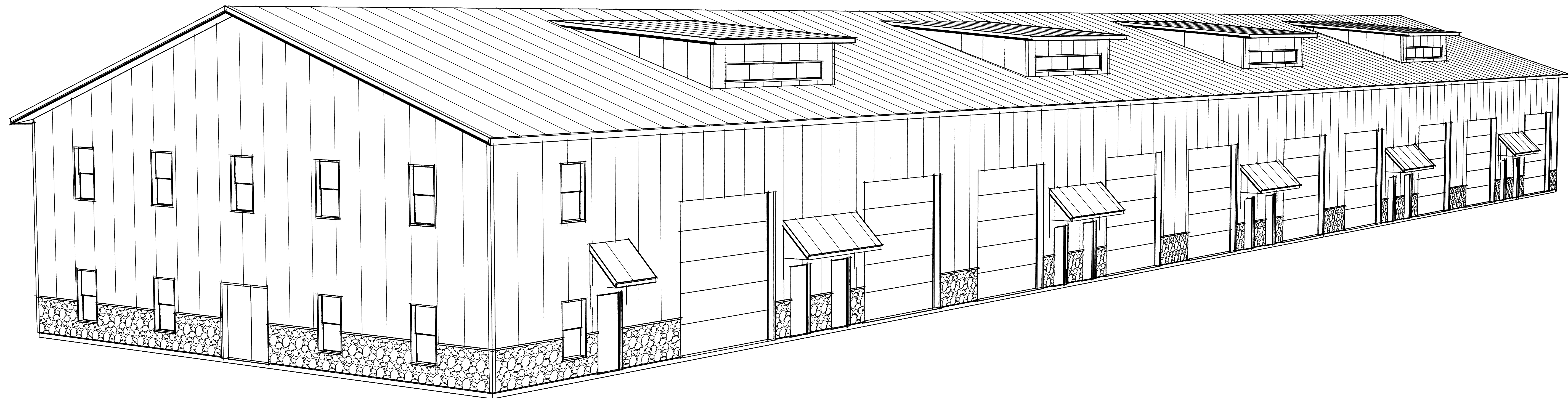
BARRY KENNEDY
 1134 NY-5
 ELBRIDGE, NY 13060

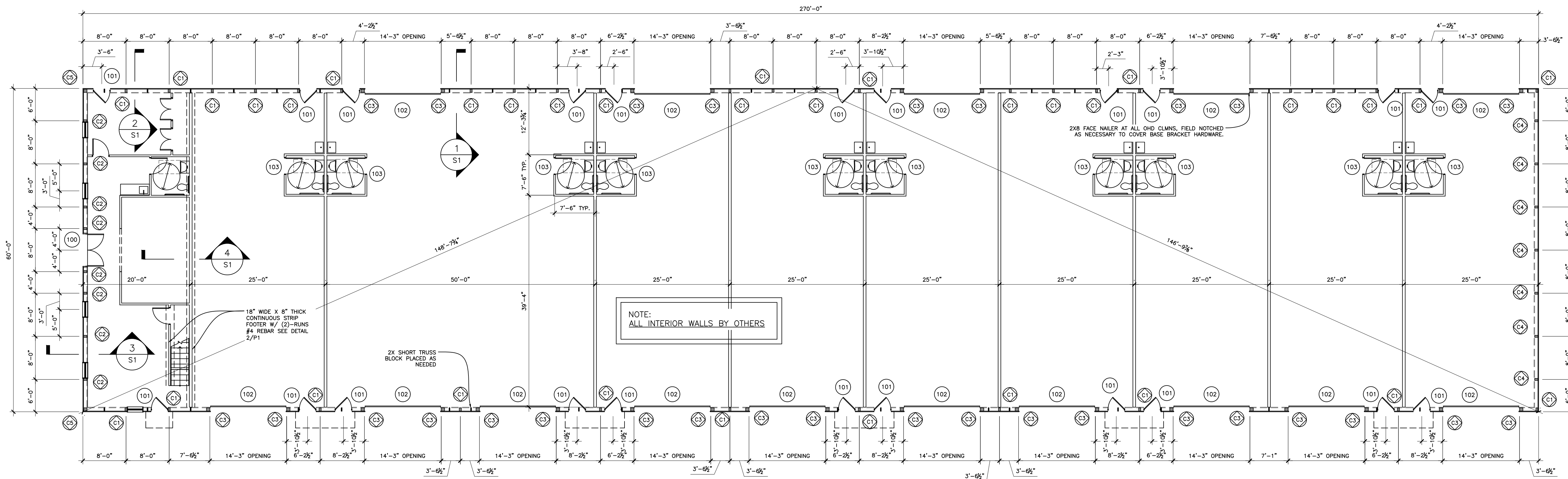
DATE	10-3-25
DRAWN BY	PJP
REV 1	9-3-25
REV 2	9-13-25
REV 3	9-30-25

TO THE BEST OF MY PROFESSIONAL EVALUATION, THESE DRAWINGS MEET OR EXCEED THE 2020 BUILDING CODE OF NEW YORK STATE

SHEET No.

COVER





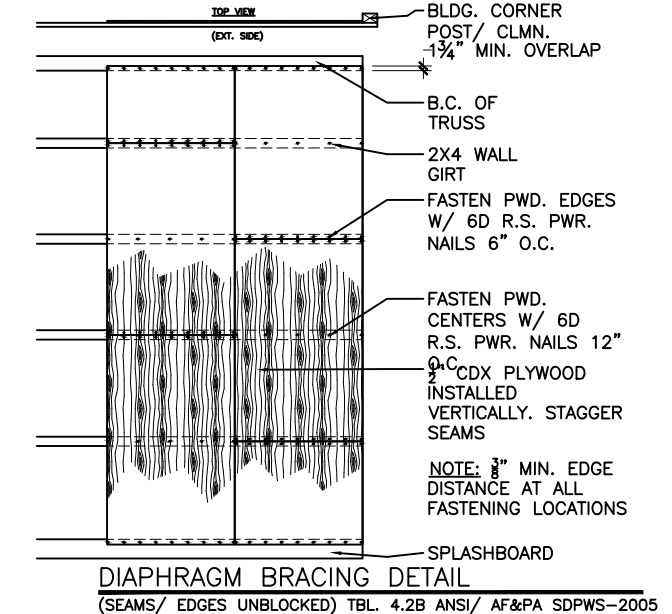
COLUMN LAYOUT
3/32" = 1'-0"

COLUMN SCHEDULE			
#	COLUMN SIZE	COLUMN REACTION (Kips)	NOTES QTY
C1	(3)-PLY 2X8 SYP#1 LAMINATED COLUMN	14.5	22' 34
C2	(3)-PLY 2X8 SYP#1 LAMINATED COLUMN	11	22' 8
C3	(5)-PLY 2X8 SYP#1 LAMINATED COLUMN	23.5	22' 30
C4	(3)-PLY 2X8 SYP#1 LAMINATED COLUMN	5.5	22' 7
C5	(5)-PLY 2X8 SYP#1 LAMINATED COLUMN	14.5	22' 2

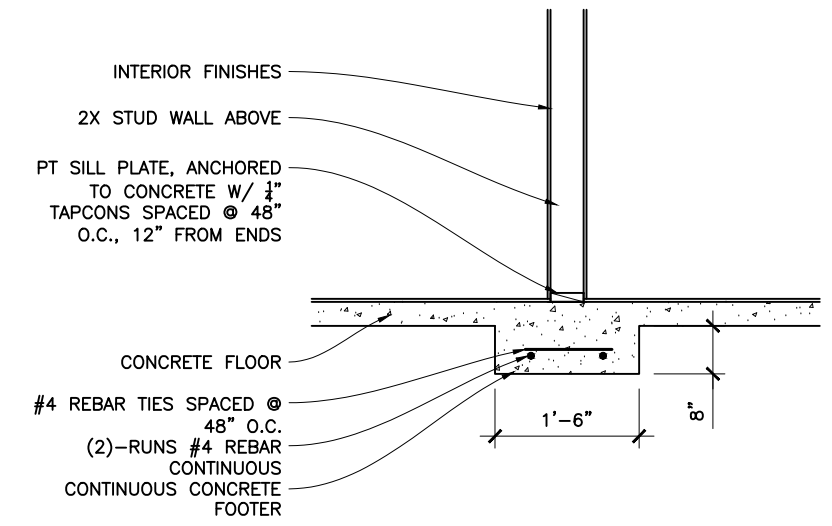
WINDOW SCHEDULE			
#	TYPE	SIZE	NOTES QTY
2	PICTURE	12'-0" x 2'-0" RO	144.5"x24.5" 4
1	SINGLE HUNG	3'-0" x 5'-0" RO	36.5"x60.5" 11

DOOR SCHEDULE			
#	TYPE	SIZE WxH	HARDWARE TYPE NOTES QTY
100	PASS DOOR	6'-0" x 6'-8"	DEADBOLT, KNOB LOCKSET --- 1
101	EXTERIOR PASS DOOR	3'-0" x 6'-8"	DEADBOLT, KNOB LOCKSET --- 22
102	OVERHEAD DOOR OPENING	14'-0" x 14'-0"	--- 15
103	INTERIOR PASS DOOR	3'-0" x 6'-8"	PRIVACY LOCKSET --- 12
104	INTERIOR PASS DOOR	3'-0" x 6'-8"	PASSAGE LOCKSET --- 7
105	PASS DOOR	4'-0" x 6'-8"	PASSAGE LOCKSET --- 2

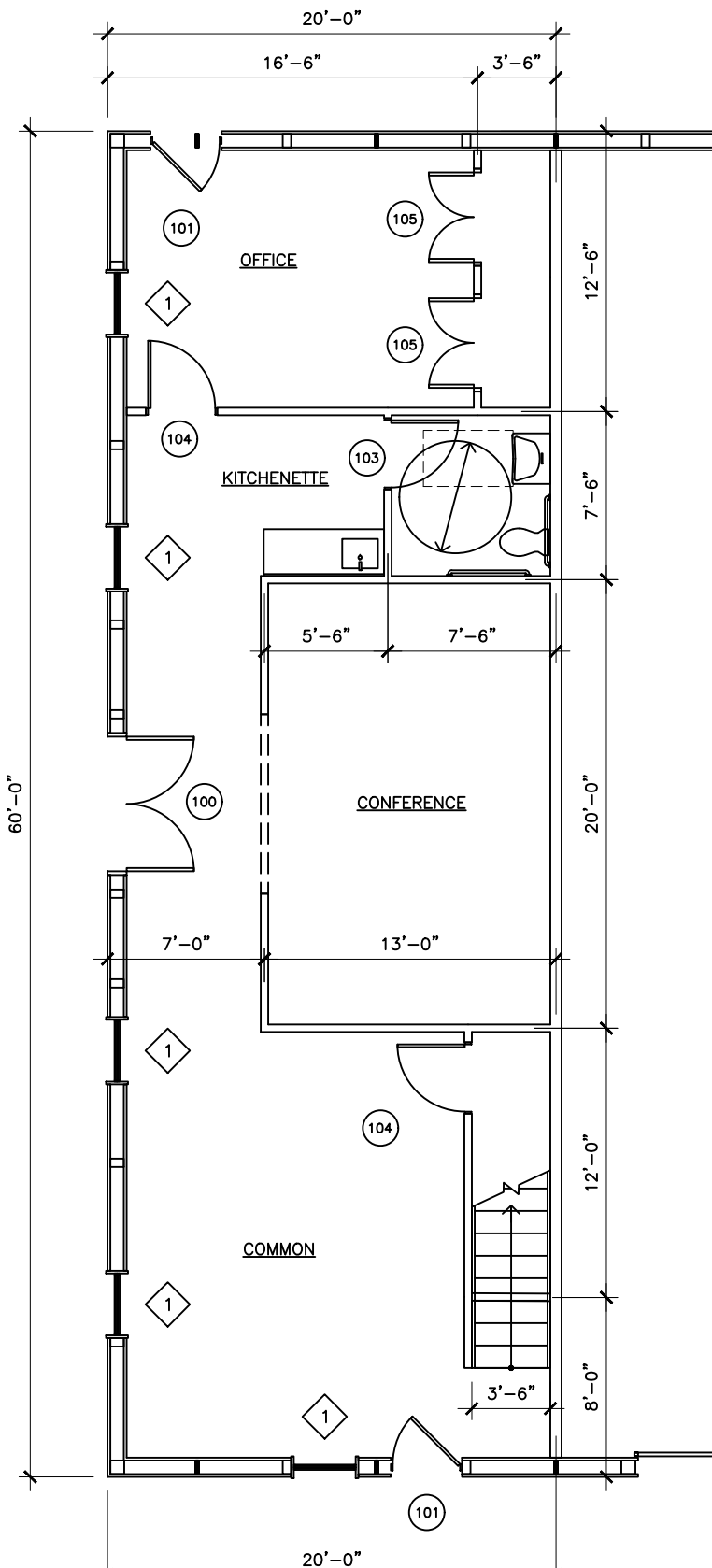
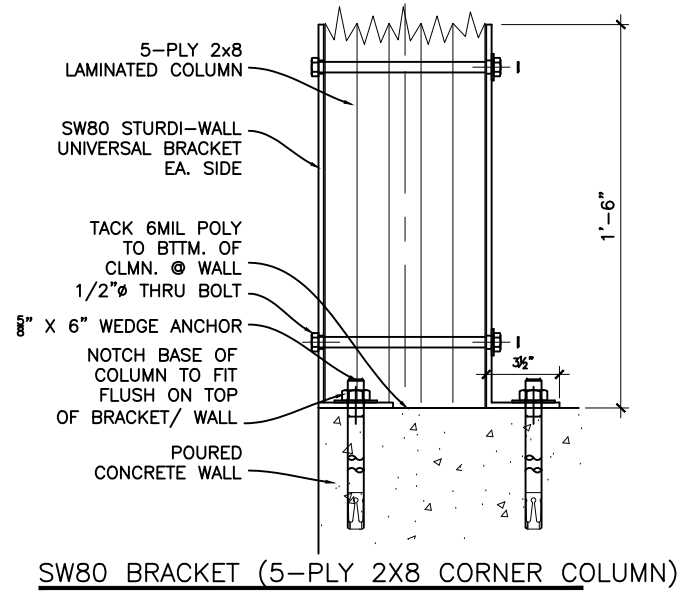
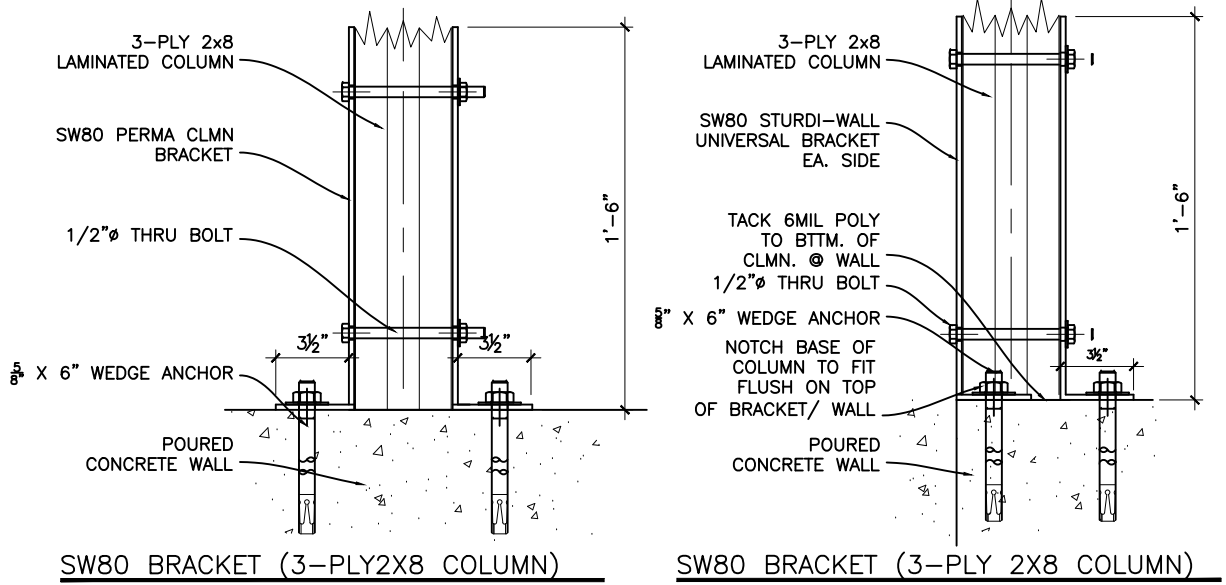
NOTE:
THIS POST FRAME STRUCTURE TO RELY ON INTERIOR PARTITION WALLS (BY OTHERS) FOR ITS REQUIRED DIAPHRAGM. IF FOR ANY REASON THE INTERIOR PARTITION WALLS CANNOT BE BUILT WITHIN A SHORT TIMEFRAME OF THE POSTFRAME SHELL COMPLETION, THEN ADDITIONAL DIAPHRAGM BRACING WILL BE REQUIRED TO MEET THE STRUCTURES REQUIREMENTS. IF THIS WERE TO HAPPEN, THEN 12 LF DIAPHRAGM BRACING INSTALLED TO INSIDE OF EXTERIOR GIRTS @ EA CORNER OF BLDG, FASTENED PER DETAIL BELOW.



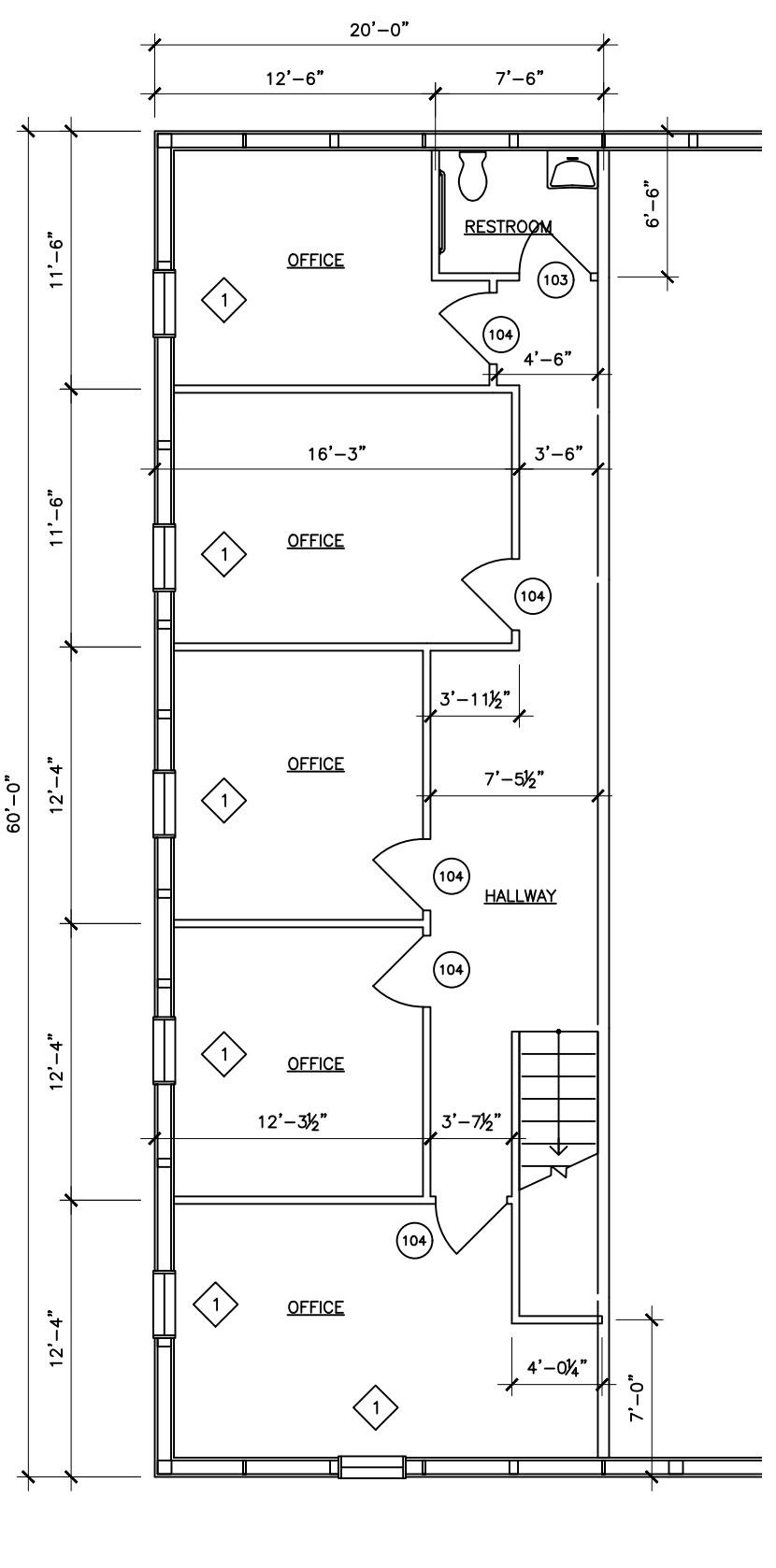
DIAPHRAGM BRACING DETAIL
(SEAMS/ EDGES UNBLOCKED) TEL. 428 ANS/ AFAPA SDPWS-2005



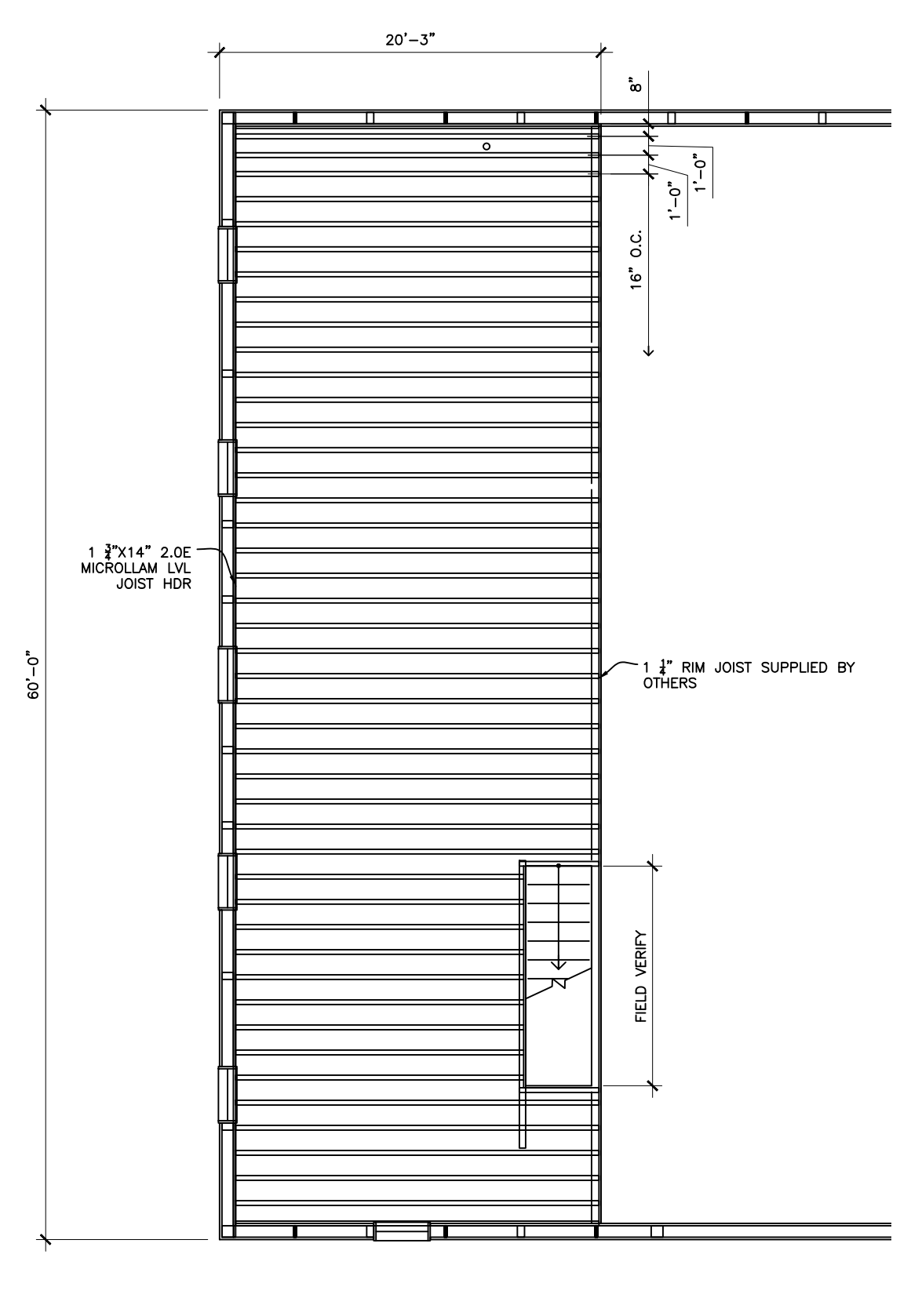
1 STRIP FOOTER DETAIL
3/8" = 1'-0"



OFFICE LAYOUT - 1ST FLOOR
1/8" = 1'-0"



OFFICE LAYOUT - 2ND FLOOR
1/8" = 1'-0"



FLOOR JOIST LAYOUT
1/8" = 1'-0"

NOTE:
FLOOR SYSTEM, STAIRS, RESTROOMS, FIXTURES, ALL INTERIOR WALLS AND FINISHES TO BE SUPPLIED AND INSTALLED BY OTHERS.



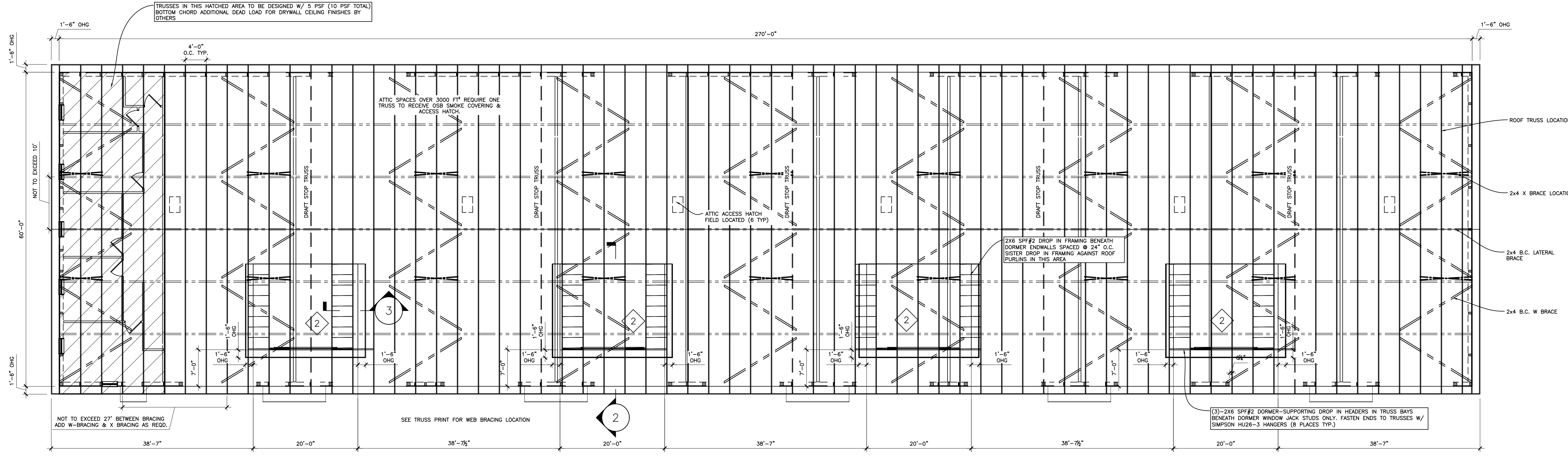
INSTALL FIRST FOUR TRUSSES, THEN INSTALL ALL LATERAL, W & X BRACING.
 REPEAT THIS @ EVERY W-BRACE LOCATION. TOP CHORD PURLINS TO BE INSTALLED
 DURING TRUSS INSTALLATION WITH A SPACING NO GREATER THAN 16'-0" O.C.

INTENT OF THIS TRUSS LAYOUT IS TO SHOW MINIMUM BRACING
 REQUIREMENTS, AND MAY NOT REPRESENT ACTUAL BUILDING SIZE. SEE FLOOR
 PLAN FOR BUILDING DIMENSIONS.

TRUSS NOTES

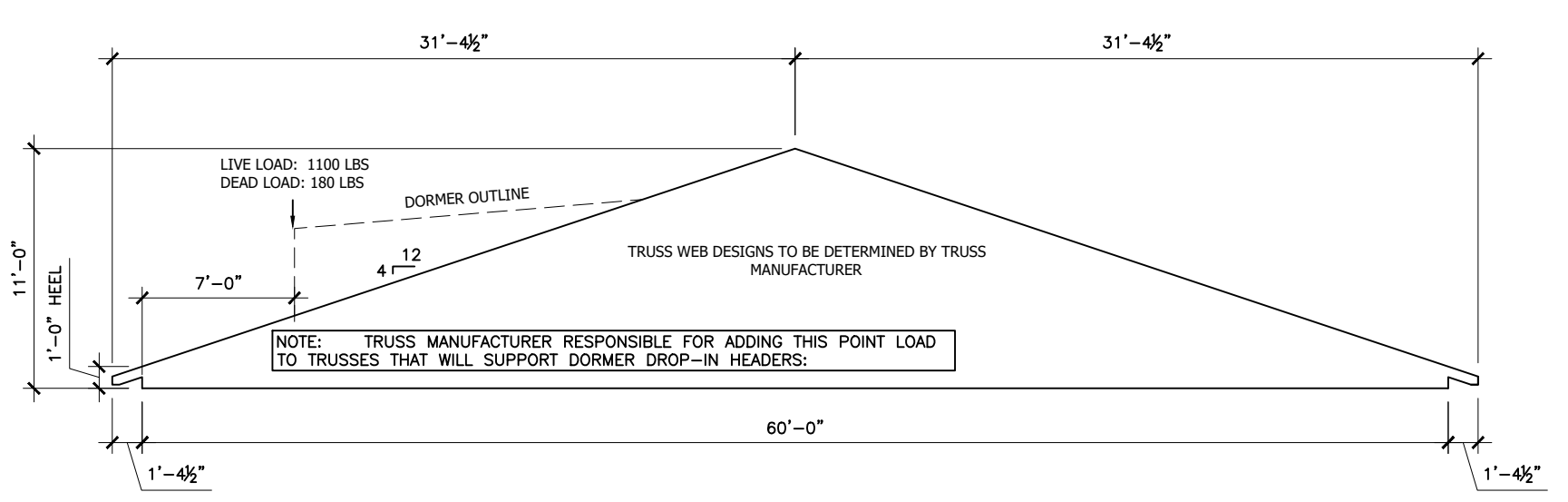
- TOTAL LOAD DEFLECTION OF TRUSSES NOT TO EXCEED L/360
- TRUSS MANUFACTURER TO PROVIDE SHOP DRAWINGS FOR REVIEW
- ROOF TRUSSES SHALL BE DESIGNED TO RESIST MAXIMUM DOWNWARD LOAD AND MAXIMUM WIND UPLIFT. BRACING FOR TRUSSES AND ALL INDIVIDUAL MEMBERS THEREOF SHALL SATISFY THE MAXIMUM CONDITIONS OF EITHER CASE.
- DOWNWARD LOADS SHALL BE BASED ON THE FOLLOWING UNIFORM LOADS:

- GROUND SNOW LOAD	50 PSF
- TC LIVE LOAD:	42 PSF
- TC DEAD LOAD:	5 PSF
- BC DEAD LOAD:	5 PSF
- 10 PSF (ABOVE OFFICES)	
- LOAD DURATION FACTOR: 1.15
- EXPOSURE: B
- DESIGN WIND SPEED: 115 MPH
- CATEGORY: 2
- THERMAL FACTOR: 1.2
- EXPOSURE FACTOR: 1.0
- SLOPE FACTOR: 1.0
- TOTAL UPLIFT SHALL BE BASED ON 2020 BUILDING CODE OF NEW YORK STATE
- GUTTERS AND DOWNSPOUTS TO BE SIZED AND LAYED OUT BY GENERAL CONTRACTOR
- ALL OVERHANGS TO 1" TYP. W/ 2X6 FASCIAS U.N.O.
- TRUSS GABELING IS TO BE 30" O.C. HORIZONTAL TYP.
- DRAFT STOP TRUSSES TO HAVE HORIZONTAL GABELING SPACED @ 24" O.C.

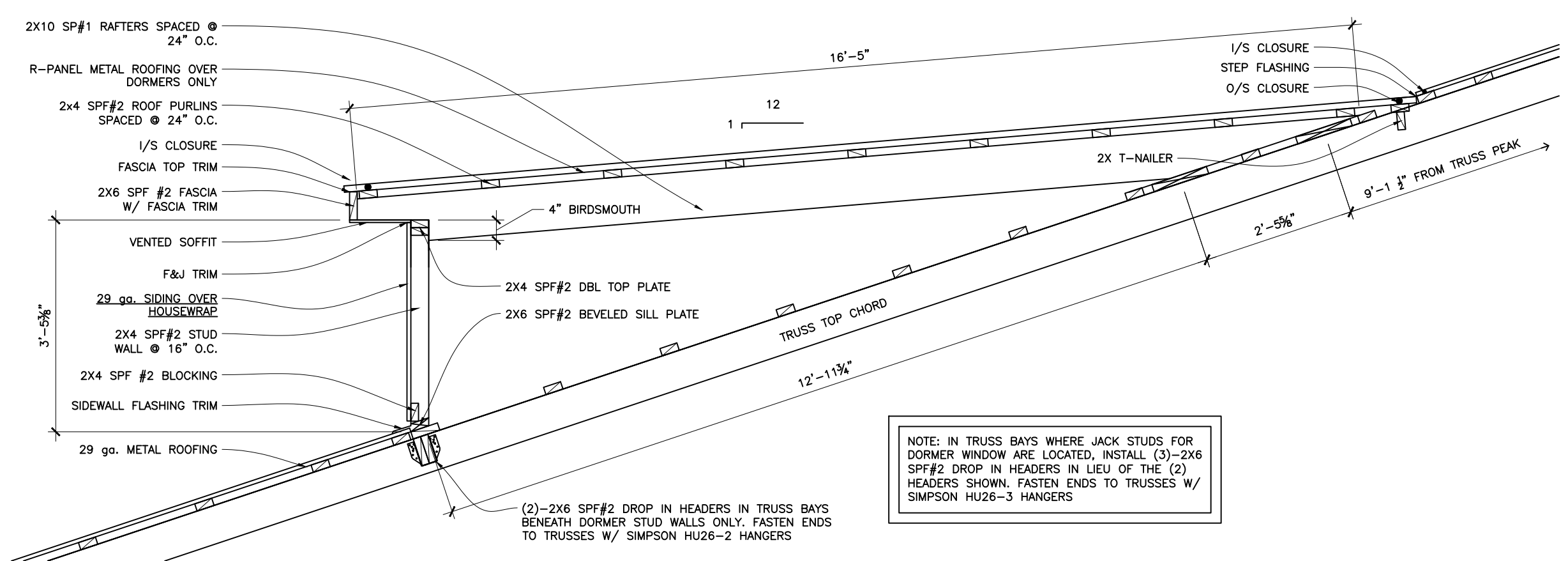


TRUSS LAYOUT
 3/32" = 1'-0"

NOTE: TRUSS MANUFACTURER RESPONSIBLE FOR ADDING THE FOLLOWING POINT LOADS TO TRUSSES THAT WILL SUPPORT DORMER DROP-IN HEADERS:
 LIVE LOAD: 1100 LBS
 DEAD LOAD: 180 LBS

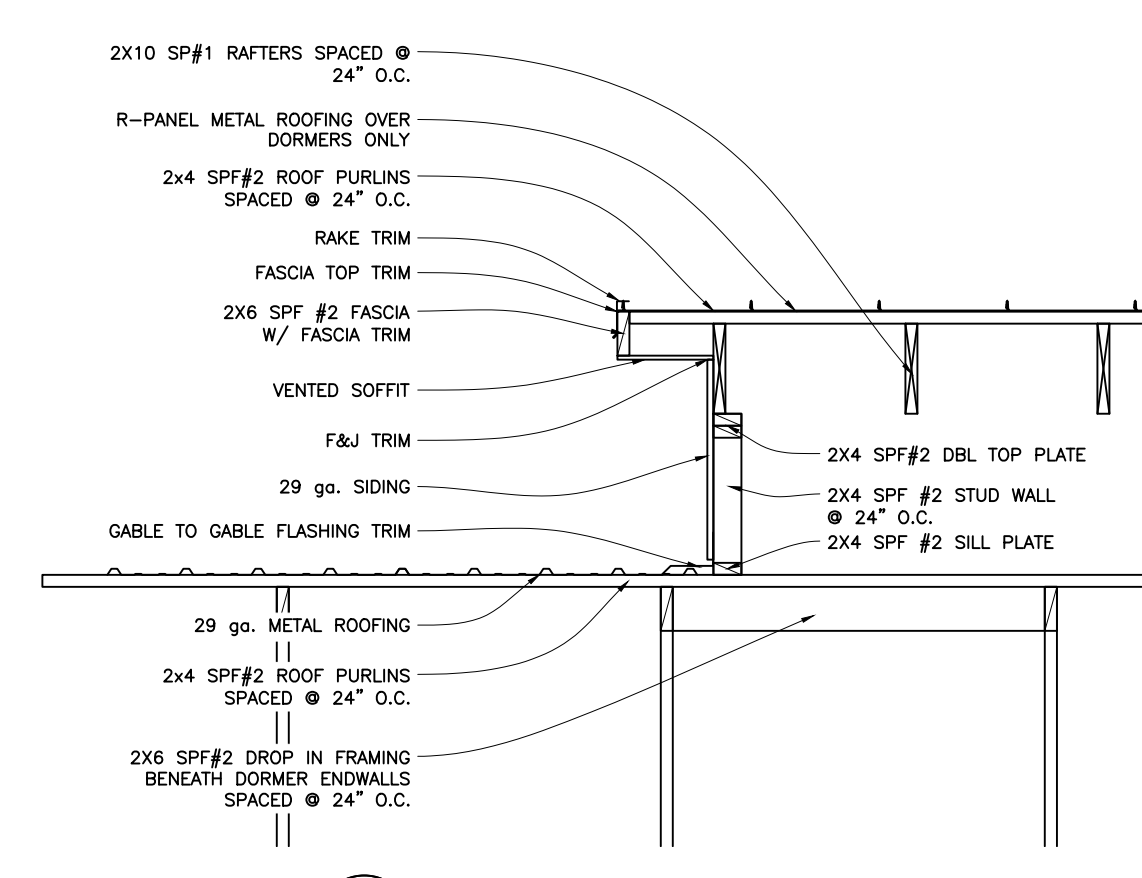


1 TRUSS PROFILE
 1/8" = 1'-0"

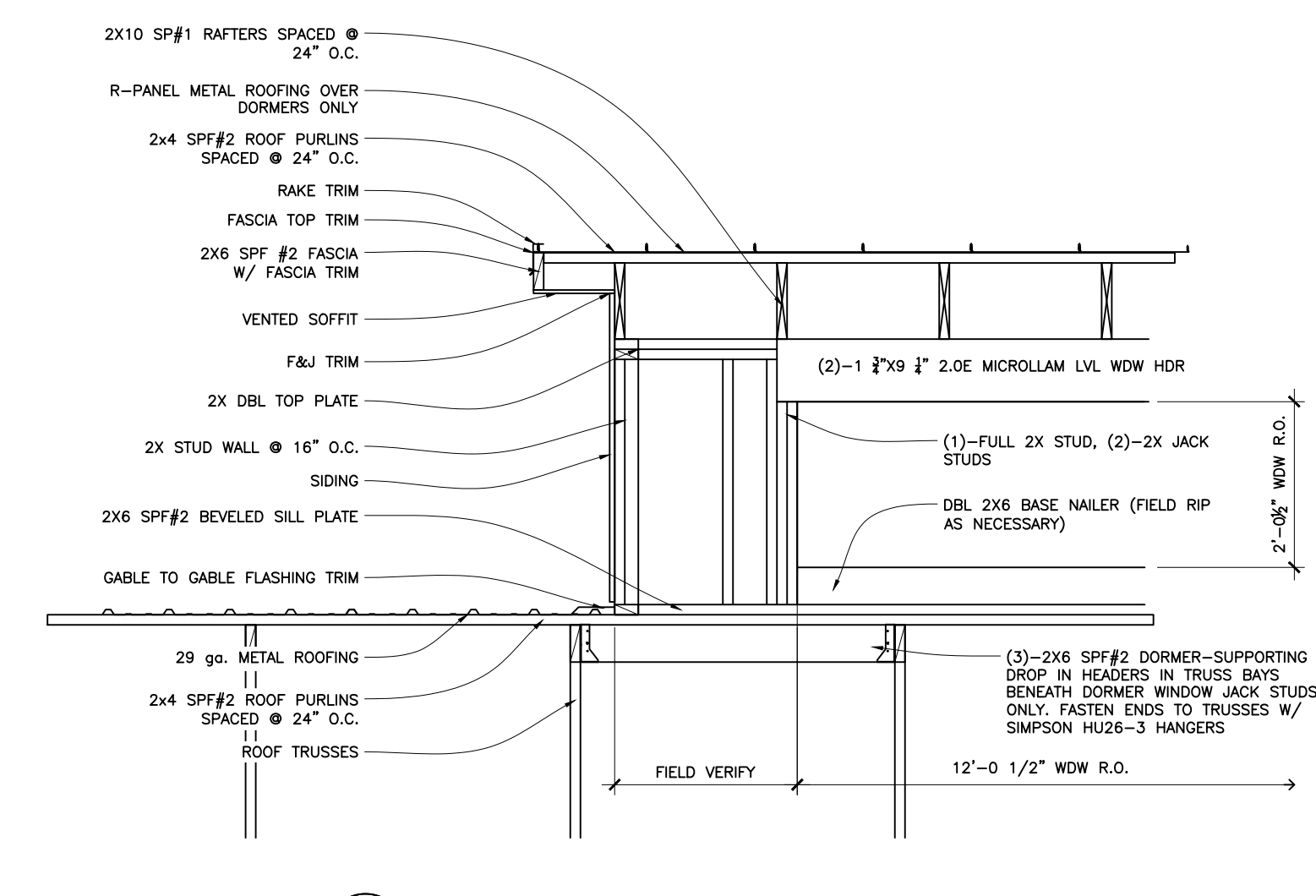


2 DORMER SECTION
 1/2" = 1'-0"

NOTE: IN TRUSS BAYS WHERE JACK STUDS FOR DORMER WINDOW ARE LOCATED, INSTALL (3)-2X6 SPF#2 DROP IN HEADERS IN LIEU OF THE (2) HEADERS SHOWN. FASTEN ENDS TO TRUSSES W/ SIMPSON HU26-3 HANGERS

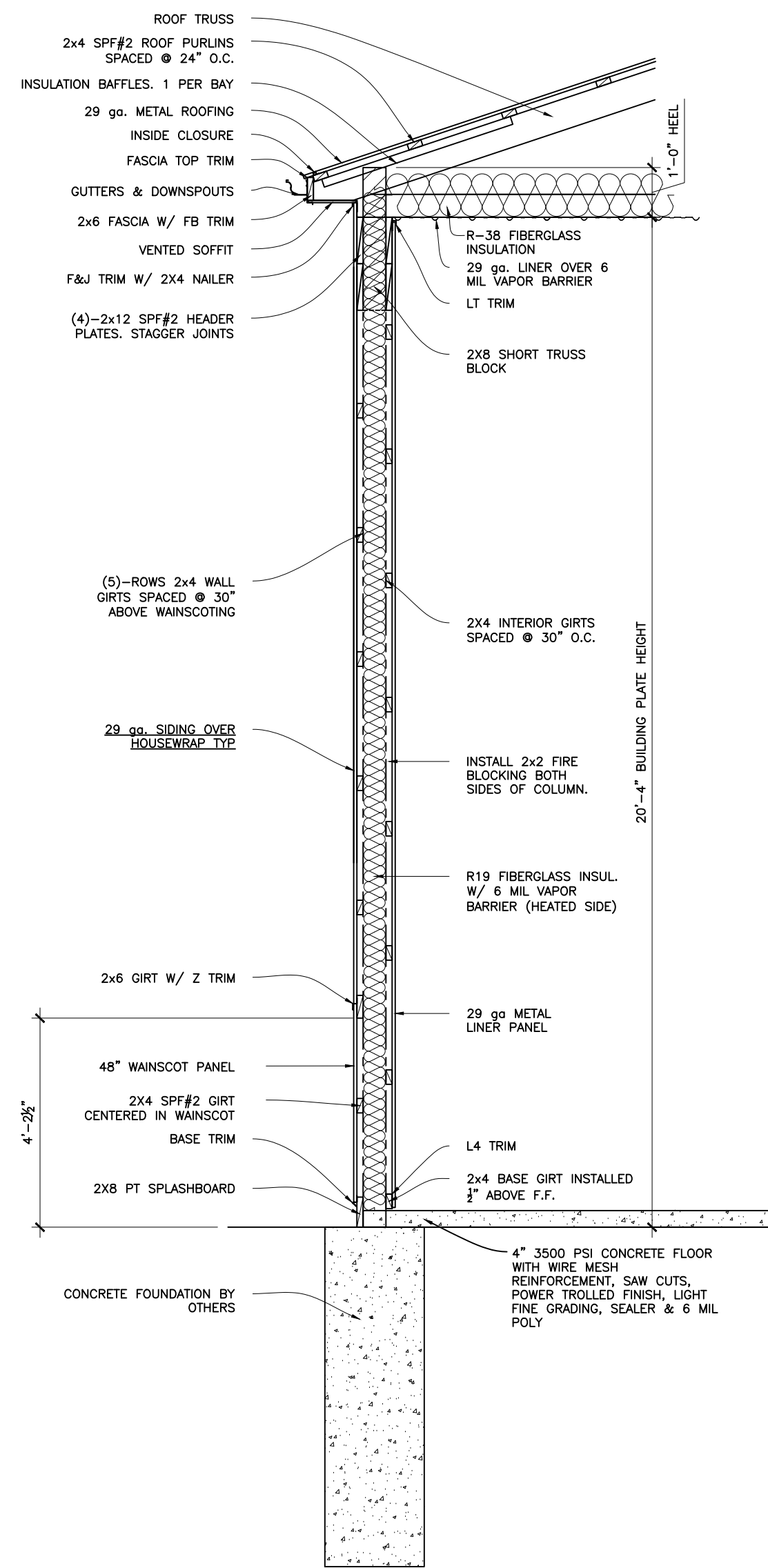


3 DORMER END SECTION
 1/2" = 1'-0"

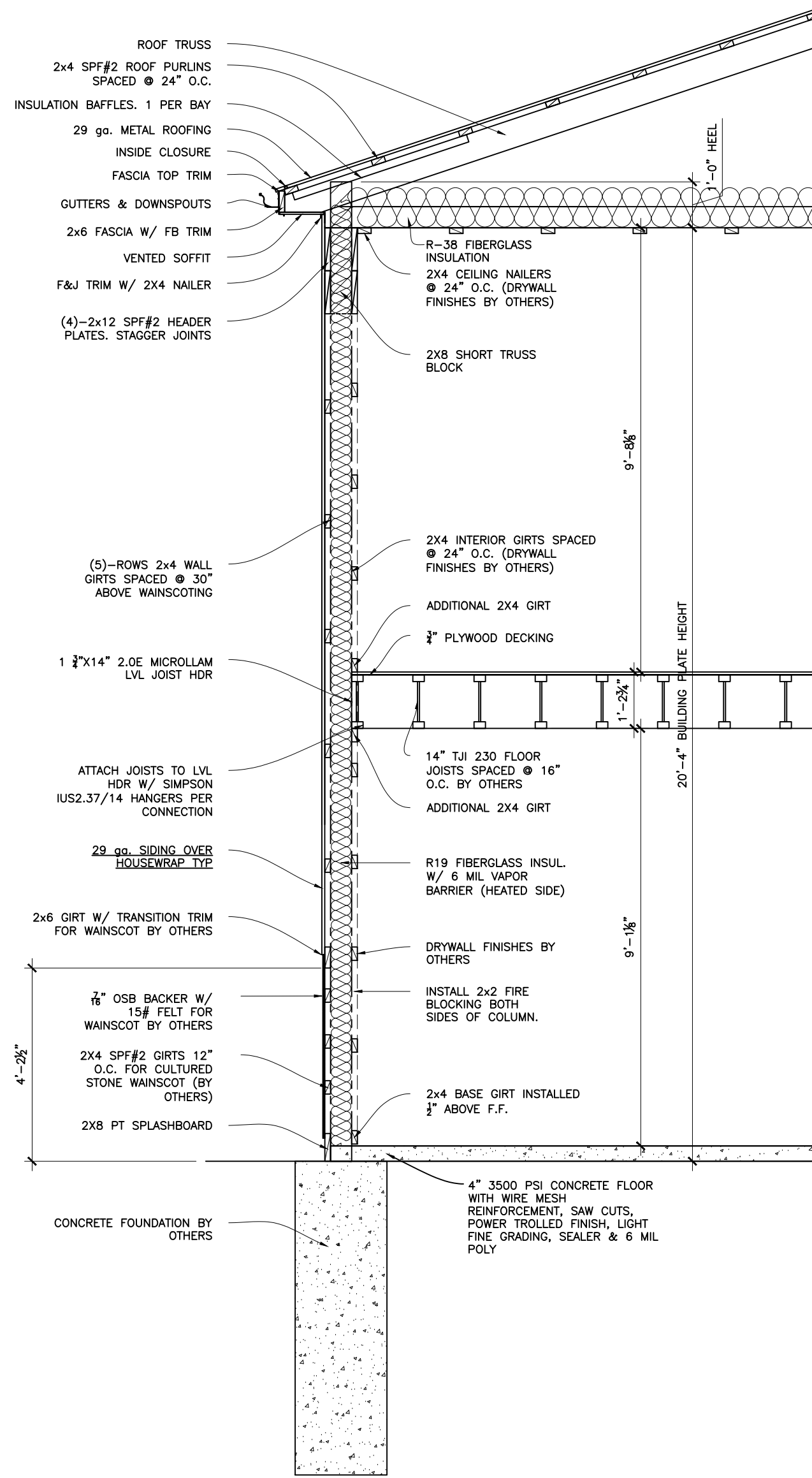


4 DORMER WINDOW FRAMING DETAIL
 1/2" = 1'-0"

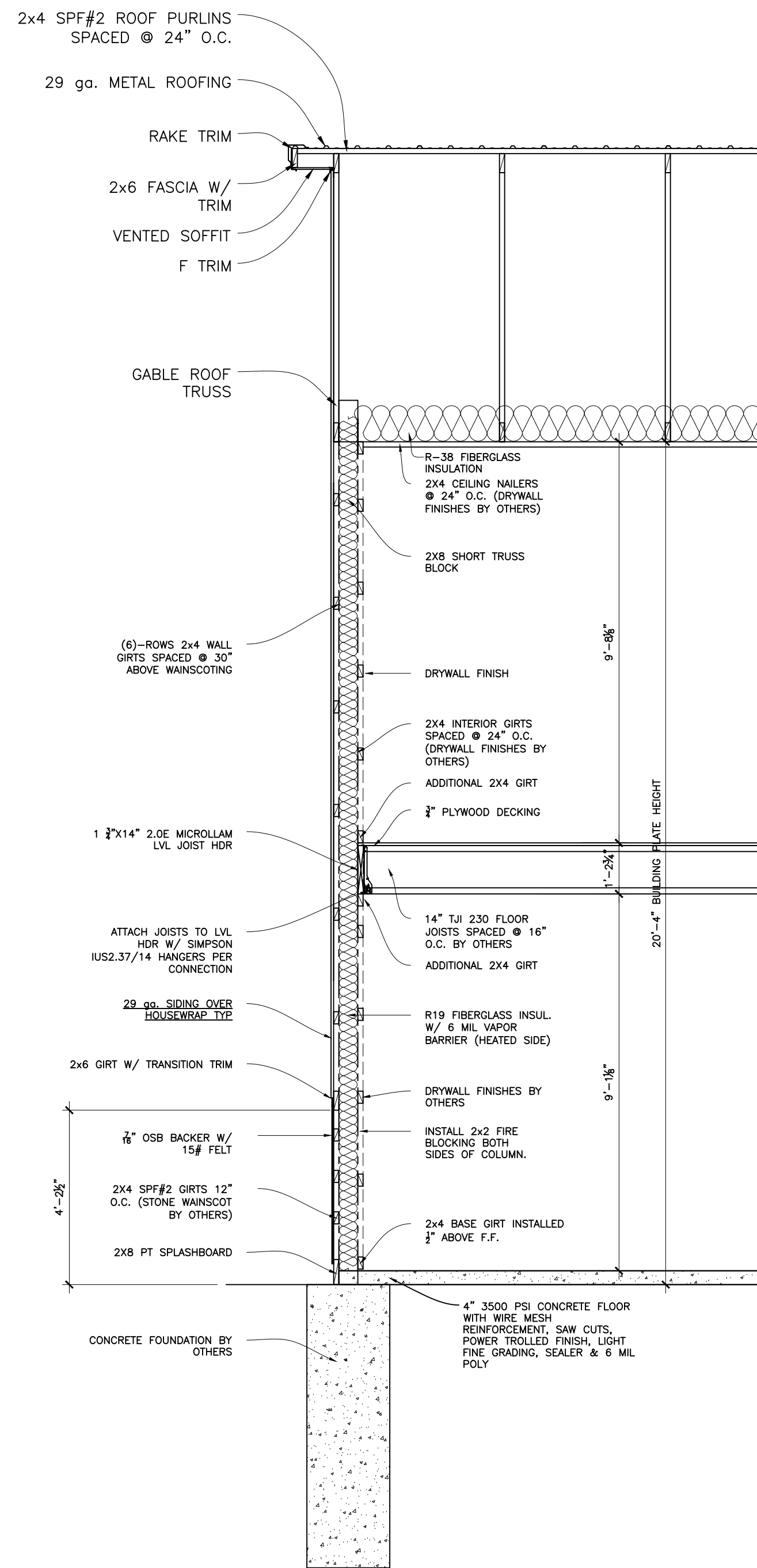




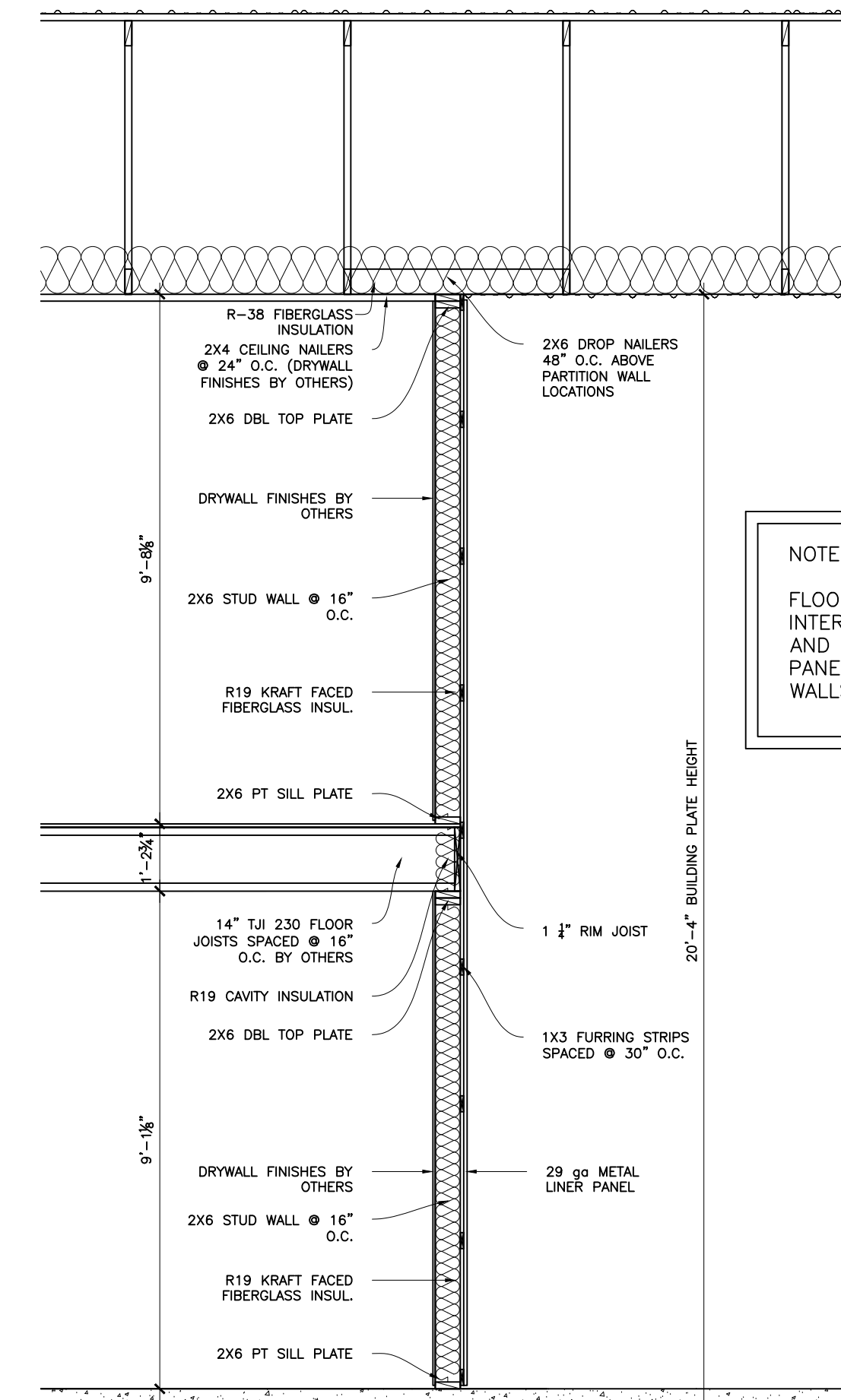
1 BUILDING SECTION
3/8"=1'-0"



2 BUILDING SECTION
3/8"=1'-0"



3 BUILDING SECTION
3/8"=1'-0"

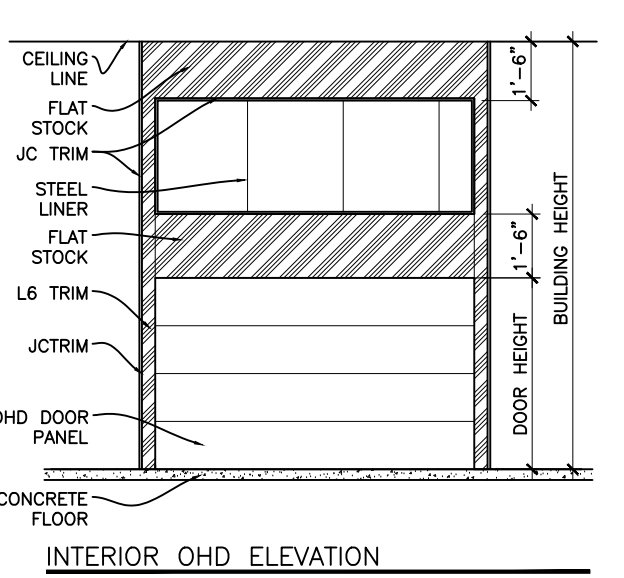
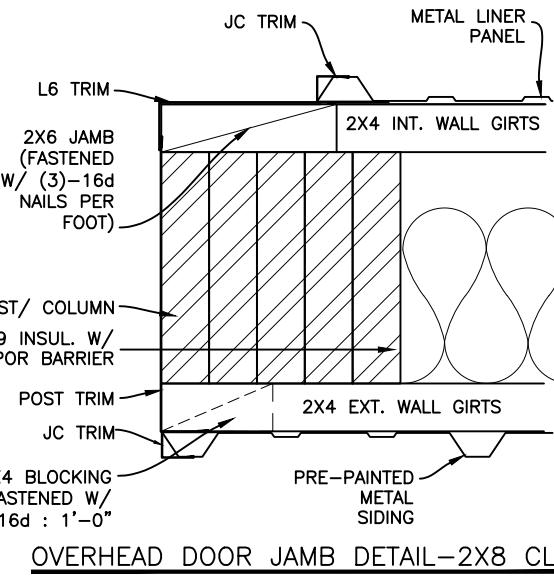
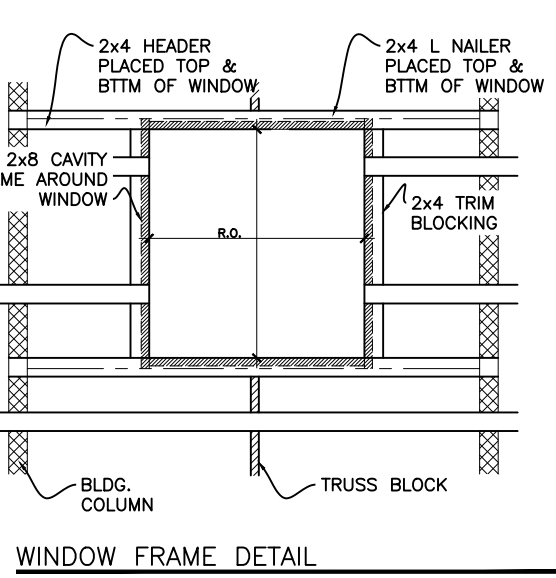
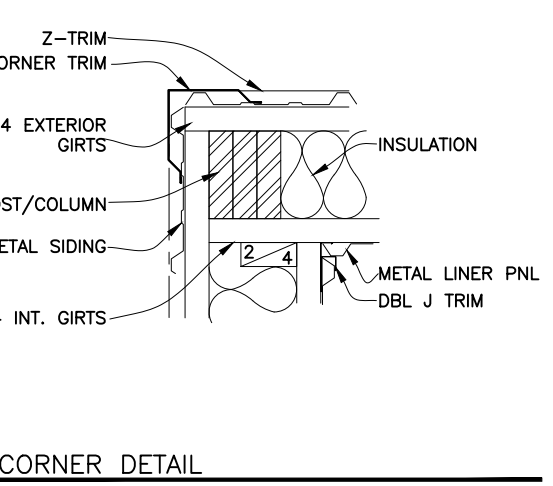
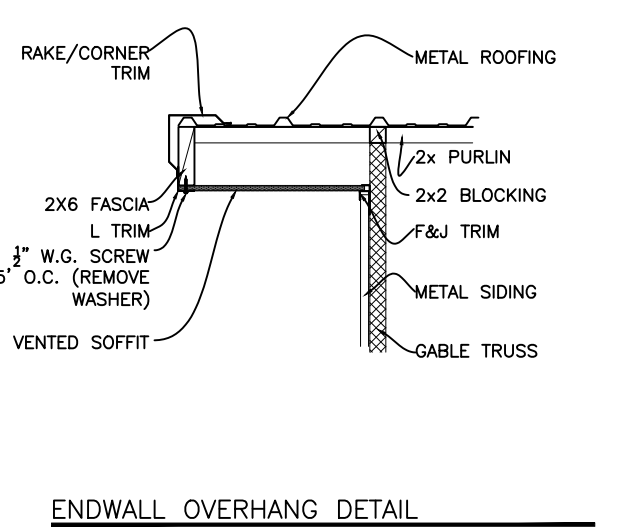
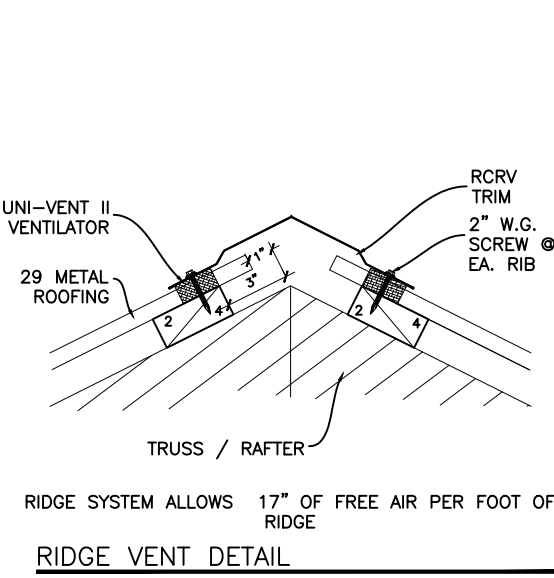
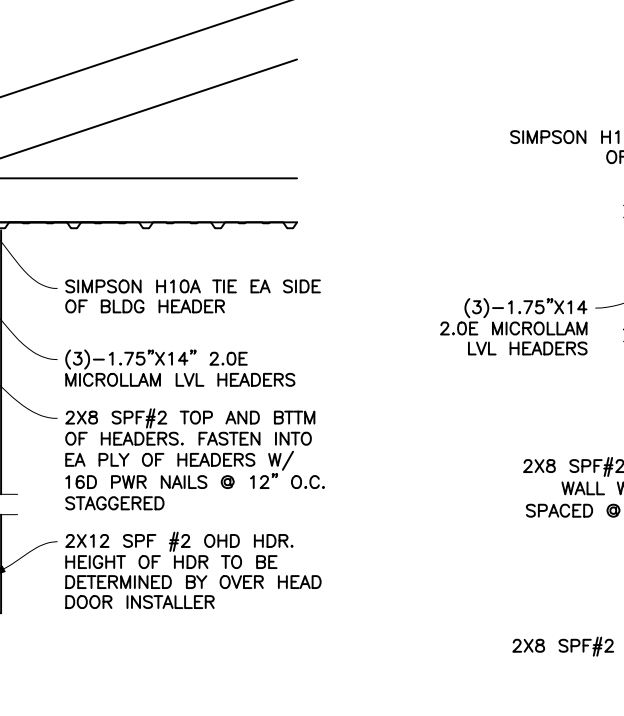
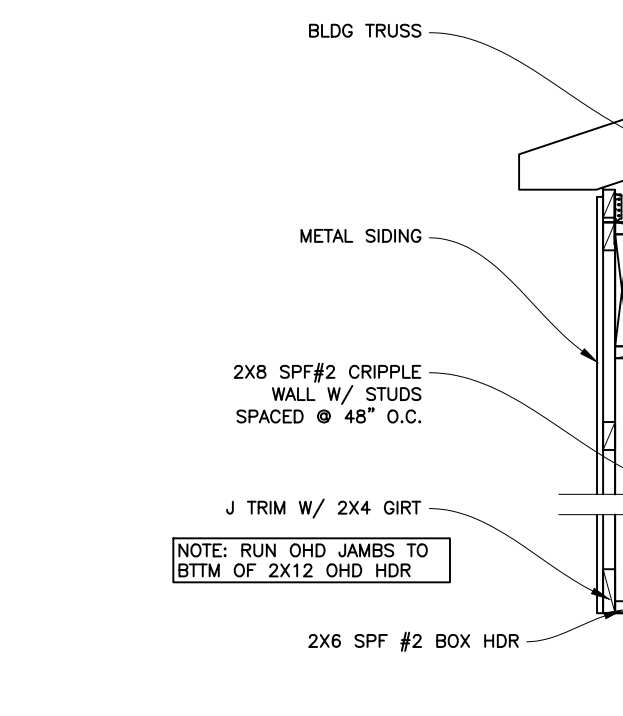
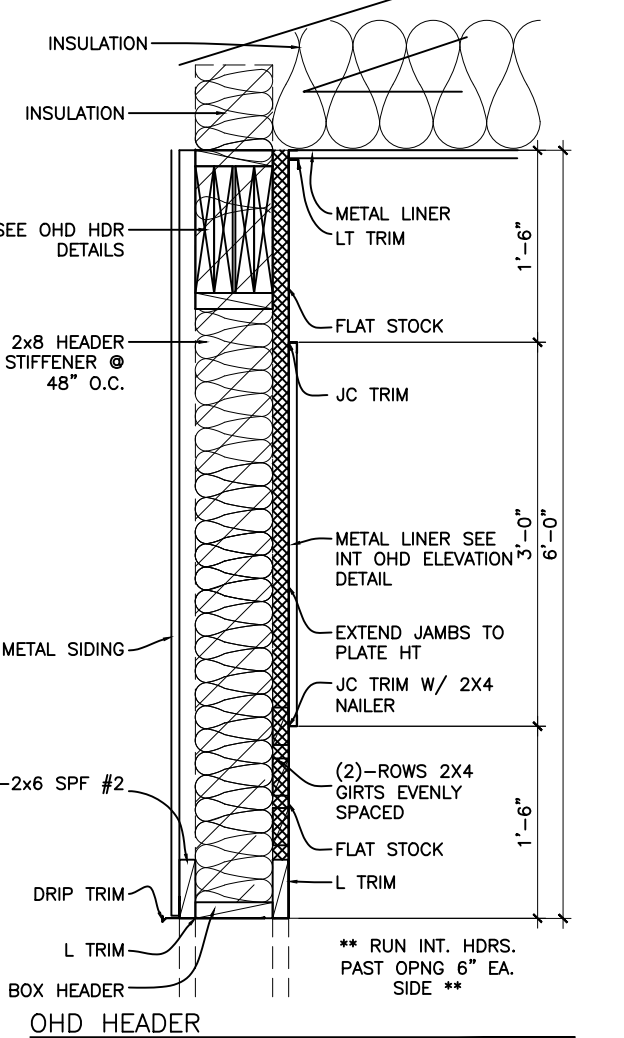
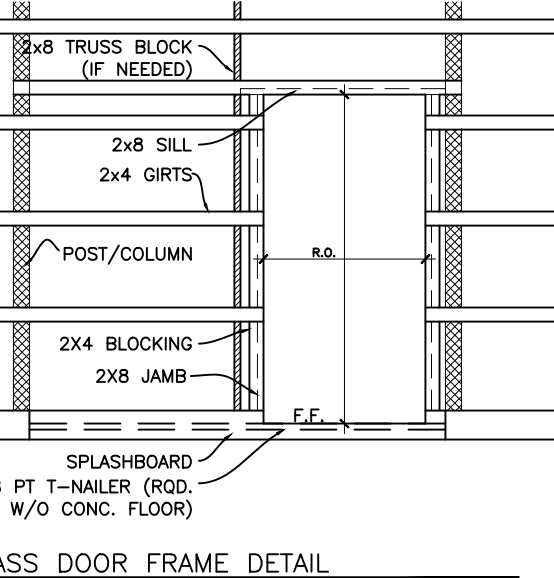
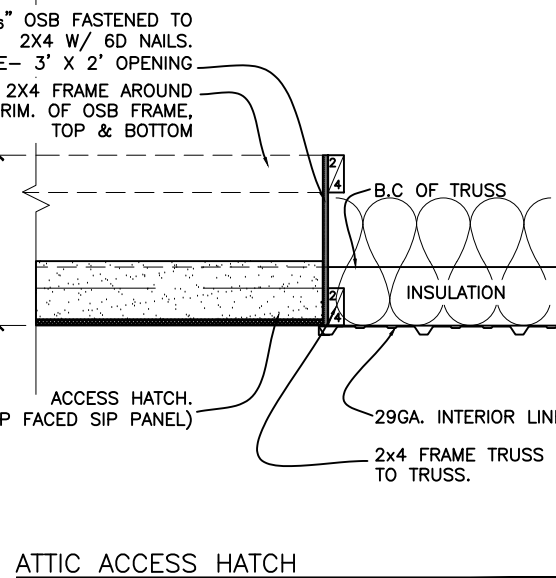
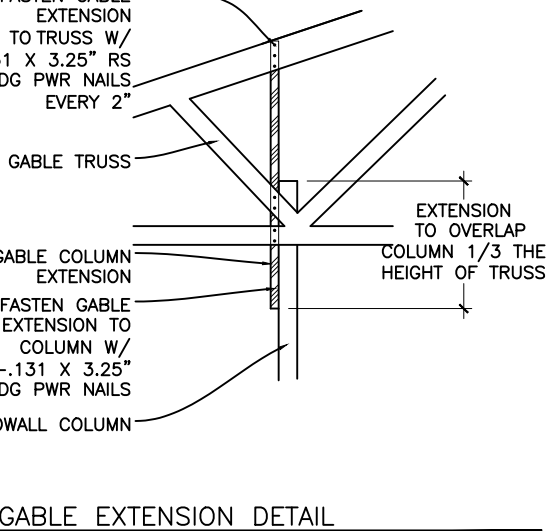
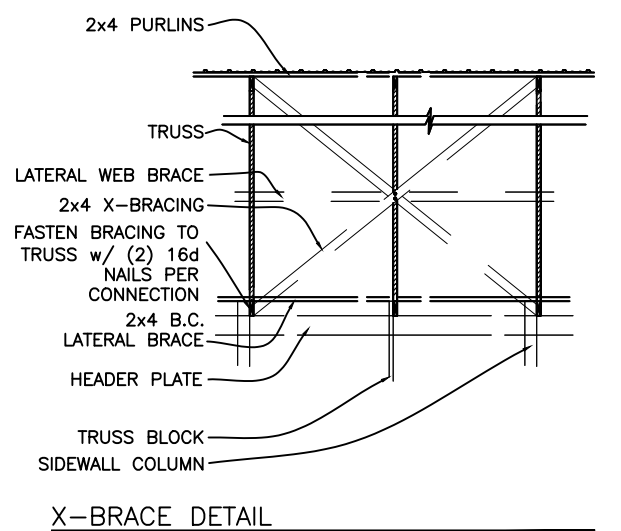
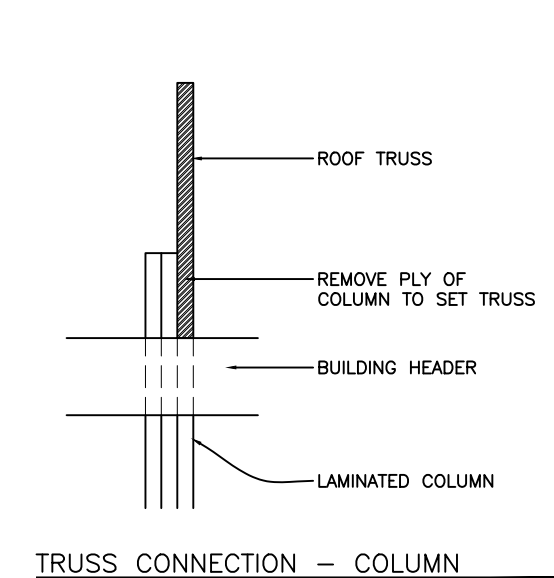


4 BUILDING SECTION
3/8"=1'-0"

NOTE:
FLOOR SYSTEM, STAIRS, RESTROOMS, FIXTURES, ALL INTERIOR WALLS AND FINISHES TO BE SUPPLIED AND INSTALLED BY OTHERS. ALL INSULATION, LINER PANELS AND FURRING STRIPS OVER PARTITION WALLS SUPPLIED AND INSTALLED BY OTHERS



WOOD FRAMING		FASTENER SCHEDULE										ROOFING	
ITEM	QTY	RSS LAG	QTY	HAND NAIL	QTY	POWER NAILS	COMMENTS	ITEM	QTY	TYPE	COMMENTS		
2X12 HEADERS	10	5/16" X 4" RSS LAG	12	20d RS HDG			PER POST, PER SIDE	29 GA. GRAND RIB III+	1	1 1/2" WG SCREW	1 SCREW 9" O.C. @ EA. PURLIN		
2X10 HEADERS	8	5/16" X 4" RSS LAG	10	20d RS HDG			PER POST, PER SIDE	20# STRONG RIB ALUM.	1	1" SS WG SCREW	1 SCREW 9" O.C. @ EA. PURLIN		
2X8 HEADERS	8	5/16" X 4" RSS LAG	8	20d RS HDG			PER POST, PER SIDE	3/4" PLYWOOD SHEATHING	1	8d RS POWER NAIL	1 NAIL 8" O.C. @ EA. PURLIN		
2X6 HEADERS	4	5/16" X 4" RSS LAG	6	20d RS HDG			PER POST, PER SIDE						
1.75X11.875 LVL	10	5/16" X 4" RSS LAG	12	20d RS HDG			PER POST, PER SIDE						
1.75X14 LVL	12	5/16" X 4" RSS LAG	14	20d RS HDG			PER POST, PER SIDE						
1.75X16 LVL	14	5/16" X 4" RSS LAG	16	20d RS HDG			PER POST, PER SIDE						
1.75X18 LVL	16	5/16" X 4" RSS LAG	18	20d RS HDG			PER POST, PER SIDE						
1.75X24 LVL	22	5/16" X 4" RSS LAG	24	20d RS HDG			PER POST, PER SIDE						
SPLASHBOARD	4	16d RS HDG	6	3.25" X .131 RS HDG			PER POST	5/8" T1-11	1	6d RS POWER NAIL	1 NAIL 8" O.C. @ EA. CONN.		
FASCA	3	16d RS HDG	3	3.25" X .131 RS HDG			PER CONNECTION	ROUGH SAWN BOARD	2	8d RS POWER NAIL	2 NAILS TO EA. CRT, SPLASH & HDR		
EXTERIOR GIRTS	2	16d RS HDG	3	3.25" X .131 RS HDG			PER CONNECTION	ROUGH SAWN BATTEN	1	12d RS POWER NAIL	BLIND NAIL 12" O.C.		
INTERIOR GIRTS/CEILING GIRTS	2	16d RS HDG	2	3.25" X .131 RS HDG			PER CONNECTION	HARDPLANK SIDING	1	4d SS POWER NAILS	1 NAIL 8" O.C. @ EA. CONN.		
24" OHD HEADER TRUSS	8	5/16" X 4" RSS LAG	10	20d RS HDG			PER CONNECTION	HARDPLANK SIDING	1	4d SS POWER NAILS	1 NAIL 16" O.C.		
2X2 SMOKE STOPS	2	16d RS HDG	2	3.25" X .131 RS HDG			PER CONNECTION	VINYL SIDING	1	1 1/2" SIDING NAIL	BLIND NAIL 24" O.C. (MAX)		
PURLINS	2	16d RS HDG	3	3.25" X .131 RS HDG			PER CONNECTION	CEDAR CLAPBOARD SIDING	1	6d SS POWER NAILS			
TRUSS BRACING	2	16d RS HDG	2	3.25" X .131 RS HDG			PER CONNECTION	DIAPHRAGM BRACING (UNLOCKED)	1	6d RS POWER NAIL @ 6" O.C. @ PLYWOOD SEAMS			
48" Y-BRACE BLKS	8	16d RS HDG	8	3.25" X .131 RS HDG			PER CONNECTION	DIAPHRAGM BRACING (LOCKED)	1	6d RS POWER NAIL @ 12" O.C. @ BLDG GIRTS			
12" Y-BRACE BLKS	8	16d RS HDG	8	3.25" X .131 RS HDG			PER CONNECTION	DIAPHRAGM BRACING (LOCKED)	1	6d RS POWER NAIL @ 4" O.C. @ PLYWOOD SEAMS			
TRUSS UNDER 31"	5	20d RS HDG					PER CONNECTION						
TRUSS 31"-40"	10	20d RS HDG					PER CONNECTION						
TRUSS 41"-51"	13	20d RS HDG					PER CONNECTION						
TRUSS BLOCKS FOR BLDGS UNDER 31"	4	16d RS HDG	5	3.25" X .131 RS HDG			PER SIDE OF HEADER						
TRUSS BLOCKS FOR BLDGS 31"-60"	7	16d RS HDG	11	3.25" X .131 RS HDG			PER SIDE OF HEADER	2X12 TRACK BOARD	10	RSS LAGS	PER BOARD		
TRUSS BLKS FOR BLDGS 61"-81"	9	16d RS HDG	15	3.25" X .131 RS HDG			PER SIDE OF HEADER	2X8 TRACK BOARD	6	16d RS PWR NAIL	PER BOARD		
LIFT BLOCK	8	3.25" X .131 RS HDG					PER BLOCK						
STUDS	2	3.25" X .131 RS HDG					PER CONNECTION						
PT SILL PLATE	1	1/4" X 3-1/4" HEX HEAD TAPCON EVERY 48" O.C.					PER CONNECTION						
1x3 FURRING STRIPS	3	16d RS HDG					PER CONNECTION						
2x6 T&G	3	16d RS HDG					PER CONNECTION						



1 OVERHEAD DOOR HEADER DETAILS
1/2" = 1'-0"

