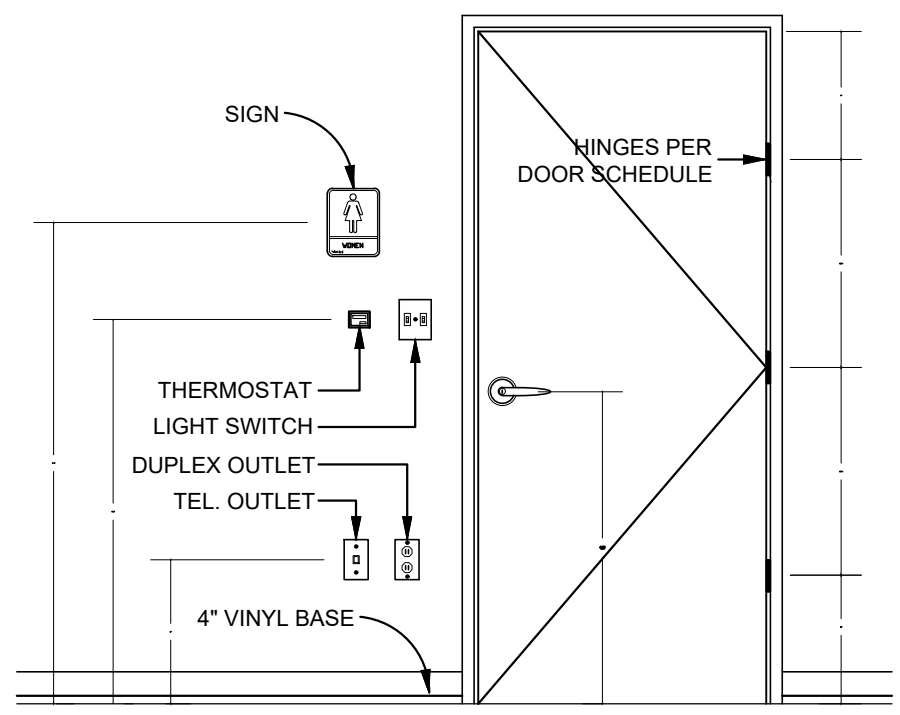
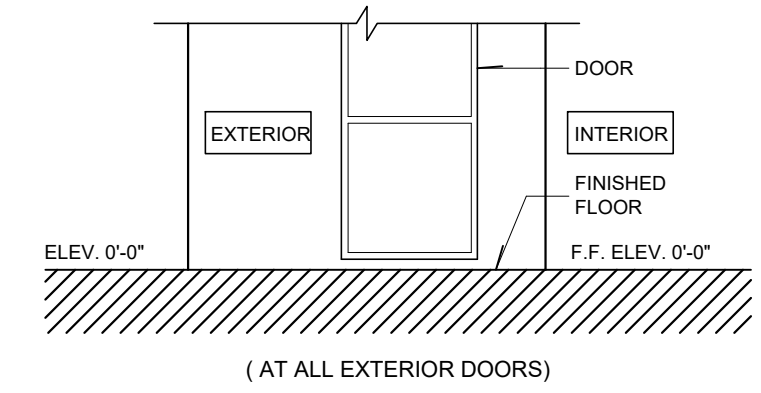


**1 FLOOR PLAN**  
SCALE: 1/4" = 1'-0"

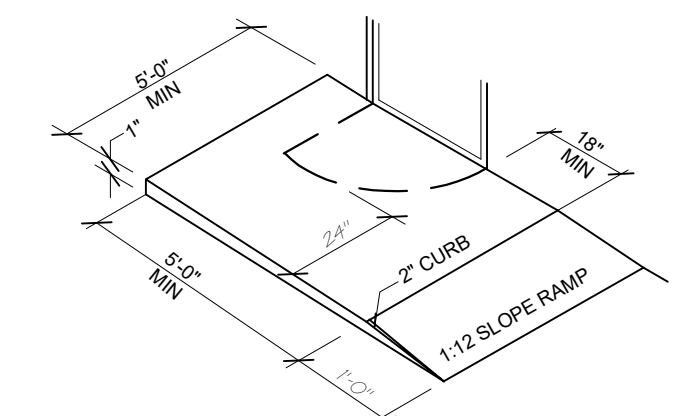
**2 TYPICAL MOUNTING HTS.**



**3 TRESHOLD DETAIL**



**4 LANDING DETAIL**



NOTE:  
1 LANDING SHALL HAVE A SLOPE NOT EXCEED 1/4 UNIT VERTICAL IN 12 UNITS HORIZONTAL (2% SLOPE)

**5 SCHEDULE ROOM**

ROOM	FLOOR	BASE	WALLS	CEILING	NOTES
100- LOBBY					
101- RECEPTION					
102- TODDLER					
103- DIAPERS CHANGING					
104- INFANTS ROOM					
105- OPEN PLAY					
106- FLEX ROOM					
107- PLAY SCAPE					
108- ART AREA					
109- TABLE AREA					
110- KITCHEN					
111- BOYS TOILET					
112- GIRLS TOILET					
113- LAUNDRY					
114- TOILET					

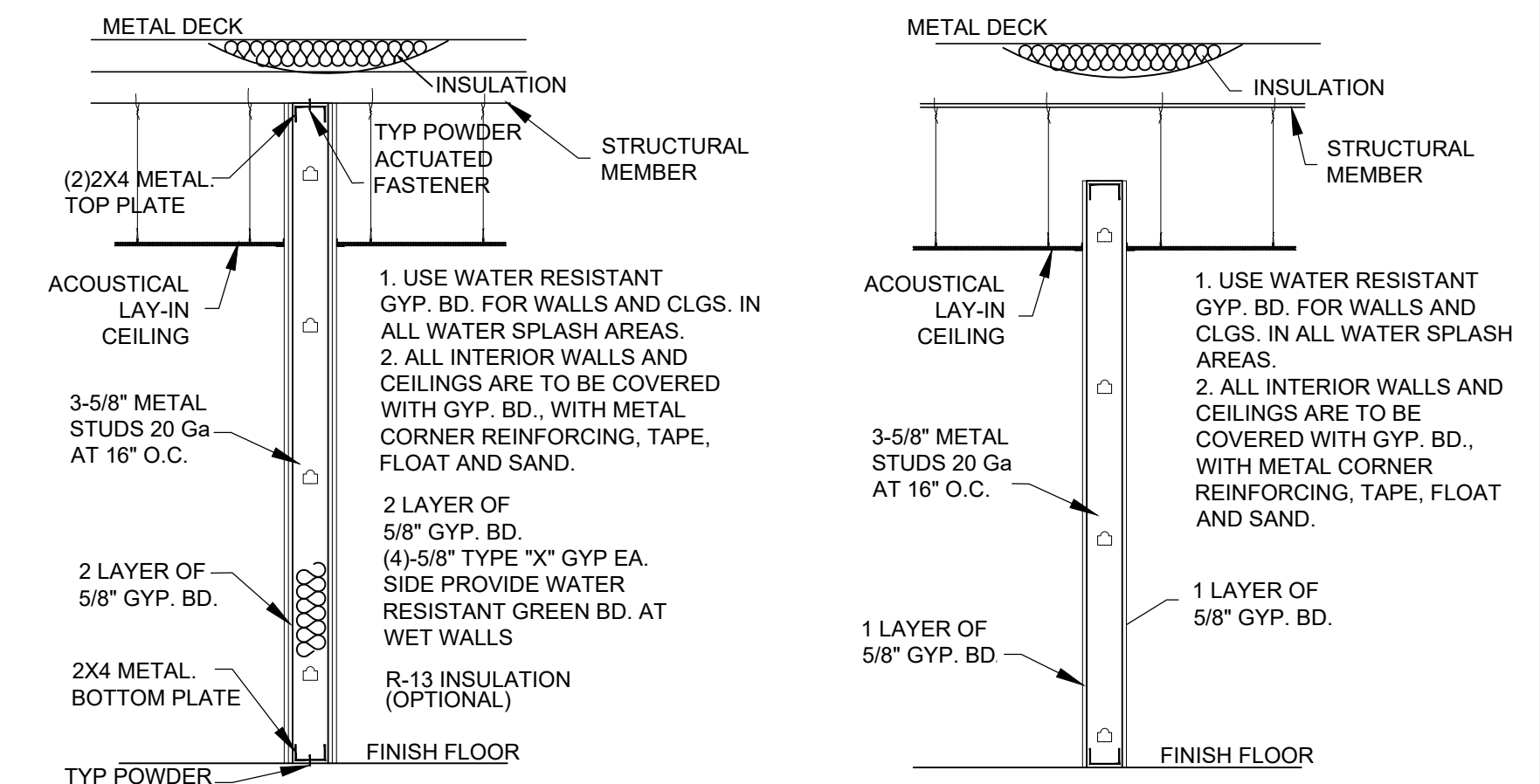
NOTE: INTERIOR FINISH MATERIALS FOR FRP WALLS AND VINYL FACED CEILING TILES WILL BE A MINIMUM CLASS "C" MATERIALS PER TABLE 803.5 IBC 2012

**MATERIAL TYPES**

GYPSON BOARD IN RESTROOMS WILL BE OF WATER RESISTANT TYPE.  
RESTROOM PAINTED GYP BOARD WALLS AND CEILING TO BE WHITE COLOR, WHILE THE CERAMIC TILES ARE TO BE WHITE COLOR.  
CEILING TILE IN UTILITY ROOM & VESTIBULE SHALL BE SMOOTH, NON-ABSORBENT, AND EASILY CLEANABLE AND WHITE IN COLOR.  
THE WALLS AND FLOORS IN THE UTILITY ROOM AND RESTROOMS SHALL BE SMOOTH, NON-ABSORBENT, AND EASILY CLEANABLE AND WHITE IN COLOR.  
BEVERAGE STATION FRP WALLS TO BE WHITE IN COLOR.  
COUNTINOUS, FLUSH TILE COVE BASE MOLDING SHALL BE UTILIZED AT THE WALL/FLOOR JUNCTURE IN THE UTILITY, RESTROOMS, AND SERVICE AREAS.  
THE INSIDE SURFACES OF CABINETS AND COUNTER TO THE SEALED, CAULKED AND PAINTED

NO	DESCRIPTION
1	EXISTING 8" CMU EXTERIOR WALLS
2	EXISTING STORE FRONT
3	INTERIOR WALL 5/8" GYP. BOARD ON 3/8" METAL STUD @ 16" O.C. TAPE, FLOAT AND SAND
4	INTERIOR PARTITION- W/ 5/8" GYP BOARD TYPE "X" ONE SIDE ON 3-5/8" METAL STUDS @ 16" O.C. TAPE, FLOAT AND SAND. CERAMIC TILE WHERE AS NECESSARY
5	INTERIOR WALL 5/8" GYP. BOARD ON 3-5/8" METAL STUD @ 16" O.C. W/ BATT FILL. TAPE, FLOAT AND SAND 2HR-FIRE RATED CERAMIC TILE WHERE AS NECESSARY
6	4'-0" INTERIOR WALL 5/8" GYP. BOARD ON 3/8" METAL STUD @ 16" O.C. TAPE, FLOAT AND SAND AND 6'-0" HGT FLEXIGLASS TO THE CEILING

**6 WALL TYPES**



**DETAIL "A"**

**DETAIL "B"**

**7 DOOR SCHEDULE & NOTES**

**DOOR HARDWARE SCHEDULE**  
1. 3-HINGES, DOOR CLOSURE, (EXT.) PULL HANDEL W/GLASS DOOR LOCK, (INT.) PUSH BAR, NOTE ON DOOR STATING "THIS DOOR TO REMAIN UNLOCKED WHEN BUILDING IS OCCUPIED" (SIDE-HINGED SWINGING) PER SECTIONS 1008.1.8.3.  
2. 3-HINGES, DOOR CLOSURE, (EXT.) PULL HANDEL, (INT.) PANIC HARDWARE  
3. 3-HINGES, DOOR CLOSURE, (EXT.) PULL HANDEL W/KEY LOCK SET, (INT.) PANIC HARDWARE  
4. 3-HINGES, DOOR CLOSURE, PRIVACY LOCK SET W/LEVER HANDLES.  
5. 3-HINGES, DOOR CLOSURE, PULL HANDEL, PUSH PLATE  
6. 3-HINGES, DOOR CLOSURE, KEY LOCK SET W/LEVER HANDLES, DOOR CLOSER, SELF CLOSER DOOR  
7. 3-HINGES, DOOR CLOSURE, PASSAGE LATCH SET W/LEVER HANDLES SELF CLOSING DOOR

**GENERAL DOOR NOTES**  
1. DOOR LATCH SHALL BE RELEASED WHEN SUBJECTED TO A 5LBS. FORCE FOR INTERIOR DOOR AND 8 LBS. FORCE FOR EXTERIOR DOOR FROM INSIDE WITHOUT THE USE OF A KEY OR ANY SPECIAL FORCE.  
2. THE LATCH SHALL HAVE THE LEVER AND SHALL BE MOUNTED AT 42" ABOVE THE FINISHED FLOOR (A.F.F.), EXCEPT AT ACCESSIBLE STALLS WHICH SHALL BE MOUNTED BETWEEN 34" TO 38" A.F.F.  
3. ALL INTERIOR DOORS SHALL HAVE DOOR STOPS.  
4. ALL EXTERIOR DOORS SHALL HAVE THRESHOLDS.

NO.	QTY.	SIZE	MATERIAL	FRAME	H.W.	HDR. HT.	REMARKS
(A)	1	3'-0"x7'-0"	GLASS	METAL	1	7'-0"	EXISTING
(B)	3	3'-0"x7'-0"	METAL	METAL	2	7'-0"	EXISTING
(C)	11	3'-0"x7'-0"	SOLID WOOD	METAL	7	7'-0"	NEW
(D)	2	3'-0"x7'-0"	SOLID WOOD	METAL	6	7'-0"	NEW
(E)	1	3'-0"x7'-0"	SOLID WOOD	METAL	7	7'-0"	NEW /SLIDING DOOR

**8 TYPICAL WALL DETAIL**

**REVISIONS**


**PROJECT NO:**  
**DRAWN BY:** ND  
**CHECKED BY:** ND  
**SHEET TITLE:**  
**FLOOR PLAN**  
1/4" = 1'-0"  
**DATE OF ISSUE:** 06.20.19  
**SHEET NUMBER:**