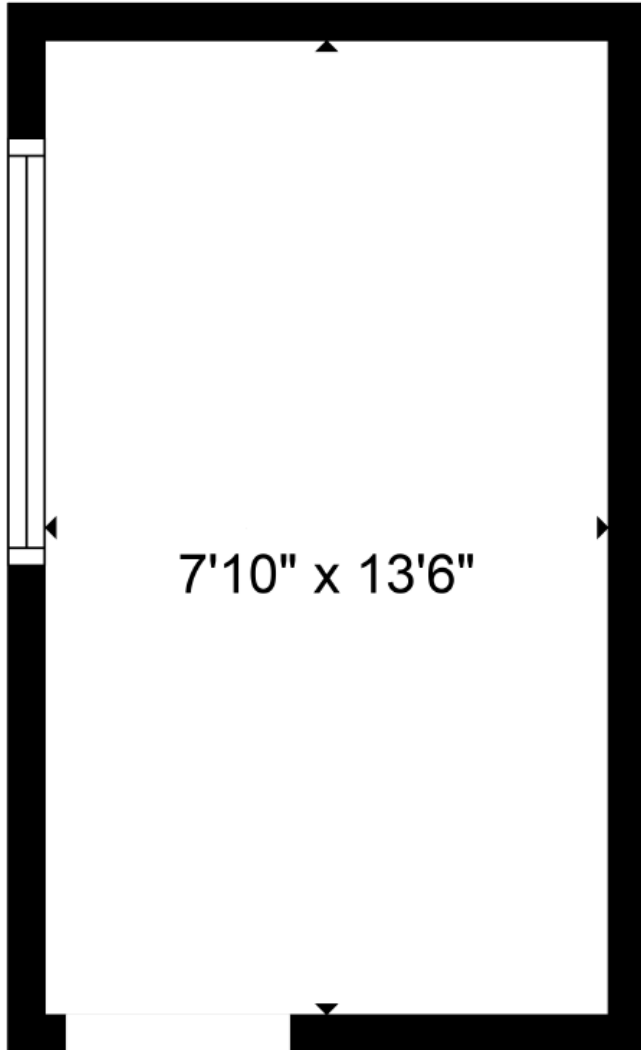


SUITE 2E | 97 SF

108 John St. \ North Aurora, IL



SPACE NOTES

- Asking Rate: \$50.00 PSF MG
- Tenant Pays Utilities, Telecom, and Janitorial



ANGELA WING
630.481.6792
AWing@VersaRES.com

RYAN MOEN, SIOR
630.480.6346
RMoen@VersaRES.com

JOHN MILLNER, CCIM
630.480.6342
JMillner@VersaRES.com

1 MID AMERICA PLAZA, 3RD FLOOR
OAKBROOK TERRACE, IL 60181
630.480.6413

EXCLUSIVELY LISTED BY
VERSA
REAL ESTATE SERVICES