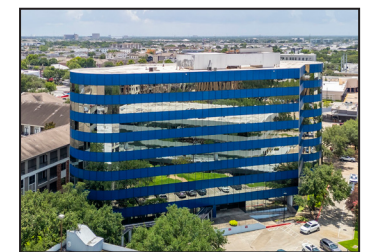
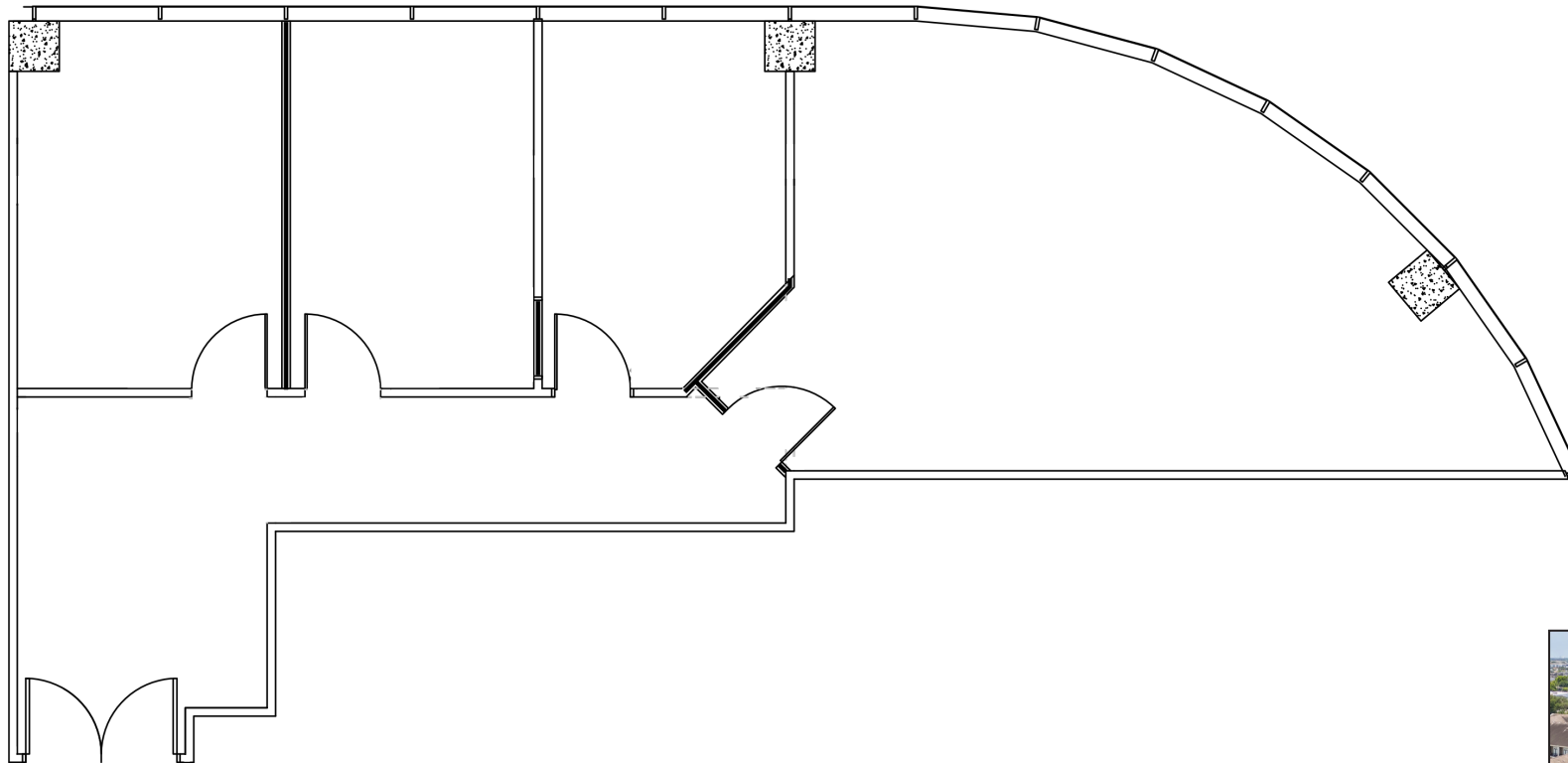


FOR LEASE | OFFICE | 5858 WESTHEIMER RD



F6 SUITE 690
1,422 Square Feet

BILL MCGRATH, CCIM
281.598.9860
bmcgrath@landparkco.com

2603 Augusta Drive, Suite 880 | Houston, TX 77057
713-783.7228 | LandParkCo.com

The information contained herein is believed to be correct. However, no warranty or representation is made. All prices are subject to change without notice and property is subject to prior lease, sale or withdrawal from the market without notice.