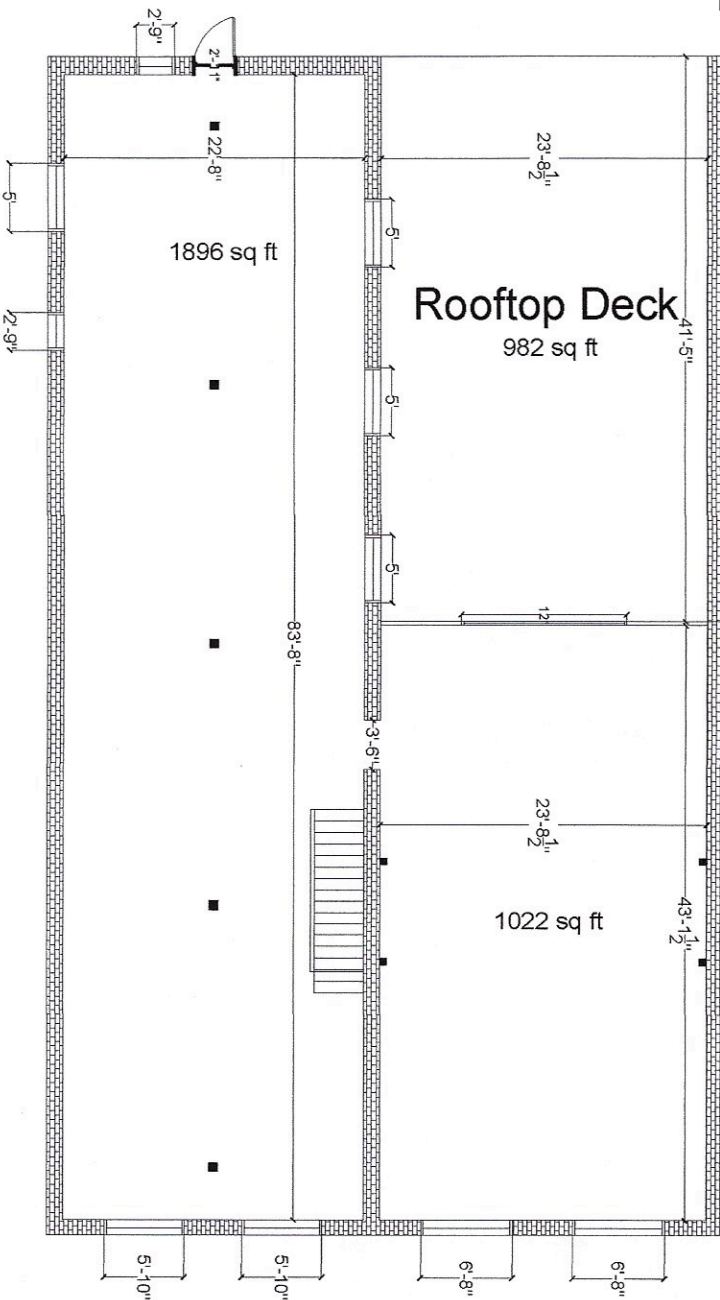


NOTES

The back door is a fire escape all windows are 66" tall on this floor.
There is a 14" step to the opening for the rooftop deck



As Built second Floor

1/4" = 1' DO NOT SCALE DRAWING



LISCENCE #
ROOFING CCC1332860
BUILDING GBC1262444
GENERAL GGC1532573
ELECTRICAL EC13012641

JBKENT CONSTRUCTION
1300 N EAST AVE SARASOTA FL,34237
(941)955-1466 jay@jbkentconstruction.com

PROPOSED PROJECT FOR
416/420 12th St W

DATE

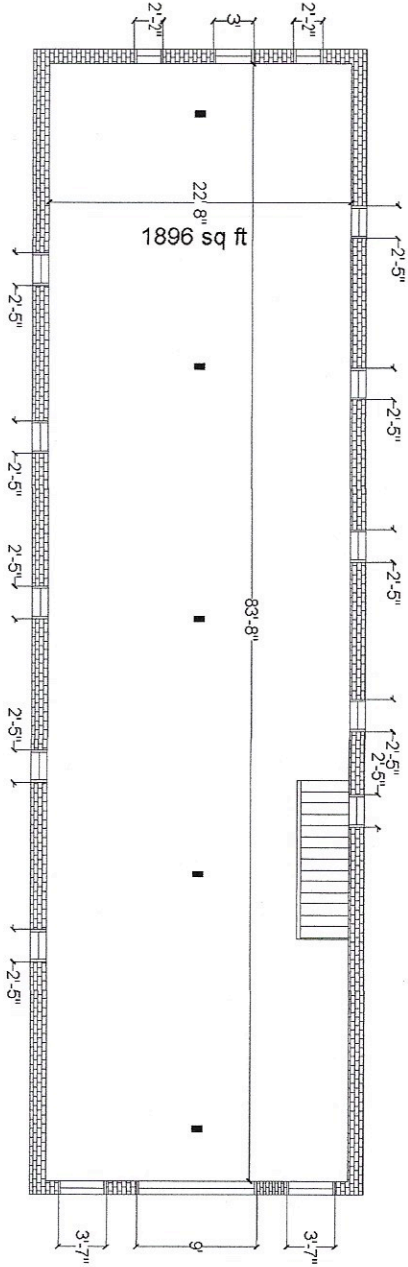
2/22/2024

SHEET NO.

2.0

NOTES

All window heights are 66" tall



As Built Third Floor

1/4" = 1' DO NOT SCALE DRAWING



LISCENCE #
ROOFING CCC 332960
BUILDING CBC 262444
GENERAL CGD532573
ELECTRICAL EC13012641

JBKENT CONSTRUCTION

1300 N EAST AVE SARASOTA FL,34237
(941)955-1466 jay@jbkentconstruction.com

PROPOSED PROJECT FOR

416/420 12th St W

DATE

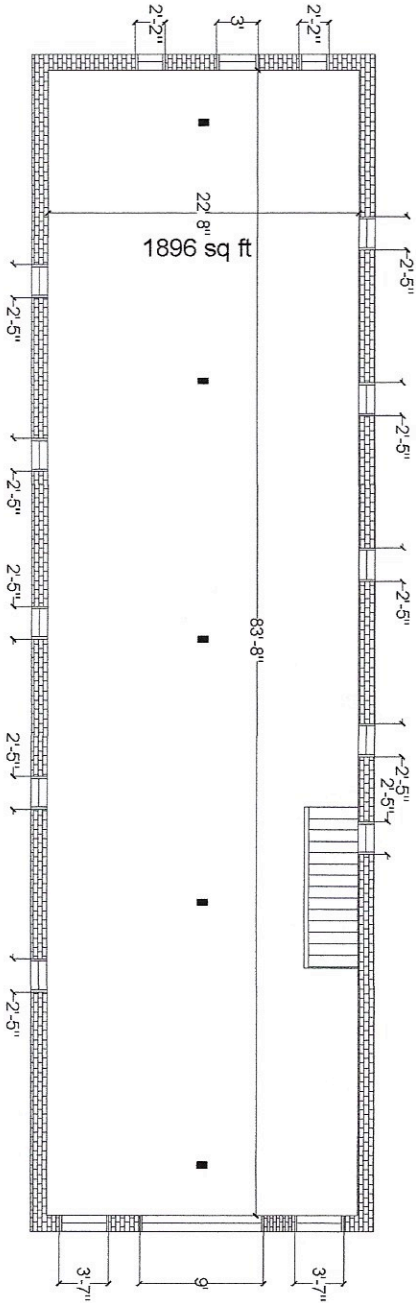
2/22/2024

SHEET NO.

3.0

NOTES

All window heights are 66" tall



As Built Third Floor

1/4" = 1' DO NOT SCALE DRAWING



LISCENCE #
ROOFING C/C1332860
BUILDING C/C1262444
GENERAL C/C1632573
ELECTRICAL EC13012641

JBKENT CONSTRUCTION

1300 N EAST AVE SARASOTA FL, 34237
(941)955-1466 jay@jbkentconstruction.com

PROPOSED PROJECT FOR
416/420 12th St W

DATE

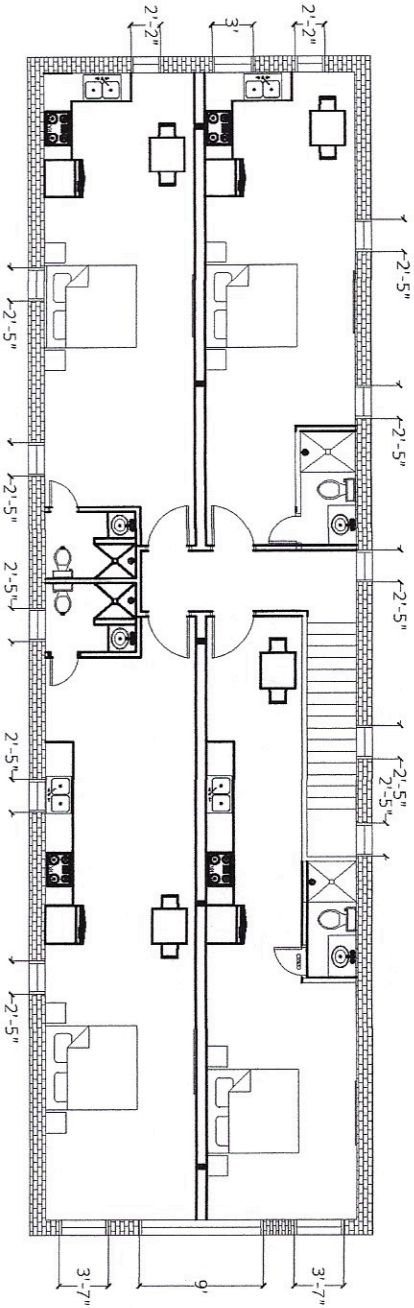
2/22/2024

SHEET NO.

3.0

NOTES

each
apartment
is
approximately
370 sqft



Proposed Third Floor

1/4" = 1' DO NOT SCALE DRAWING



LISCENCE #
ROOFING CC1332860
BUILDING GC1262444
GENERAL CC1532573
ELECTRICAL EC13012641

JBKENT CONSTRUCTION
1300 N EAST AVE SARASOTA FL, 34237
(941)955-1466 jay@jbkentconstruction.com

PROPOSED PROJECT FOR
416/420 12th St W

DATE

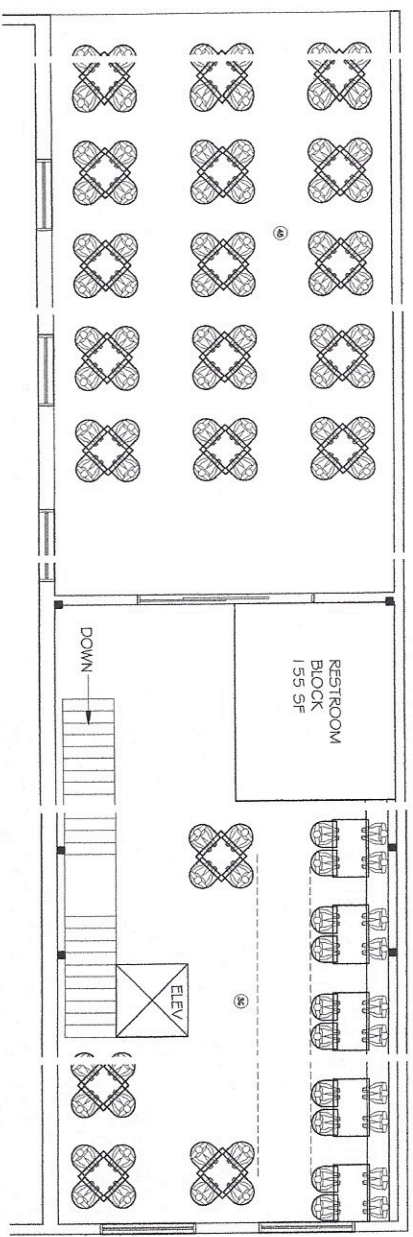
2/22/2024

SHEET NO.

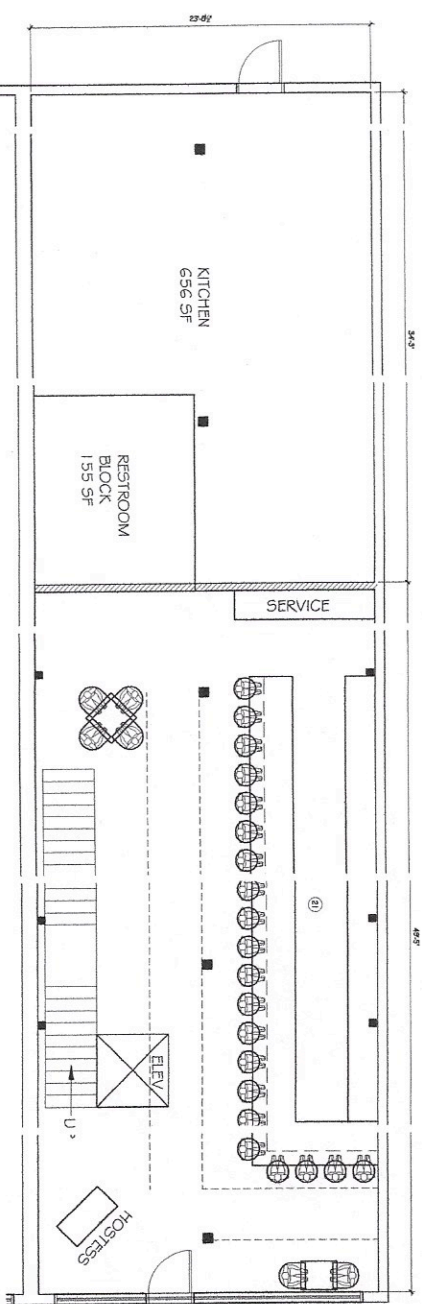
4.0

2-STORY
BUILDING ONLY

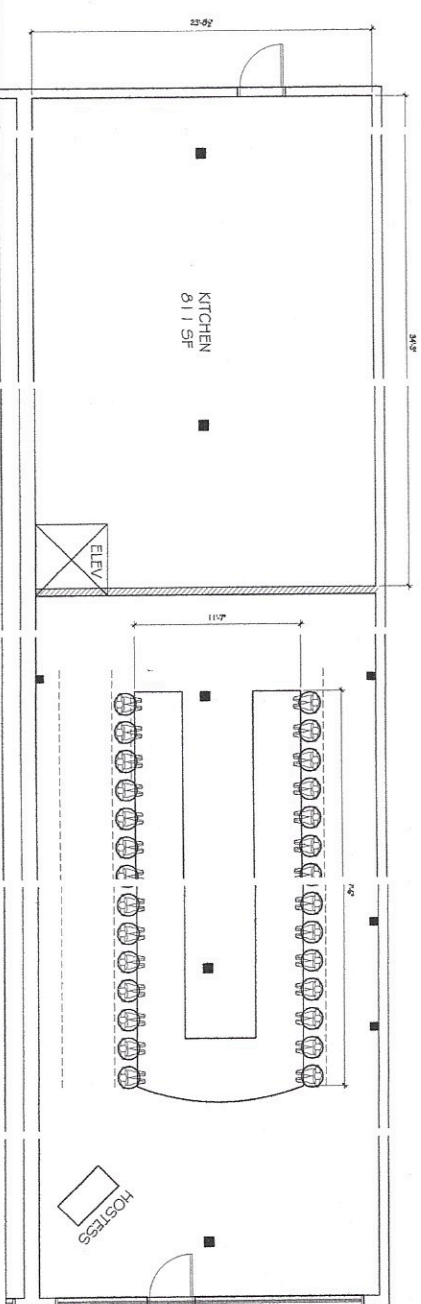
SECOND FLOOR



GROUND FLOOR W/
1/2 SH, PED BAR



GROUND FLOOR W/
1/2 SH, APED BAR



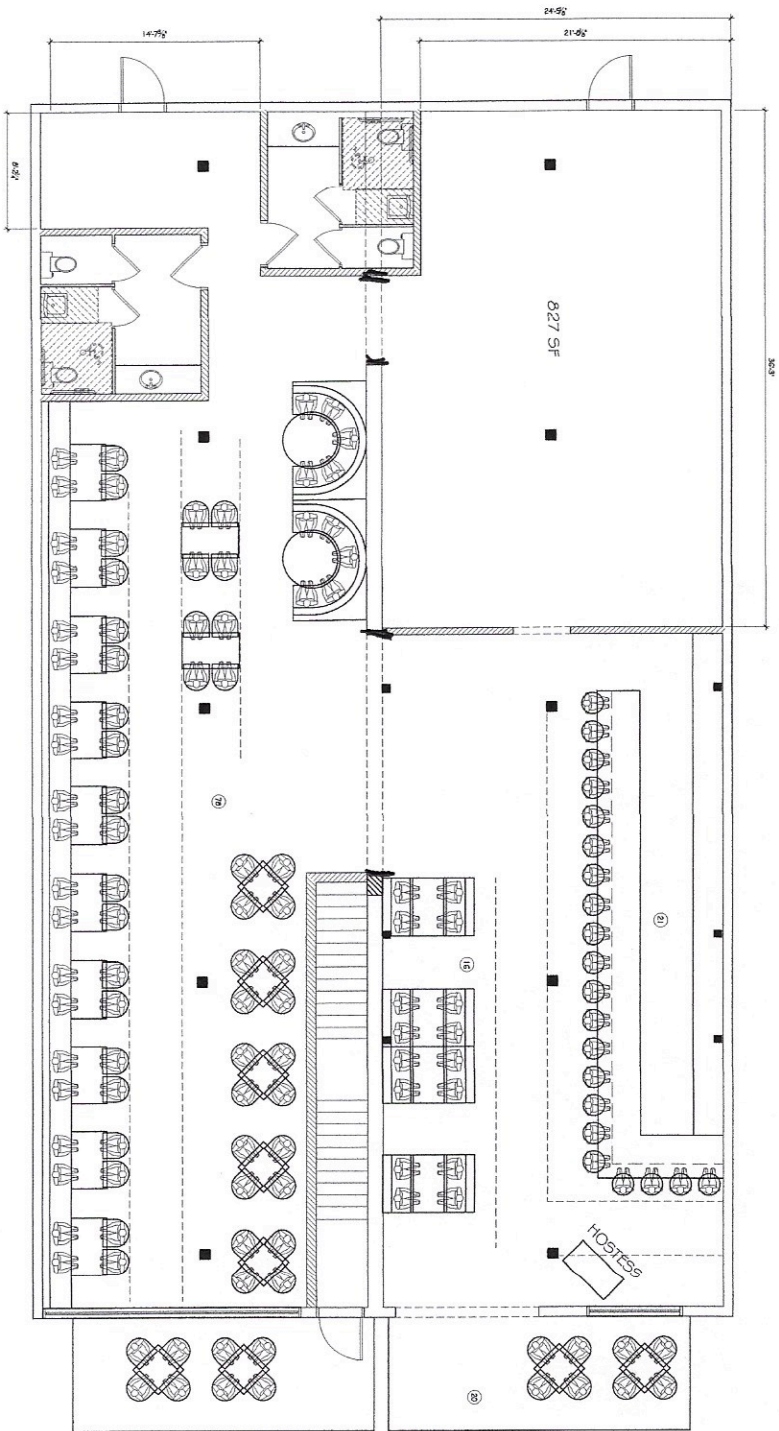
PROPOSED RESTAURANT

416420 12TH ST W, BRADENTON, FL

Original Issue Date
September 29, 2025
Revisions:
No. Description Date:

SK I.O
BLDG 1 ONLY

ALT LAYOUT 5



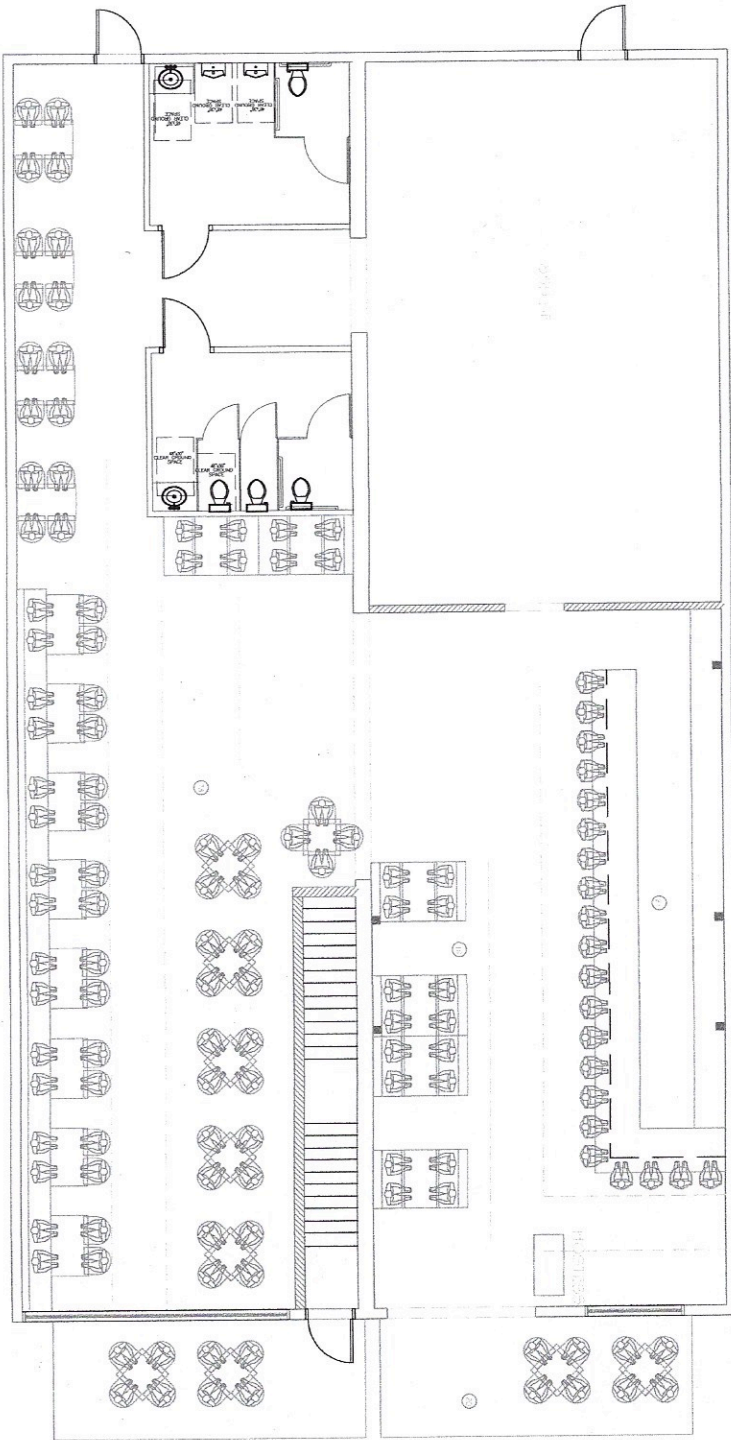
Preferred Choice !!

SKI.O
ALT LAYOUT 5

Original Issue Date
February 11, 2016
Revised:
No. Description: Date:

PROPOSED RESTAURANT

416/420 12TH ST W, BRADENTON, FL



ⓑ

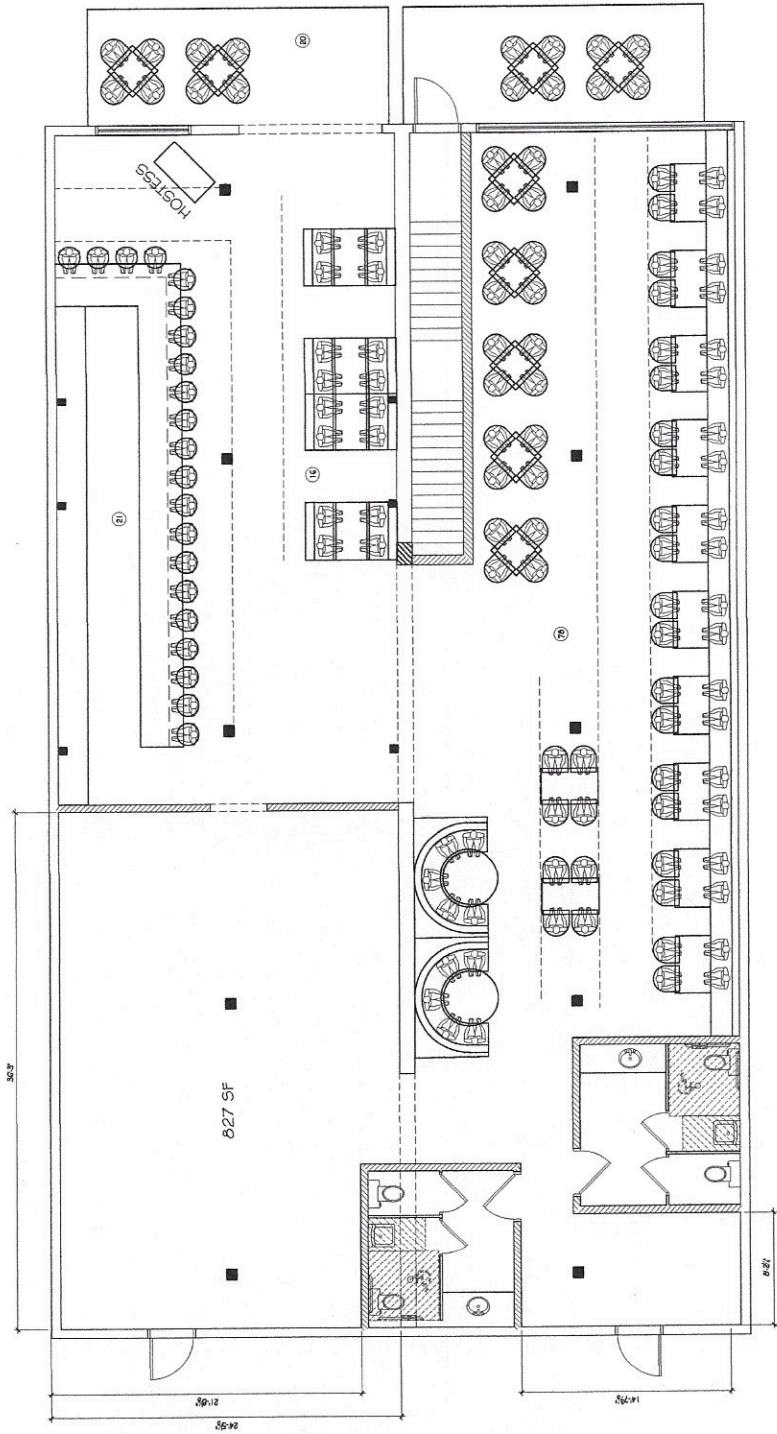
LICENSE #
 ROOFING C0C1332860
 BUILDING C0C1282444
 GENERAL C0C1532573
 ELECTRICAL EC13012944

JBKENT CONSTRUCTION
 1300 N EAST AVE SARASOTA FL, 34237
 (941)955-1466 jay@jbkentconstruction.com

PROPOSED PROJECT FOR
 416/420 12th st w
 Bradenton Fl, 34205

DATE
 3/2/2026

SHEET NO.
 A1



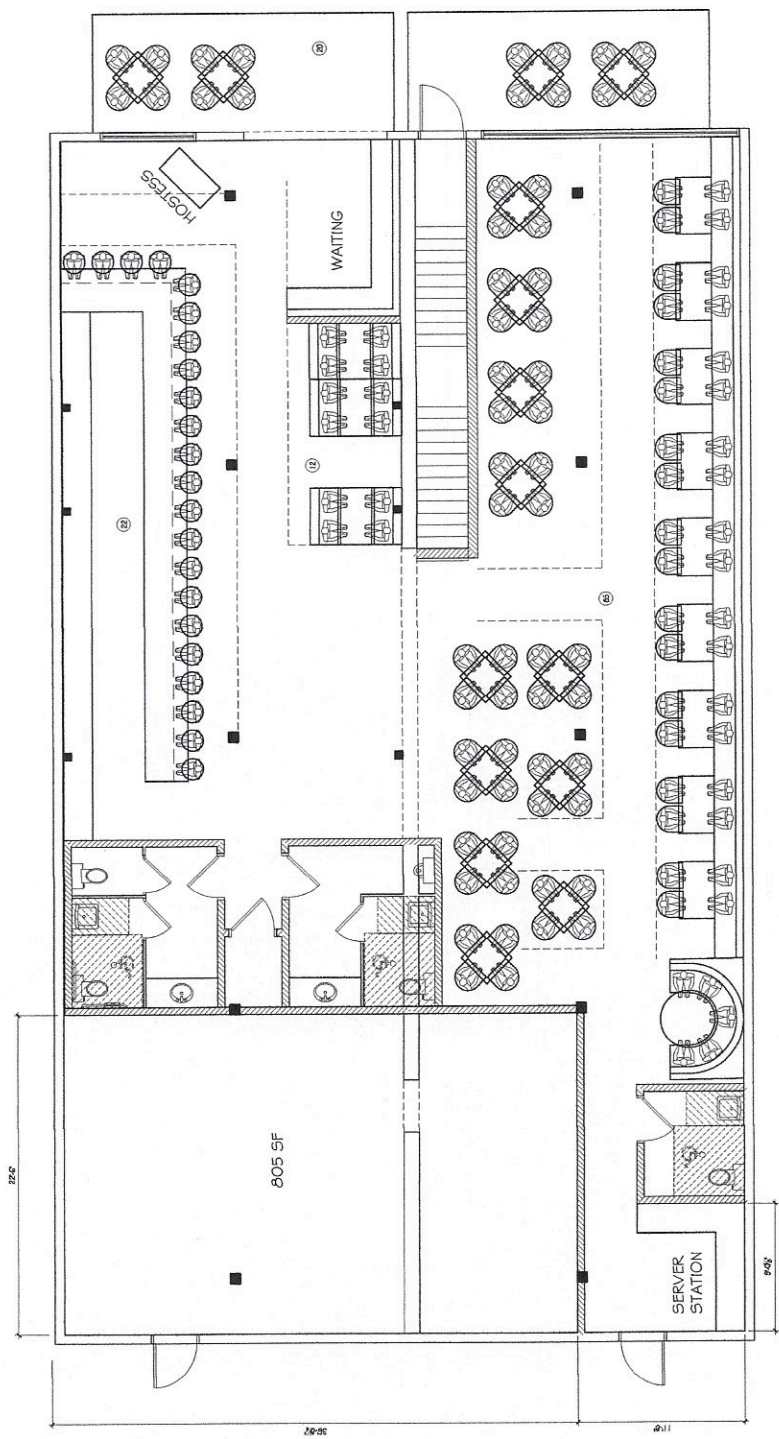
ALT LAYOUT 5

PROPOSED RESTAURANT

416420 12TH ST W, BRADENTON, FL

Original Issue Date: February 11, 2006
Revisions:
No. Description: Date:

SKI.0
ALT LAYOUT 6



ALT LAYOUT 6