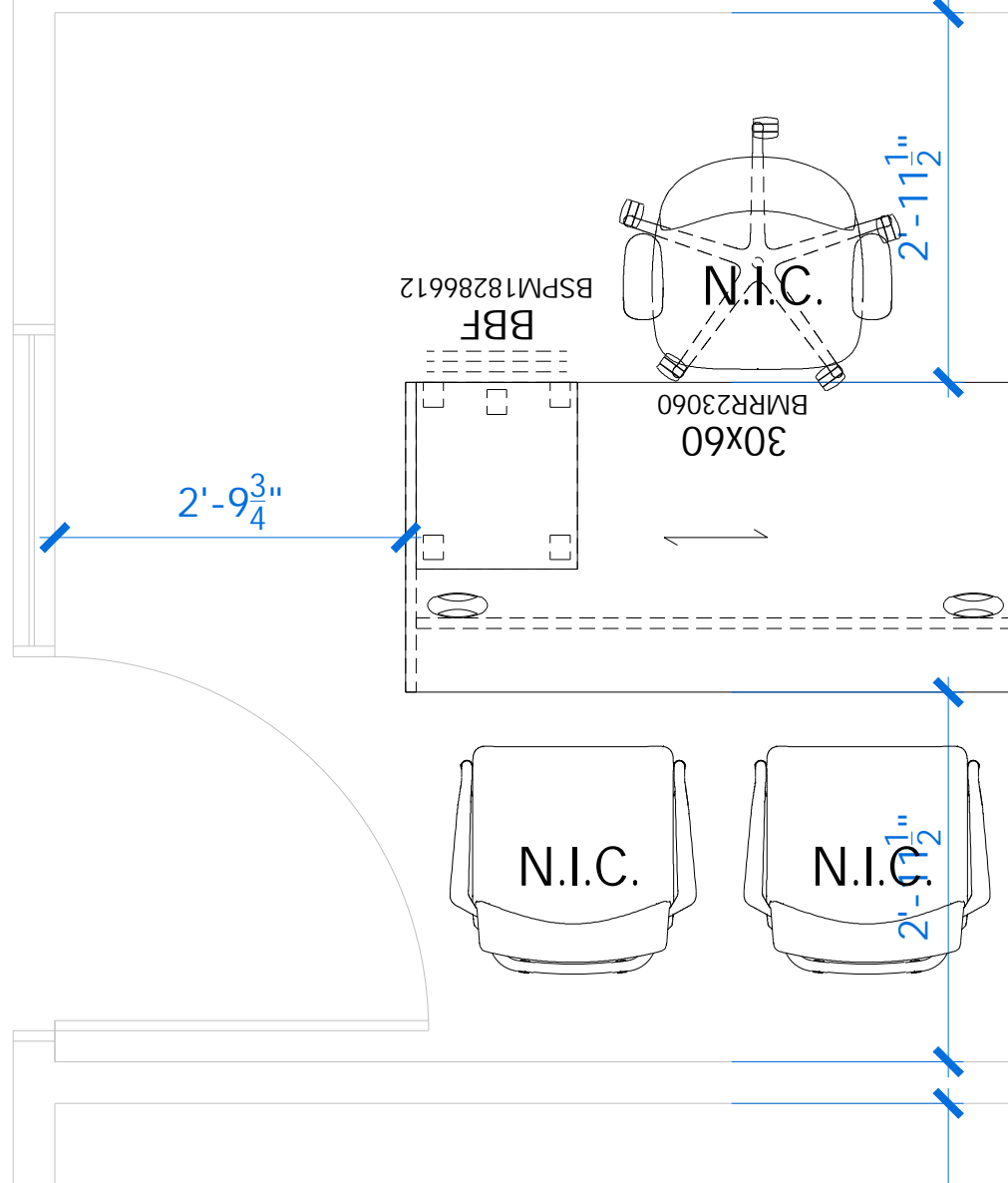
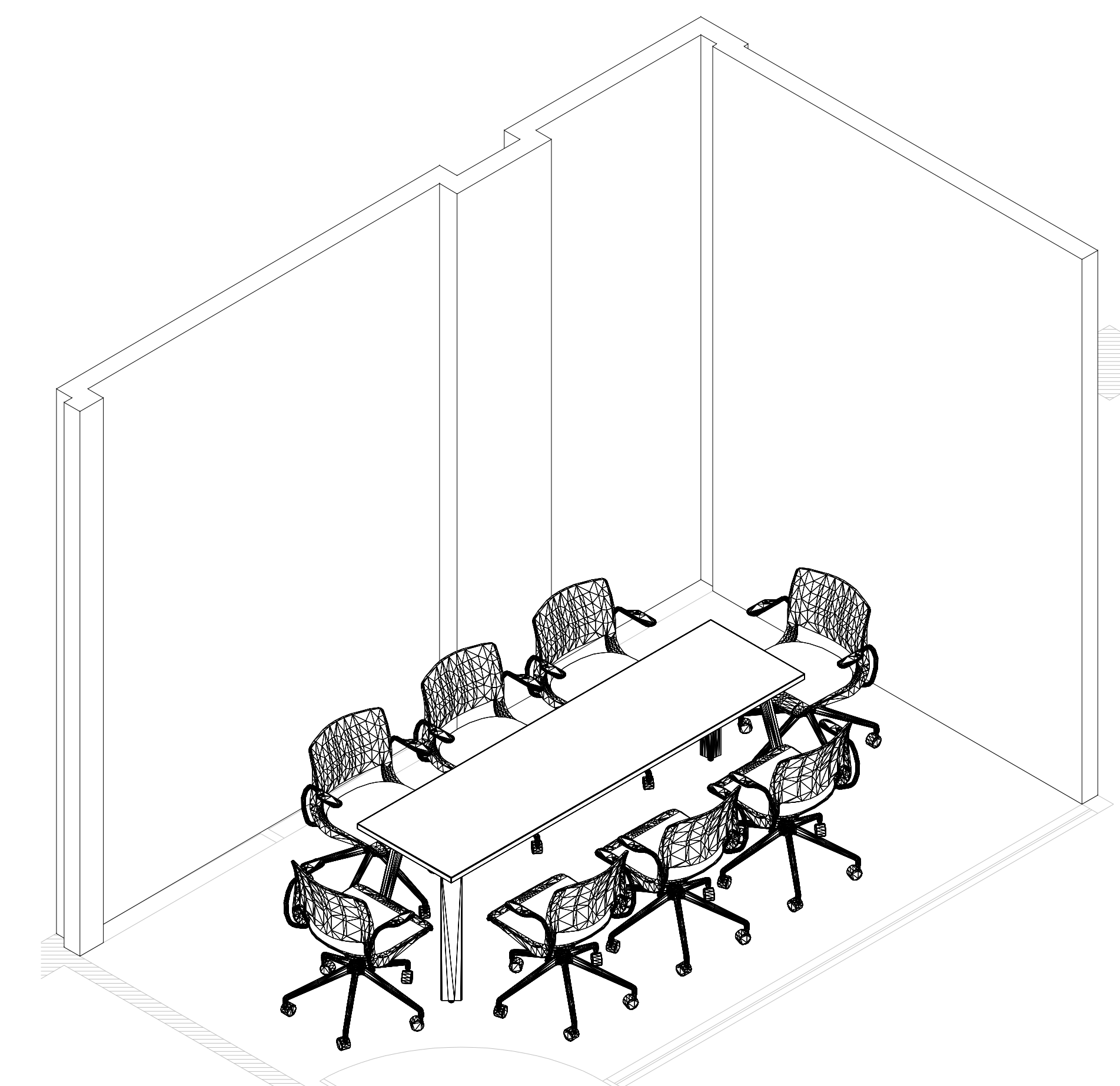
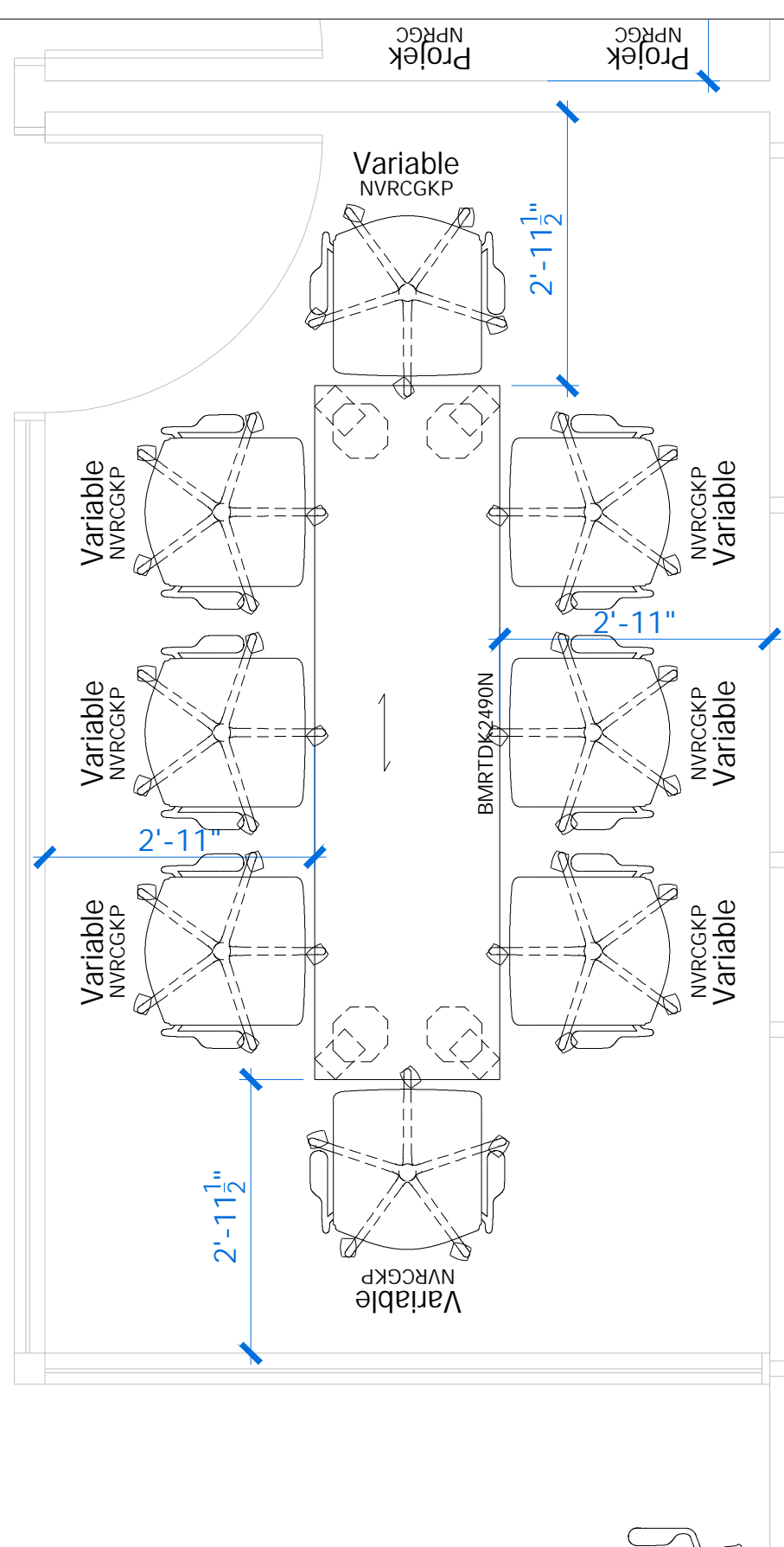


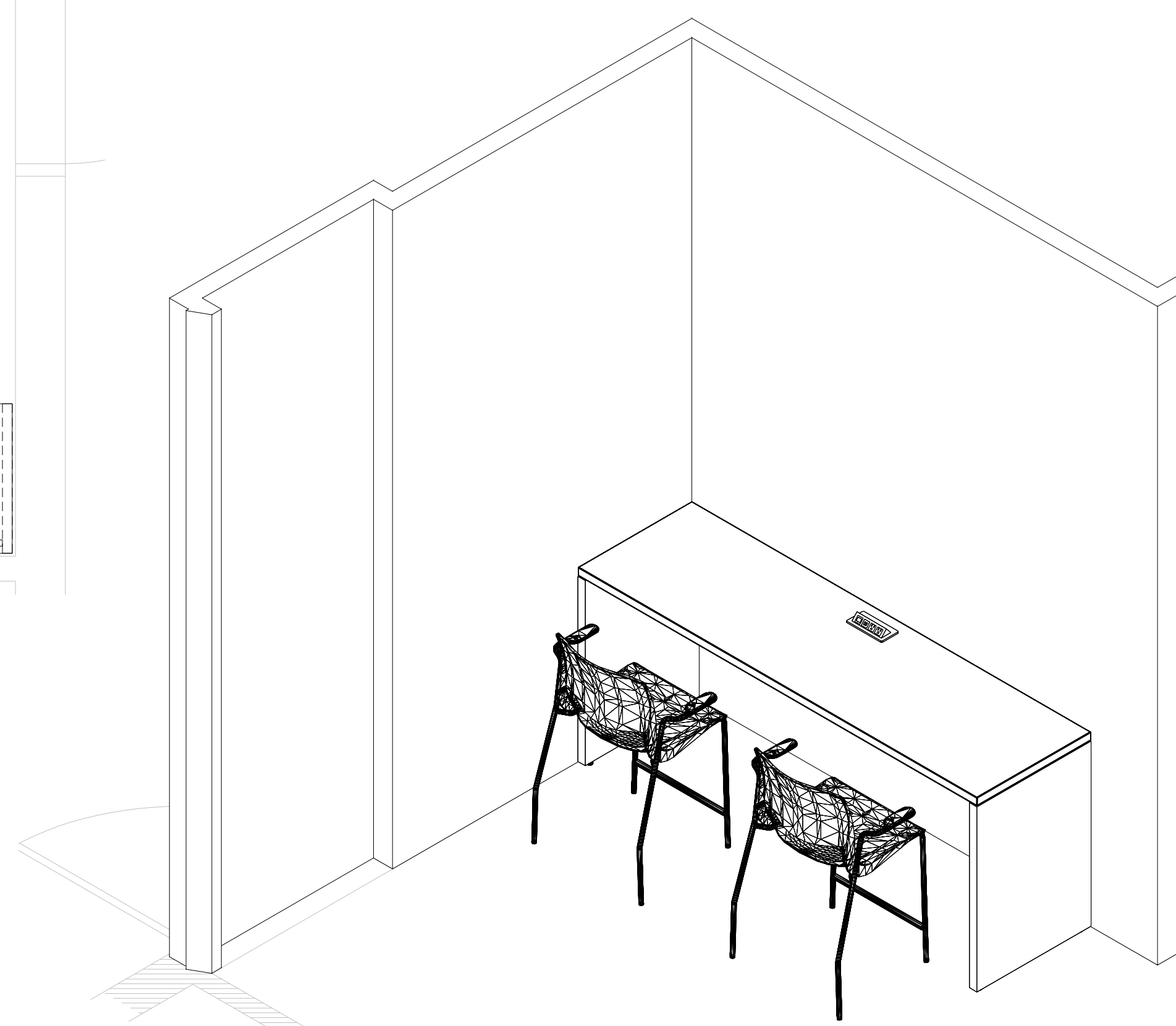
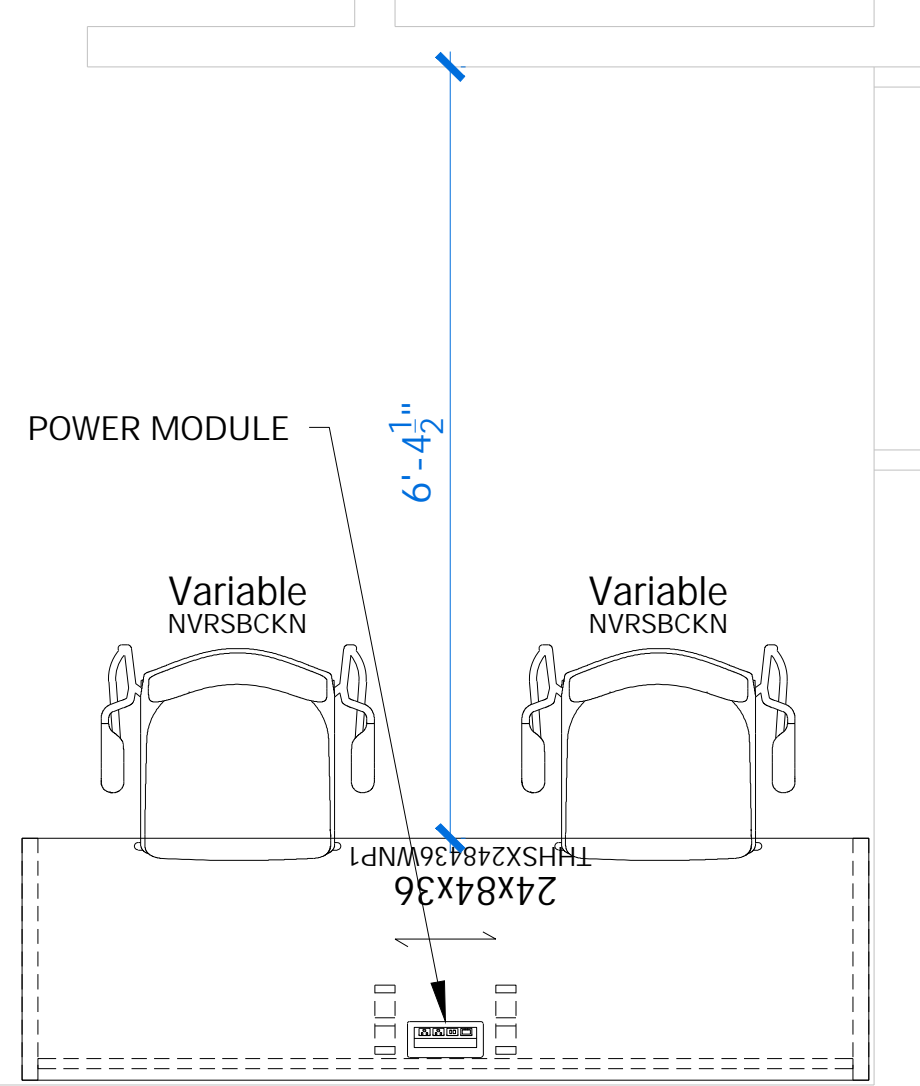
TYPICAL SMALL OFFICE (30X42 Desk)



TYPICAL LARGE OFFICE (30x60 Desk)



CONFERENCE ROOM (24x90 Table)



TYPICAL COMPUTER DESK (24x84x36H Desk w/ Power)

ATTENTION:
This drawing remains the property of Johnsons Business Interiors. Neither reproduction nor alteration should be made without the prior written authorization of Johnsons. All dimensioning is for furniture clearance and furniture requirements only and are to be solely referred to by installation representatives of Johnsons Business Interiors.

- GENERAL NOTES:**
- CLIENT IS RESPONSIBLE FOR:
 - Verifying and confirming suitability of all power pole locations as shown on the drawing.
 - Ensuring electrical wiring/circuits and data cabling are pulled in preparation for furniture installation.
 - All furniture must be installed as per the attached installation drawings, unless changes are approved by an Johnsons Business Interiors representative.
 - Actual Building Dimensions have NOT been verified by Johnsons Business Interiors. All Dimensions are based on the AutoCAD drawing supplied by the Client.

KEY PLAN

6		
5		
4		
3		
2		
1	SMALL OFFICE OPT 1, CLOSING ROOM TABLE	2020/08/06
Issue#	Description	Date (y/m/d)

jbi G.H. Johnsons Furniture Inc. O/A
johnsons BUSINESS INTERIORS
2770 Sheffield Rd. Unit A, Ottawa, Ontario, K1B 3V8
T: 613-736-7000 | F: 613-736-7400 | www.smartoffice.ca

NEW SYSTEMS FURNITURE
AK-20-126
PROPOSED FURNITURE
SUTTON REALTOR OFFICE
474 HAZELDEAN RD.
KANATA, ON

Scale	N.T.S.	Date	2020/07/30
Rep Ref No.	---	Drawn	S. SWITZER
Client Ref No.	---	Sheet	
Dwg Set Revision	R1		F1