

3725
NORTHAMPTON
BUILDING

SUITE 120- 696 SF

NORTHAMPTON

NORTHAMPTON BUILDING | 3725 NATIONAL DRIVE, RALEIGH, NC

- Call for pricing
- Flexible lease terms
- Upfit negotiable
- Ample free parking
- Prime location just inside the Beltline, 10 minutes from downtown Raleigh
- Minutes from RTP and RDU International Airport
- Direct access to the Raleigh Greenway & free bike share via Movatic app
- Tree-lined street with connecting sidewalks
- On-site professional property management and maintenance
- Walkable Retail – featuring a curated selection of vibrant retailers to include:



FLOWCORPS Izakaya & Monya Ramen

 REGIONS BANK

SUSHI
MON
Japanese Restaurant

LADYFINGERS
MARKET & EATERY

 quarter note coffee

NAPA
Bistro & Wine Bar

 Village Juice
& Kitchen

THE
**IRON
OAKS**

Contact us today for more details!

Wendy Nabors

wnabors@grubbventures.com
O: 919.786.9905 C: 919.395.0660

Morgan Bowie

mbowie@grubbventures.com
O: 919.786.9905 C: 540.241.0153

919-786-9905

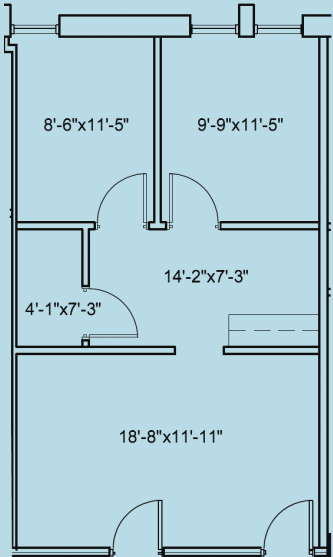
www.glenwoodplace.com

@glenwoodplace

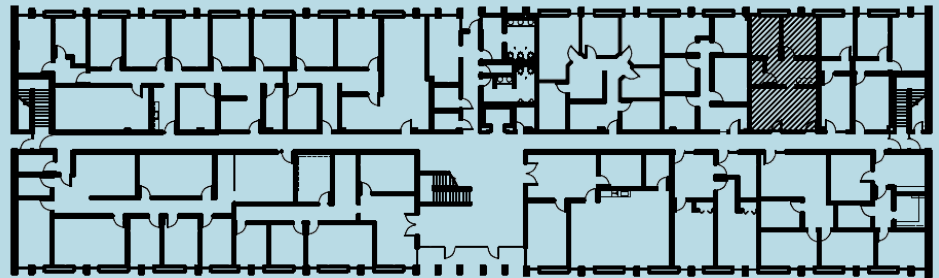


SUITE 120- 696 SF

FLOOR PLAN



KEY PLAN



Contact us today for more details!

Wendy Nabors

wnabors@grubbventures.com
 O: 919.786.9905 C: 919.395.0660

Morgan Bowie

mbowie@grubbventures.com
 O: 919.786.9905 C: 540.241.0153

919-786-9905

www.glenwoodplace.com

@glenwoodplace