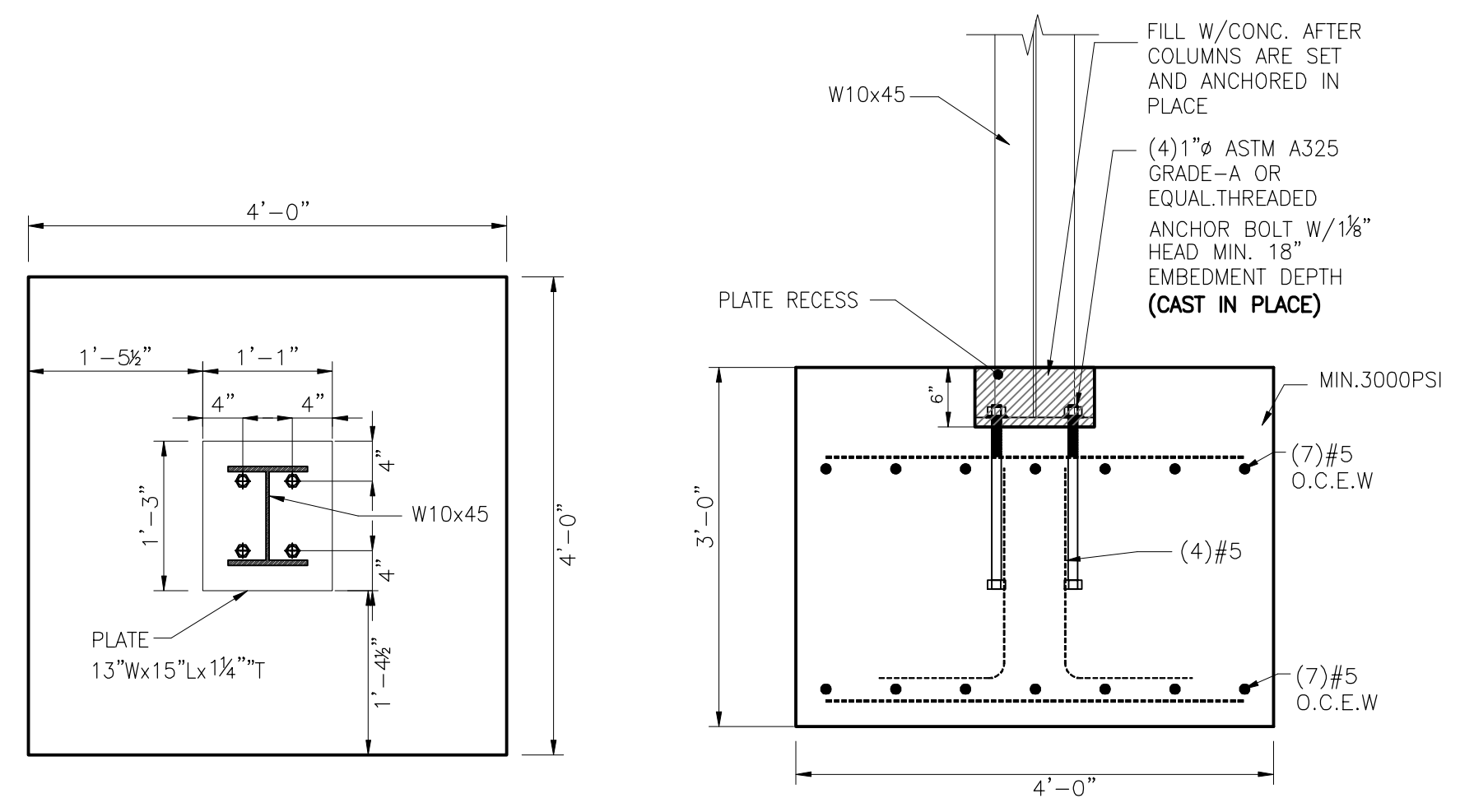


FOUNDATION PLAN
Scale: 1/8" = 1'-0"

18091 W LITTLE YORK RD, HOUSTON, TX
(APPROXIMATELY 1,875 sf)

BASE PLATE & ANCHOR BOLT SCHEDULE					FILLET WELD
COLUMN SIZE	BASE PLATE SIZE	BASE PLATE THICKNESS "t"	#of BOLTS "n"	BOLT ϕ & TYPE	SIZE, IN.
W 10x45	13"W x 15"L	1 1/4"	4	1" ϕ ASTM A307 GRADE A	3/8"



1 FOOTING 4'x4'x3'
Scale: 3/4" = 1'-0"

GENERAL NOTES - CONCRETE

- VERIFY ALL DIMENSIONS AND ELEVATIONS OF RECESS, LEDGES AND STEPS WITH ARCHITECT BEFORE COMMENCEMENT OF FORM WORK.
- NO CONCRETE IS TO BE PLACED WITHOUT APPROVAL FROM ENGINEER OR ARCHITECT.
- CONCRETE SHALL NOT BE PLACED IN FREEZING OR RAINY WEATHER.
- ALL CONCRETE WORK SHALL BE IN ACCORDANCE WITH ACI 318 WITH LATEST REVISIONS.
- CRUSHED STONE AND GRAVEL CONCRETE SHALL HAVE MINIMUM 28-DAY COMPRESSIVE STRENGTH OF 3000 PSI.
- ALL CONCRETE EXPOSED TO WEATHER SHALL BE AIR ENTRAINED.
- REINFORCING STEEL SHALL BE ASTM A615 GRADE 60 WITH A305 DEFORMATIONS, DETAILED, FABRICATED AND INSTALLED PER ACI "MANUAL OF STANDARD PRACTICE FOR DETAILING REINFORCING CONCRETE", ACI-315 LATEST REVISION.
- WELDED SMOOTH WIRE FABRIC SHALL CONFORM TO ASTM-A185.
- REINFORCING STEEL MINIMUM COVERAGE UNLESS NOTED ON REBAR CHAIRS SHALL BE:

FOOTINGS	3" BOTTOM, 4" SIDES & 2" TOP
GRADE BEAMS	3" FROM EARTH
SLAB	3" FROM VAPOR BARRIER
- CHAMFER ALL EXPOSED EDGES 3/4" AT 45 DEGREES.
- HOLES FOR DRILLED FOOTINGS SHALL BE PLUMB AND FREE OF ALL LOOSE MATERIALS AND WATER. CONCRETE AND REINFORCING SHALL BE PLACED IMMEDIATELY AFTER EXCAVATION.
- PROVIDE CORNER BARS IN THE OUTSIDE FACE OF EXTERIOR GRADE BEAMS TO MATCH THE HORIZONTAL STEEL. AT ALL RE-ENTRANT CORNERS PLACE 2-#4 x 4'-0" IN THE SLAB.
- UNDERGROUND UTILITIES OR OBSTRUCTIONS ENCOUNTERED SHALL BE REMOVED, RELOCATED OR LEFT IN PLACE AS DIRECTED BY ENGINEER.
- BARS DETAILED AS CONTINUOUS SHALL BE LAPPED AS INDICATED BELOW.

STEEL REBAR #	TENSION LAP SPLICE LENGTH (IN)	HOOKED REBAR DEVELOPMENT LENGTH (IN)
3	17	6
4	21	8
5	26	10
6	31	11
7	43	13
8	49	15
9	55	17
10	61	19
- ALL CONSTRUCTION SHALL CONFORM TO CURRENT CITY OF JURISDICTION BUILDING CODE, AND IBC/IRC 2012-2018 WITH TEXAS REVISIONS.
- THE GENERAL CONTRACTOR SHALL EXAMINE THE MECHANICAL DRAWINGS FOR REQUIRED MECHANICAL WORK TO BE PLACED IN CONCRETE. THE CONTRACTOR SHALL NOTIFY AND RECEIVE PERMISSION FROM THE STRUCTURAL ENGINEER FOR THE PLACING OF SLEEVES, PIPES OR OTHER MATERIALS.
- ALL PIPES GOING THROUGH EXTERIOR GRADE BEAMS SHALL BE SLEEVED. ALL PIPES SHALL BE LOCATED AT MID DEPTH OF GRADE BEAM.
- SIZE OF SLEEVES SHALL NOT EXCEED 1/2 OF OVERALL THICKNESS OF GRADE BEAM. SPACING OF SLEEVES SHALL NOT BE CLOSER THAN 3 DIAMETERS ON CENTER.
- THE ENGINEER SHALL NOT BE LIABLE FOR ANY FOUNDATION REVISION OR CHANGES FROM THE ARCHITECTS, CONTRACTORS, OR OWNERS WITHOUT WRITTEN APPROVAL FROM THE ENGINEER.
- CURE ALL CONCRETE IMMEDIATELY AFTER FINISHING WITH APPROVED CHEMICAL CURING COMPOUND.

NOTE:
FOOTING DESIGNED BASED ON PRESUMPTIVE LOAD OF 1,500 PSF AS PER IRC 2015 (TABLE R401.4.1)

CLASS OF MATERIAL	LOAD-BEARING PRESSURE (PSF)
Clay, sandy, silty clay, clayey silt, silt and sandy silt/clay (CL, ML, MH and CH)	1,500

THIS DOCUMENT IS RELEASED FOR THE PURPOSE OF REVIEW ONLY UNDER THE AUTHORITY OF BARRY D. ADKINS, P.E. 66391. IT IS NOT TO BE USED FOR CONSTRUCTION PURPOSES.

1/17/22

11000 RICHMOND AVE SUITE 300
HOUSTON, TEXAS 77042
(713)528-1552 PH.
(713)529-8997 FAX
EMAIL: info@dararamengineers.com

DaRam Engineers, Inc.

Copyright © Dararam Engineers, Inc. All Rights Reserved
TEXAS FIRM REGISTRATION NUMBER F-9503

PROPOSED PATIO STRUCTURE
AT
18091 W. LITTLE YORK
KATY, TEXAS 77449

ISSUED / REVISED			
NO.	DATE	DESCRIPTION	AN
1	1/17/2022	FOR REVIEW	AN
2			
3			

JOB NO: 21-628
CHECKED BY: JEV
DRAWN BY: AN
DATE: 11/17/2021
SCALE: AS SHOWN

DRAWING TITLE:
FOUNDATION PLAN & DETAILS

DRAWING NO.
S-1