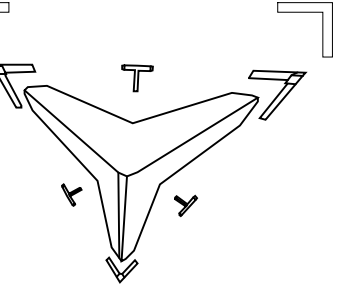


ALL IDEAS, DESIGN ARRANGEMENTS AND PLANS INDICATED OR REPRESENTED BY THIS DRAWING ARE OWNED BY AND THE PROPERTY OF AMORPHICA, AND WHERE CREATED, EVOLVED AND DEVELOPED FOR USE ON AND IN CONNECTION WITH THE SPECIFIED PROJECT. NONE OF SUCH IDEAS, ARRANGEMENTS OR PLANS SHALL BE USED BY OR DISCLOSED TO ANY PURPOSE WHATSOEVER WITHOUT THE WRITTEN PERMISSION OF AMORPHICA.

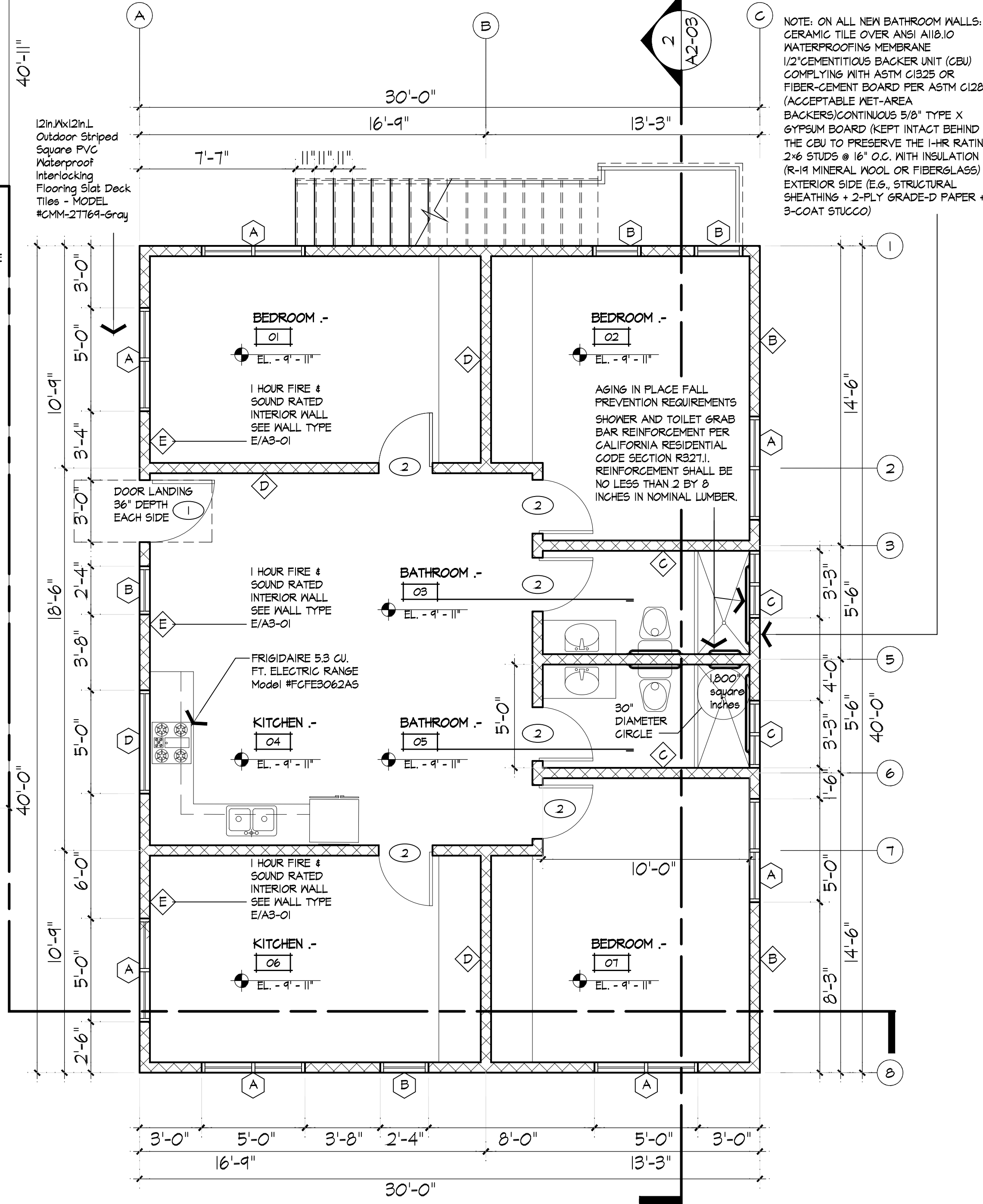


amorphica.co

Amorphica Design  
Research Office  
858 284 4512  
amorphica@gmail.com

# PROPOSED FIRST FLOOR PLAN.- NEW BUILDING

Scale: 1/4" = 1'-0"



NOTE: ON ALL NEW BATHROOM WALLS: CERAMIC TILE OVER ANSI A118.10 WATERPROOFING MEMBRANE 1/2" CEMENTITIOUS BACKER UNIT (CBU) COMPLYING WITH ASTM C1325 OR FIBER-CEMENT BOARD PER ASTM C1288 (ACCEPTABLE NET-AREA BACKERS) CONTINUOUS 5/8" TYPE X GYPSUM BOARD (KEPT INTACT BEHIND THE CBU TO PRESERVE THE 1-HR RATINGS) 2x6 STUDS @ 16" O.C. WITH INSULATION (R-19 MINERAL WOOL OR FIBERGLASS) EXTERIOR SIDE (E.G. STRUCTURAL SHEATHING + 2-PLY GRADE-D PAPER + 3-COAT STUCCO)

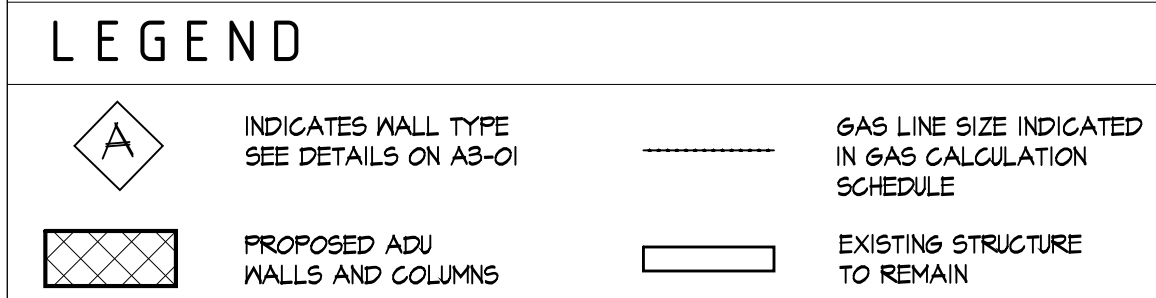
(1) REINFORCEMENT SHALL BE SOLID LUMBER OR OTHER APPROVED CONSTRUCTION MATERIALS.  
(II) REINFORCEMENT FOR GRAB BARS SHALL NOT BE LESS THAN 2 BY 8-INCH NOMINAL LUMBER (1.5 INCH BY 1.25-INCH ACTUAL DIMENSION) OR OTHER APPROVED CONSTRUCTION MATERIAL PROVIDING EQUAL HEIGHT AND LOAD CAPACITY. REINFORCEMENT SHALL BE LOCATED BETWEEN 32 INCHES AND 34-1/4 INCHES ABOVE THE FINISHED FLOOR, OR ONE SIDE WALL AND THE BACK WALL.  
(III) WATER CLOSET REINFORCEMENT SHALL BE INSTALLED ON BOTH SIDE WALLS OF THE FIXTURE, OR ONE SIDE WALL AND THE BACK WALL.  
(IV) SHOWER REINFORCEMENT SHALL BE CONTINUOUS WHERE WALL FRAMING IS PROVIDED.  
(V) BATHTUB AND COMBINATION BATHTUB/SHOWER REINFORCEMENT SHALL BE CONTINUOUS ON EACH AND OF THE BATHTUB AND THE BACK WALL. ADDITIONALLY, BACK WALL REINFORCEMENT FOR A LOWER GRAB BAR SHALL BE PROVIDED WITH THE BOTTOM EDGE LOCATED NO MORE THAN 6 INCH ABOVE THE BATHTUB RIM.

## GENERAL NOTES

- IN SEISMIC ZONES 3 AND 4, ALL WATER HEATERS SHALL BE STRAPPED TO RESIST HORIZONTAL DISPLACEMENT DUE TO EARTHQUAKE MOTION AT THE UPPER 1/3 AND LOWER 1/3 OF THE UNIT, PER SECTION 510.5. THE STRAP AT THE LOWER 1/3 IS TO BE 4" ABOVE THE CONTROLS.
- PROVIDE 12 INCH HIGH NON-ABSORBENT WALL ADJACENT TO SHOWER
- PROVIDE 30" CLEAR WIDTH FOR WATER CLOSET COMPARTMENT AND 24 IN. CLEARANCE IN FRONT OF WATER CLOSET FOR THE BATHROOM.
- AT LEAST TWO 20-AMP SMALL APPLIANCE BRANCH CIRCUITS ARE TO BE PROVIDED TO SERVE ALL RECEPTACLE OUTLETS IN THE KITCHEN, PANTRY, BREAKFAST ROOM, DINING AREA AND ALL SIMILAR AREAS IN THE PROPOSED DWELLINGS.
- ALL INCANDESCENT LIGHTING FIXTURES RECESSED INTO INSULATED CEILING ARE TO BE APPROVED FOR ZERO CLEARANCE INSULATION COVER (TYPE IC) BY UL, OR OTHER APPROVED LABORATORIES.
- ALL INTERIOR AND EXTERIOR STAIRS SHALL BE PROVIDED WITH ARTIFICIAL LIGHT WITH INTERIOR STAIRS ILLUMINATED TO 1 FOOT CANDLE
- ONE WALL, SWITCH-CONTROLLED LIGHTING OUTLET SHALL BE REQUIRED IN DWELLING UNITS AT OUTDOOR ENTRANCES, ALL HABITABLE ROOMS, BATHROOMS, HALLWAYS, STAIRWAYS AND ATTACHED GARAGES
- SHOWER SHALL BE PROVIDED WITH INDIVIDUAL SHOWER CONTROL VALVES OF THE PRESSURE BALANCE OR THE THERMOSTATIC MIXING VALVE. THE TEMPERATURE LIMIT SHALL ADJUSTED TO 120 DEGREES F.
- ALL HOT WATER PIPING SIZED 1/2" OR LARGER IS REQUIRED TO BE INSULATED AS FOLLOWS: 1" PIPE SIZE OR LESS: 1" THICK INSULATION LARGER PIPE SIZES REQUIRED 1 1/2" THICK INSULATION. NOTE: IN ADDITION, THE 1/2" SIZE HOT WATER PIPE TO THE KITCHEN SINK IS REQUIRED TO BE INSULATED, ES 150.0 (P)2
- EXTERIOR PLASTER WITH FLASHING, WATER-RESISTIVE BARRIER, LATH AND WEEP SCREED SHALL BE INSTALLED IN ACCORDANCE WITH SECTION RT03.6
- SHOWER AND TUB/SHOWER WALLS TO BE A SMOOTH, HARD NONABSORBENT SURFACE (E.G. CERAMIC, TILE OR FIBERGLASS) OVER A MOISTURE RESISTANT UNDERLAYMENT (E.G. CEMENT, FIBER, OR GLASS MAT GYPSUM BACKER) TO A HEIGHT 12 INCHES ABOVE THE DRAIN INLET.
- WATER - RESISTANT GYPSUM BACKING BOARD SHALL NOT BE USED OVER A VAPOR RETARDER IN SHOWER OR BATHTUB COMPARTMENTS.
- REPLACEMENT RECEPTACLES INSTALLED IN LOCATIONS THAT CURRENTLY REQUIRED THE FOLLOWING SPECIFICATIONS: ARC FAULT PROTECTED, TAMPERPROOF, AND WEATHER RESISTANT ARE REQUIRED TO BE INSTALLED PER CURRENT CODE. CEC210.12, 406.4 (D) (4), 406.4 (E), 406.4 (F), 406.4 (G) (FOR LOCATIONS)
- ELECTRICAL RECEPTACLE OUTLETS, SWITCHES, AND CONTROLS (INCLUDING CONTROLS FOR HEATING, VENTILATION, AND AIR CONDITIONING) INTENDED TO BE USED BY OCCUPANTS SHALL BE LOCATED NO MORE THAN 48 INCHES MEASURED FROM THE TOP OF THE OUTLET BOX AND NOT LESS THAN 15 INCHES MEASURED FROM THE BOTTOM OF THE OUTLET BOX ABOVE THE FINISH FLOOR.
- DOORBELL BUTTON OF CONTROLS, WHEN INSTALLED, SHALL NOT EXCEED 48 INCHES ABOVE EXTERIOR FLOOR OR LANDING, MEASURED FROM THE TOP OF THE DOORBELL BUTTON ASSEMBLY. WHERE DOORBELL BUTTONS INTEGRATED WITH OTHER FEATURES ARE REQUIRED TO BE INSTALLED ABOVE 48 INCHES MEASURED FROM THE EXTERIOR FLOOR OR LANDING, A STANDARD DOORBELL BUTTON OR CONTROL SHALL ALSO BE PROVIDED AT 5 HEIGHT NOT EXCEEDING 48 INCHES (1219.2MM) ABOVE THE EXTERIOR FLOOR OR LANDING, MEASURED FROM THE TOP OF THE DOORBELL BUTTON OR CONTROL.
- WATER CLOSET TO BE 128 GALLONS PER FLUSH MAXIMUM OR DUAL FLUSH PER CFC 411.2

# PROPOSED FIRST FLOOR PLAN.- EXISTING BUILDING

Scale: 1/4" = 1'-0"



## EXISTING DOOR SCHEDULE

DOOR No.	NUM OF DOORS	DOOR SIZE	MATERIAL DOOR	MATERIAL DOOR FRAME	REMARKS
1E	7	2'-8" X 7'-0"	WOOD	WOOD	

## EXISTING WINDOW SCHEDULE

WINDOW No.	NUM OF WINDOW	WINDOW SIZE	MATERIAL GLASS	MATERIAL FRAME	OPERATION TYPE OF THE WINDOW	REMARKS
A	2	5'-10" X 3'-10"	SINGLE TEMPERED GLASS	ALUMINUM	SINGLE-HUNG	TEMPERED GLASS PER CRC 308.4
B	2	3'-10" X 3'-10"	SINGLE TEMPERED GLASS	ALUMINUM	CASEMENT	TEMPERED GLASS PER CRC 308.4
C	1	6'-7" X 3'-2"	SINGLE TEMPERED GLASS	ALUMINUM	SLIDING	TEMPERED GLASS PER CRC 308.4
D	1	2'-10" X 1'-10"	SINGLE TEMPERED GLASS	ALUMINUM	SLIDING	TEMPERED GLASS PER CRC 308.4

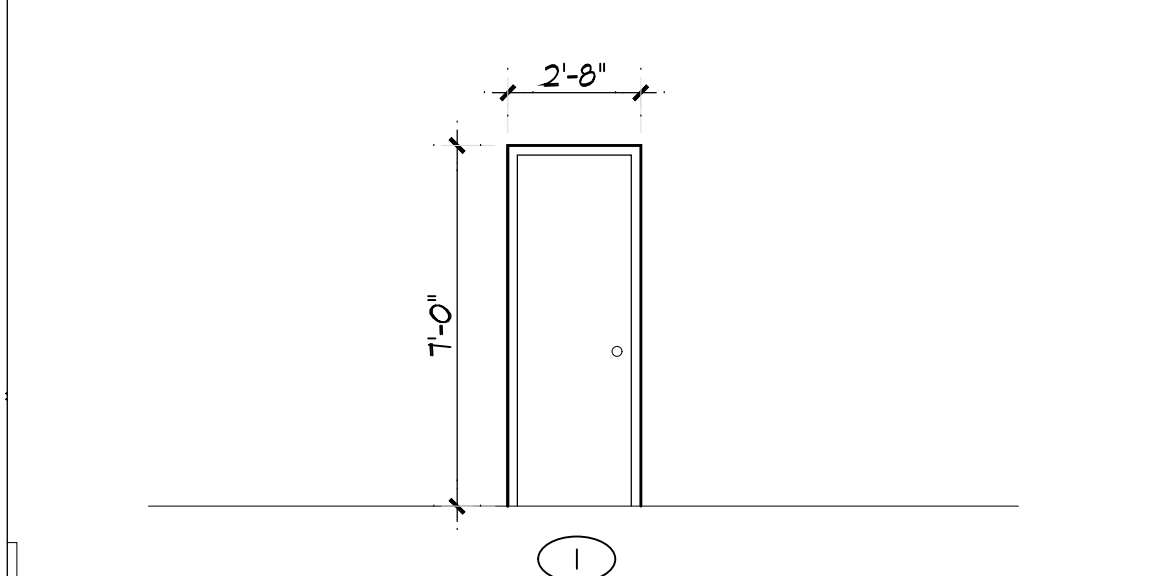
## PROPOSED WINDOW SCHEDULE

WINDOW No.	NUM OF WINDOW	WINDOW SIZE	MATERIAL GLASS	MATERIAL FRAME	OPERATION TYPE OF THE WINDOW	REMARKS
A	2	5'-0" X 4'-0"	SINGLE TEMPERED GLASS	ALUMINUM	SINGLE-HUNG	TEMPERED GLASS PER CRC 308.4
B	2	2'-4" X 5'-0"	SINGLE TEMPERED GLASS	ALUMINUM	CASEMENT	TEMPERED GLASS PER CRC 308.4
C	3	3'-3" X 2'-0"	SINGLE TEMPERED GLASS	ALUMINUM	SLIDING	TEMPERED GLASS PER CRC 308.4
D	1	5'-8" X 2'-4"	SINGLE TEMPERED GLASS	ALUMINUM	SLIDING	TEMPERED GLASS PER CRC 308.4

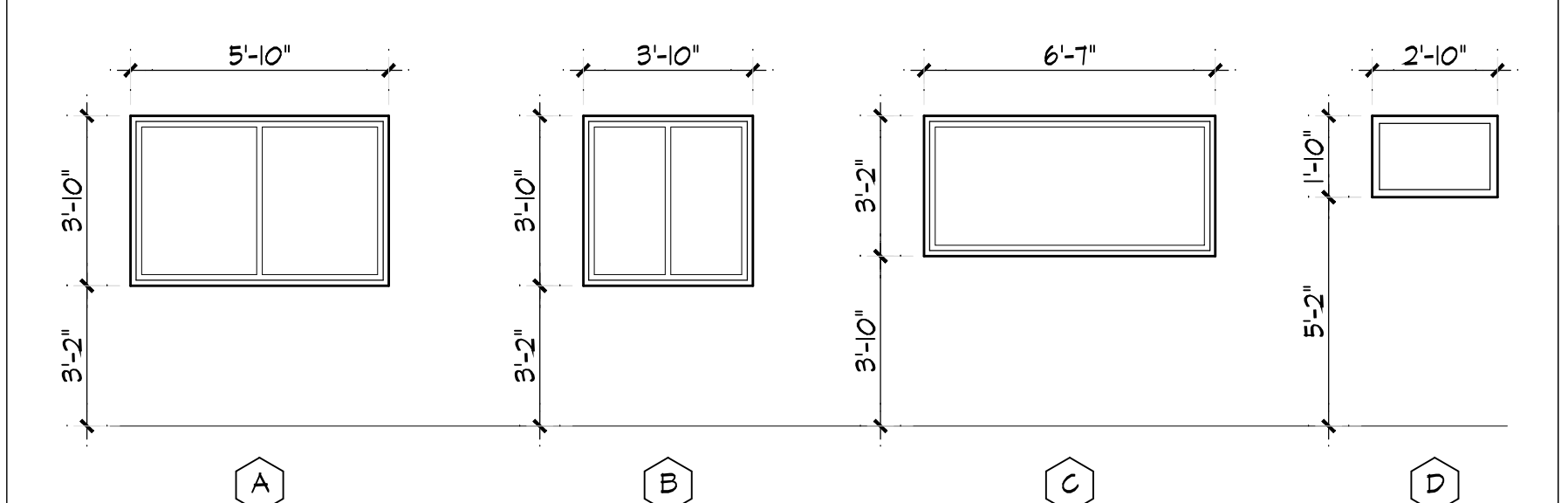
## PROPOSED DOOR SCHEDULE

DOOR No.	NUM OF DOORS	DOOR SIZE	MATERIAL DOOR	MATERIAL DOOR FRAME	REMARKS
1	1	3'-0" X 7'-0"	WOOD	WOOD	
2	6	2'-8" X 7'-0"	WOOD	WOOD	

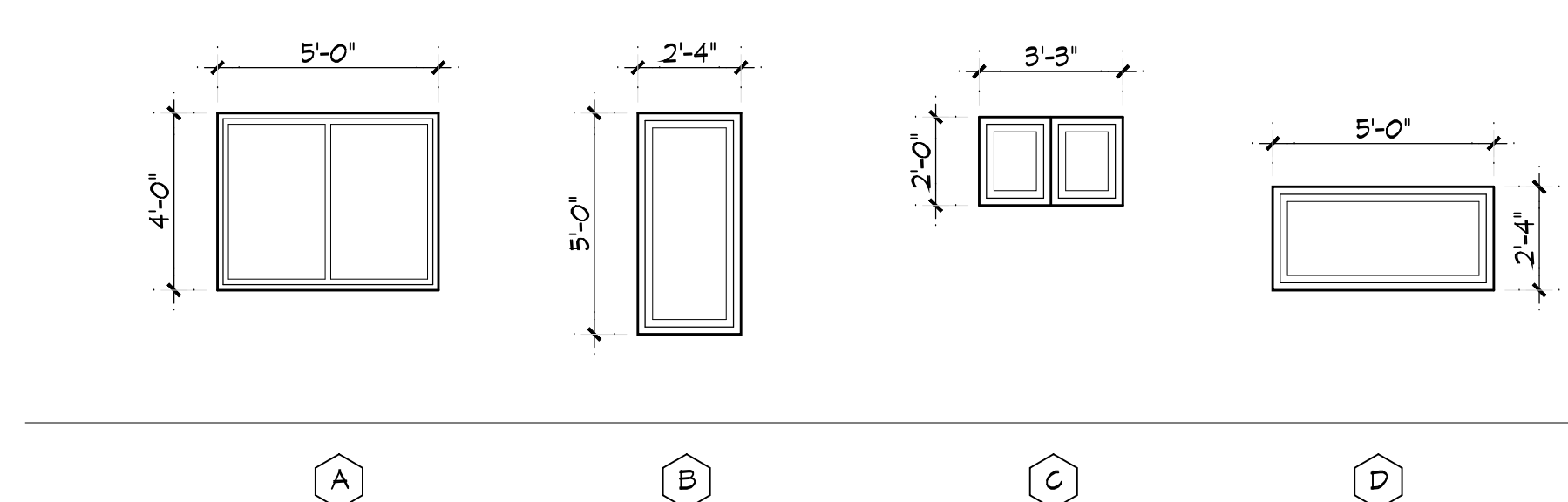
## DOOR DETAILS



## WINDOW DETAILS



## WINDOW DETAILS



ALUMNI HOUSING

5067 ALUMNI PL., SAN DIEGO  
CA 92115, EE-UU

DATE: SEPTEMBER 2025

JOB NUMBER:  
430 - ALUMNI HOUSING  
DRAWN BY: Tony

REVISIONS:  
CITY SUBMITTAL

SHEET NAME • No.  
FIRST FLOOR PLAN

A1-01