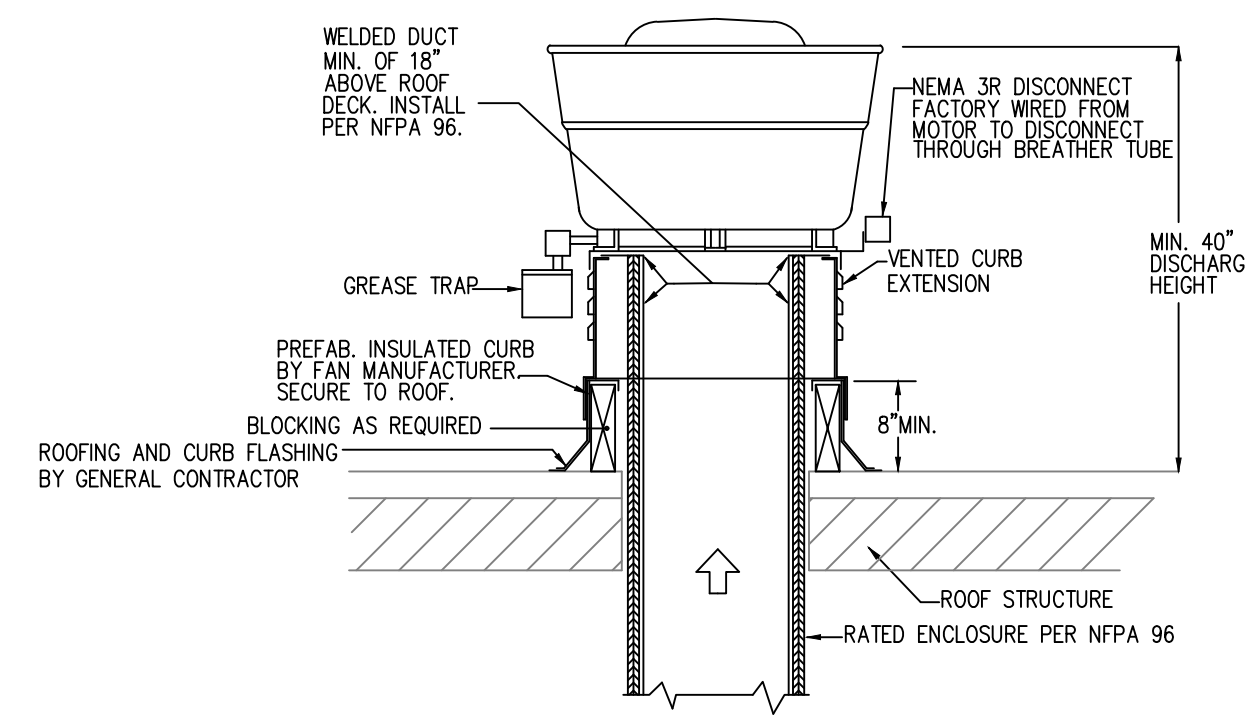
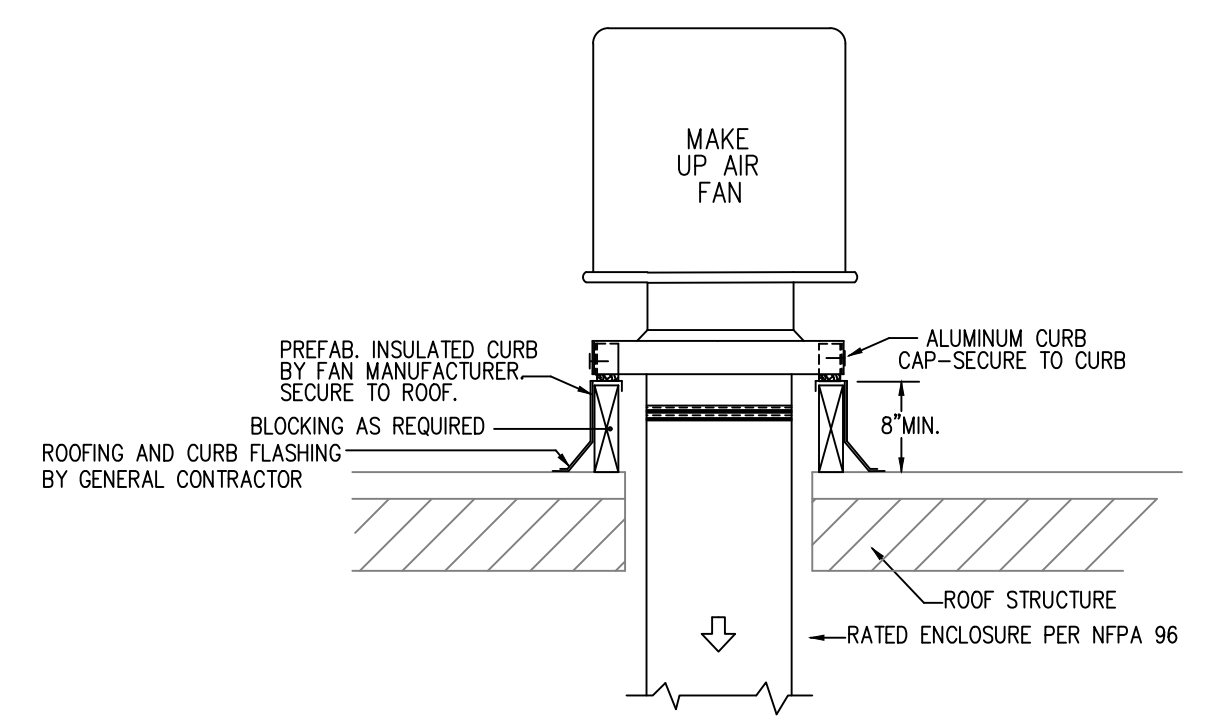


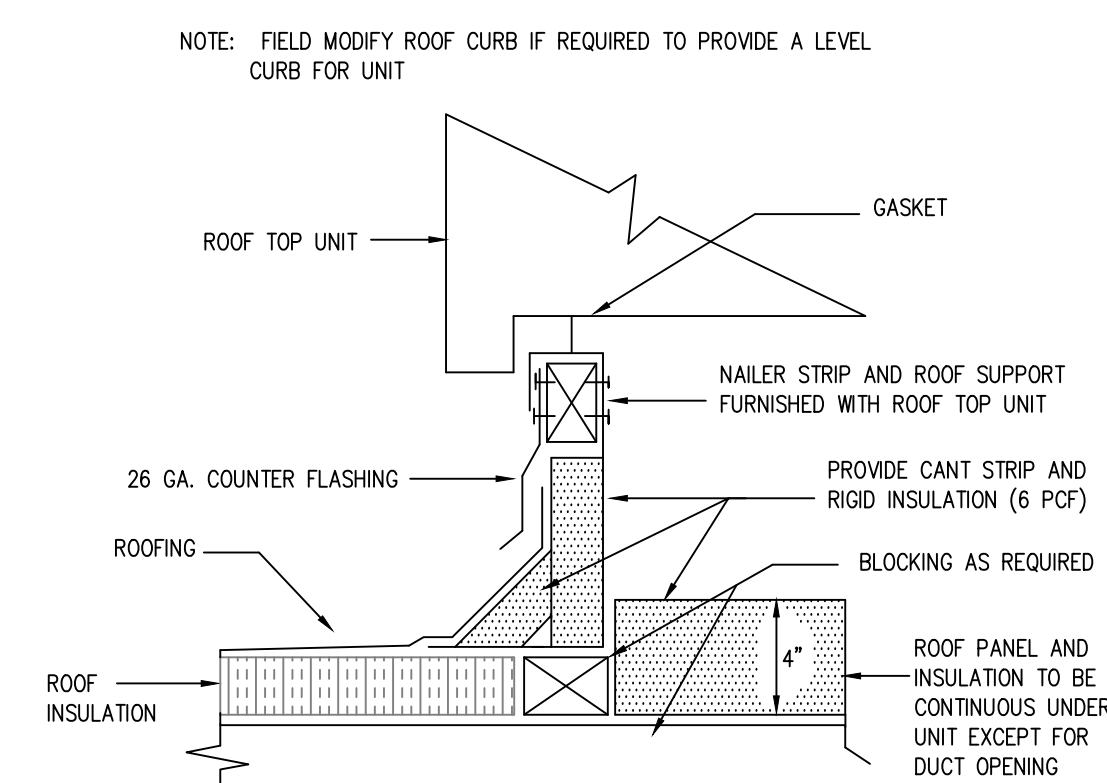
HVAC FLOOR PLAN  
BUILDING SCALE: 1/8" = 1'-0"



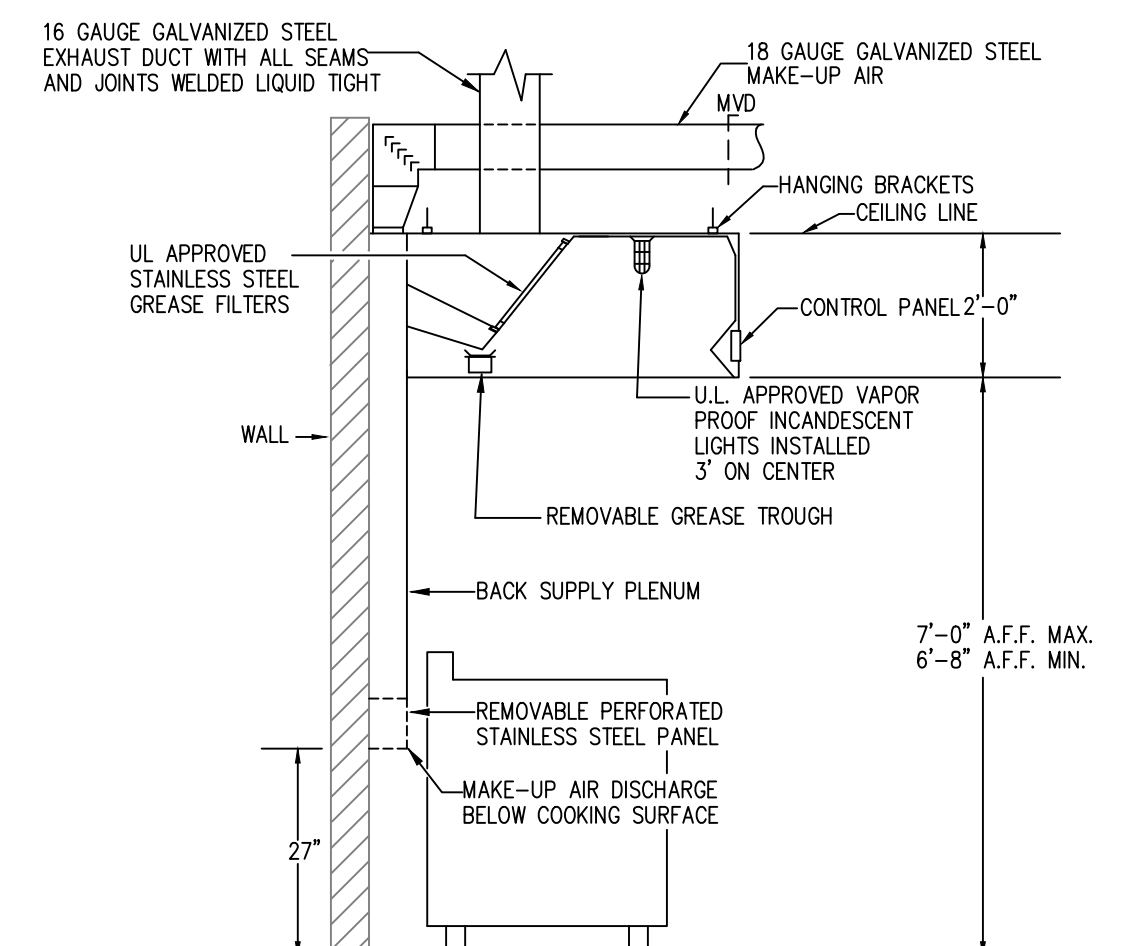
DETAIL-KITCHEN HOOD EXHAUST FAN  
N.T.S.



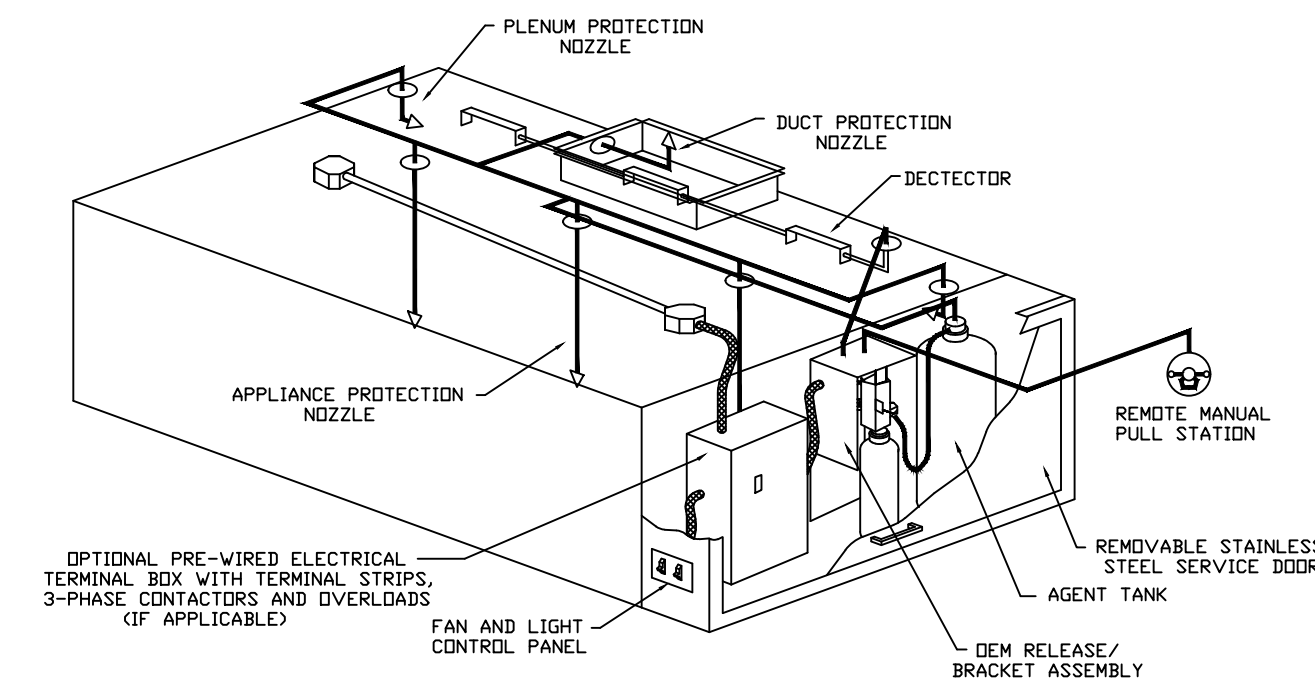
DETAIL-MAKE UP AIR FAN  
N.T.S.



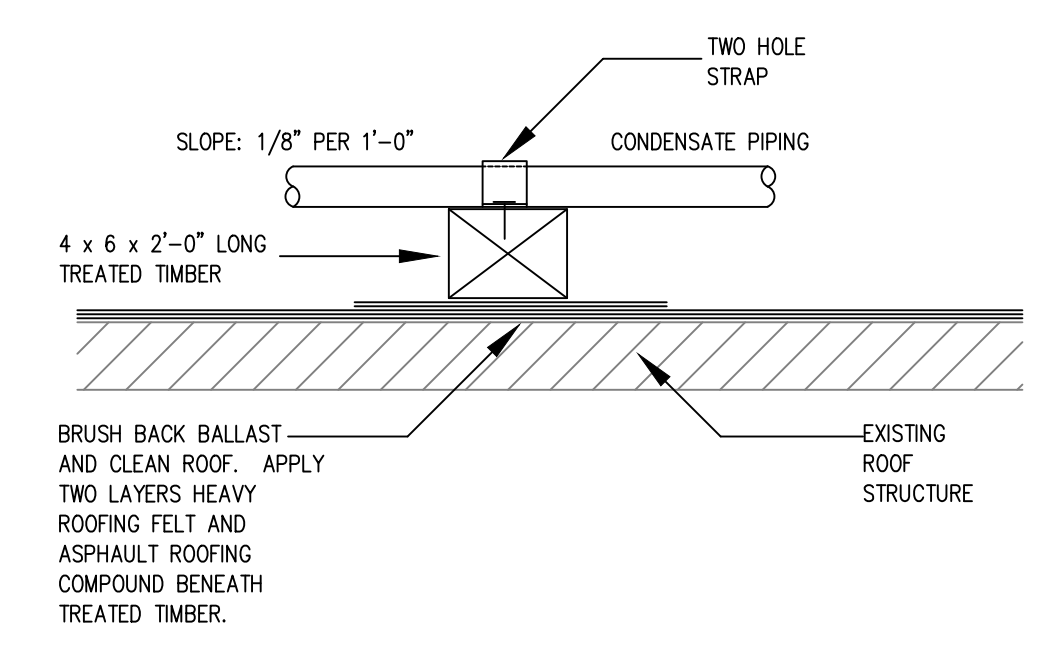
DETAIL-RTU EQUIPMENT SUPPORT  
N.T.S.



DETAIL-KITCHEN HOOD  
N.T.S.



TYPICAL ANSUL R-102 SYSTEM LAYOUT  
N.T.S.



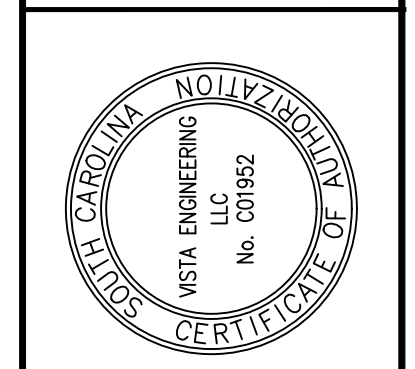
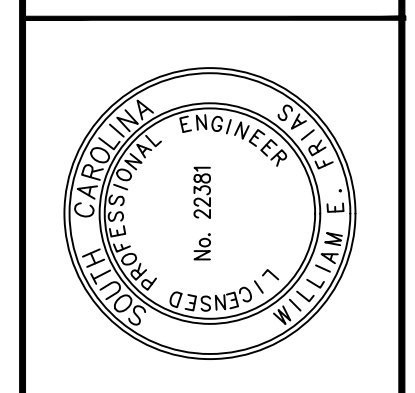
DETAIL-ROOF CONDENSATE PIPE SUPPORT  
N.T.S. N.T.S.

REVISIONS	DATE	BY	DESCRIPTION
1/30/09			RELOCATED HVAC UNITS

APPROVALS	ARCHITECT: GDB	ENGINEER: RRC	DRAWN BY: RRC	CHECKED BY: RRC
-----------	----------------	---------------	---------------	-----------------

This drawing and the design shown thereon are the property of Vista Engineering, Inc. The reproduction, copying, or other use of this drawing without the written consent of Vista Engineering, Inc. is prohibited and any infringement will be subject to legal action.

**ARCHITECTURA CONCEPTS AC INC.**  
235 Stoneridge Drive Suite C - Columbia, South Carolina 29210  
PH: (803) 730-8411 FAX: (803) 735-8413 EMAIL: arcon@archconcepts.com



TSUNAMI  
BOWER PARKWAY  
COLUMBIA, SOUTH CAROLINA

**VISTA ENGINEERING, LLC.**  
CONSULTING MECHANICAL ENGINEERING  
530 S. SALUDA AVE. COLUMBIA, SC 29205  
TEL: (803) 799-8900 FAX: (803) 799-8960  
E-MAIL: VISTAENGINEERING@AOL.COM

SHEET NO.	M1
OF	5
JOB NO.	07167MP
DATE:	10/29/07