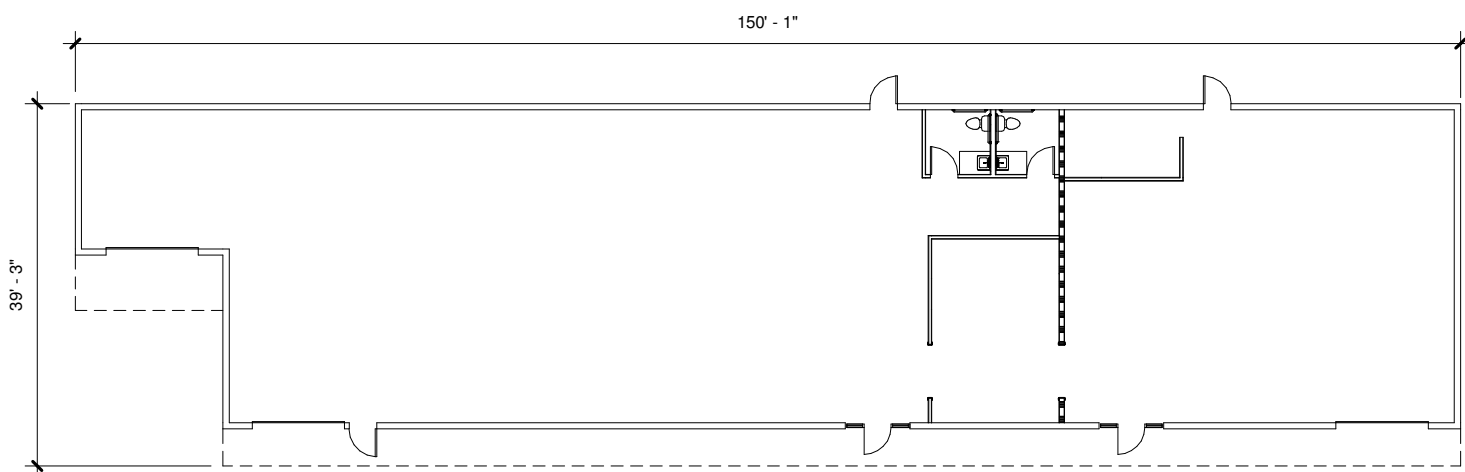


WASHINGTON STREET

7189 WASHINGTON STREET
SUITE G-H
COVINGTON, GA 30014

4,989 SF WAREHOUSE

5,621 RSF TOTAL



FOR LEASING CONTACT:

HAYES BREWER
404.290.2479
HAYES.BREWER@OAKLEYREP.COM



HUGHES TURNER PHILLIPS

ARCHITECTURE | INTERIOR DESIGN | SPACE PLANNING
2970 CLAIRMONT ROAD NE, SUITE 300, ATLANTA, GA 30329 | 404 233 3533

Information contained herein has been provided to broker by owner or from other sources. We have no reason to doubt its accuracy, but we do not guarantee it. Broker disclaims all expressed or implied responsibilities for omissions, errors, environmental conditions of soil / structure, operating systems, the roof, price and compliance with applicable laws. Suitability for intended use or any other matter is the responsibility of the purchaser or tenant. Prospective purchases or tenants agree to independently obtain and analyze all material information.