

# 4400 Bankers Circle

Atlanta, GA 30360

**SUITE D**

**5,000 SF**



## BUILDING INFORMATION

Property Type:	Distribution
Total Building Size:	65,000 SF
Available Size:	5,000 SF
Office:	747 SF
Loading Doors:	2 docks
Column Spacing:	25' x 33'
Clear Height:	19'
Sprinkler:	Wet System
Lighting:	LED



**Joseph Kriss**  
678.904.1910  
josephk@seefriedproperties.com

**Tripp Ausband**  
770.825.3391  
tausband@seefriedproperties.com

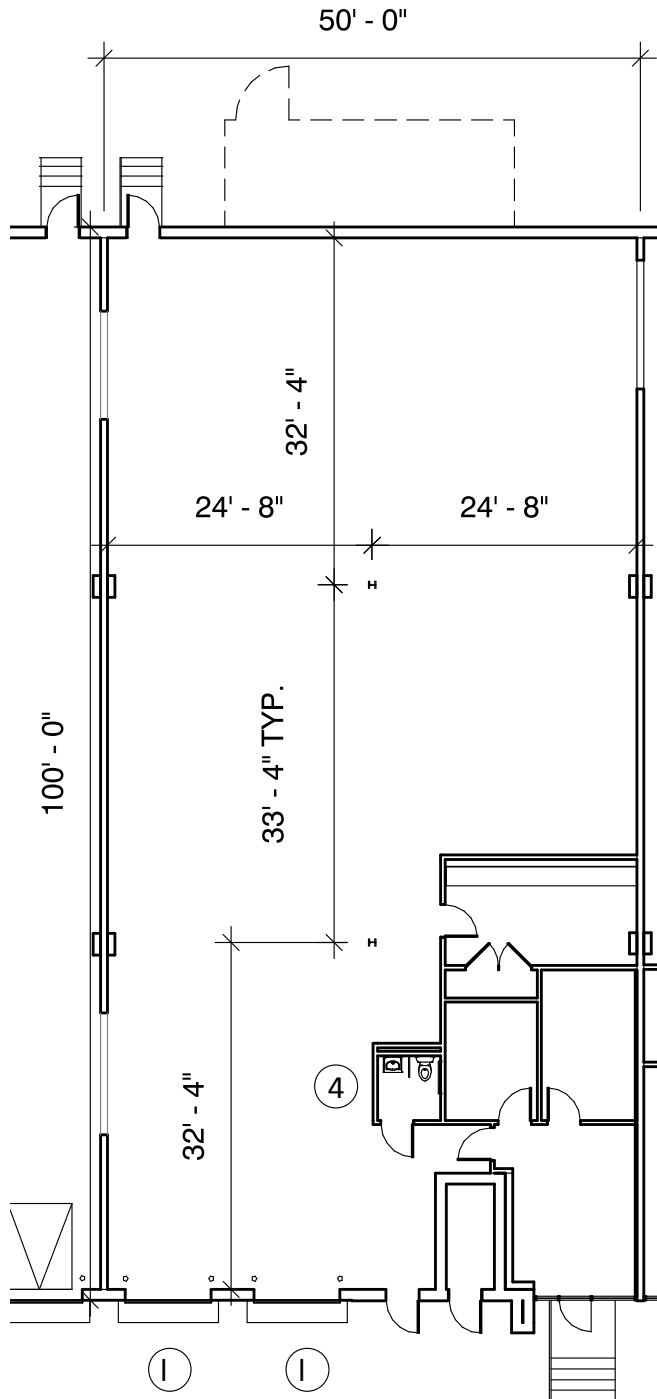
**Seefried Industrial Properties**  
3333 Riverwood Parkway, Suite 200 | Atlanta, GA 30339  
404.233.0204 | www.seefriedproperties.com

OWNED BY:  
**GID**

LEASED BY:  
**SEEFRIED**  
INDUSTRIAL PROPERTIES

No guarantee, warranty or representation, express or implied, is made as to the accuracy of the information contained herein, and same is submitted subject to errors, omissions, change of price, rental or other conditions, or withdrawal without notice.

# SUITE D – 5,000 SF



**Joseph Kriss**  
678.904.1910  
josephk@seefriedproperties.com

**Tripp Ausband**  
770.825.3391  
tausband@seefriedproperties.com

**Seefried Industrial Properties**  
3333 Riverwood Parkway, Suite 200 | Atlanta, GA 30339  
404.233.0204 | www.seefriedproperties.com

OWNED BY:



LEASED BY:

