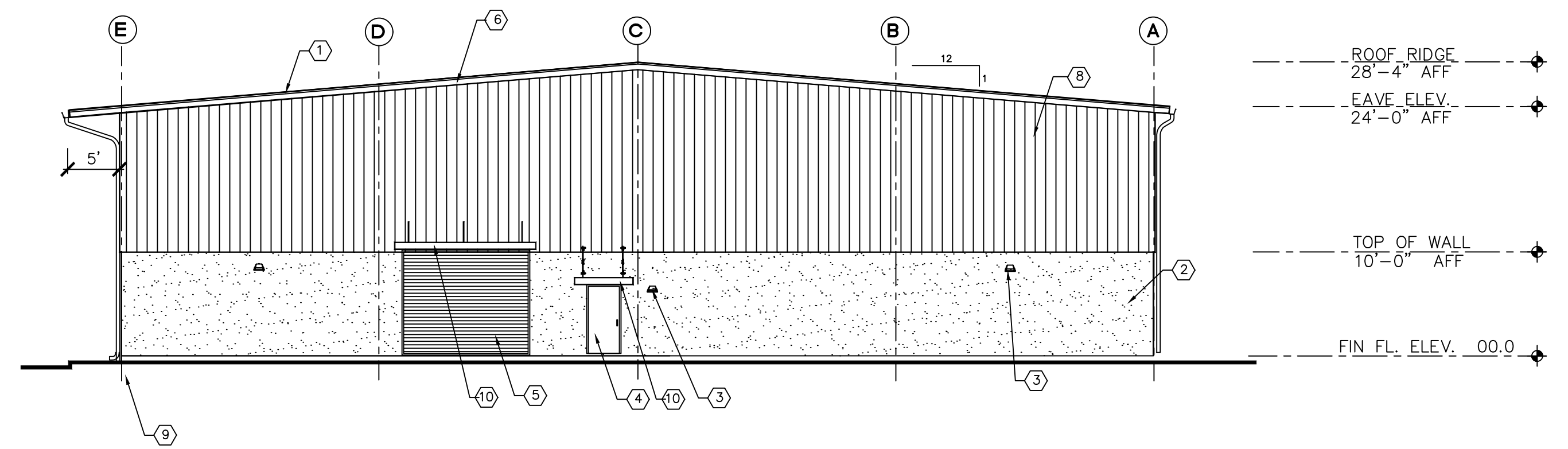
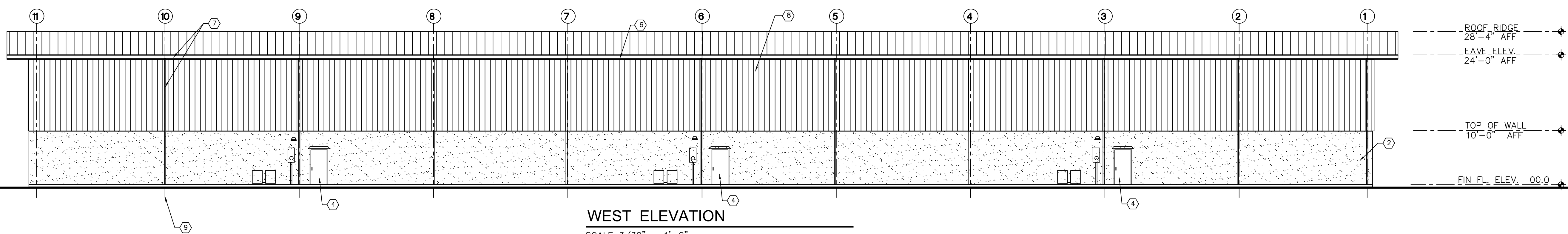


EXTERIOR FINISH LEGEND	
①	24 GA. (GALVALUME) ROOFING
②	PAINTED STUCCO ON CONCRETE BLOCK WALLS
③	WALL SECURITY LIGHT-SEE ELECTRICAL FIXTURE SCHEDULE
④	HOLLOW METAL DOORS.
⑤	12 X 10 OVERHEAD ROLL UP DOORS
⑥	FASCIA BY METAL BUILDING MANUFACTURER
⑦	GUTTER AND DOWNSPOUT WITH 4" PVC UNDER WALKWAY
⑧	INSULATED METAL BUILDING SIDING PANELS
⑨	COLUMN CENTER LINES
⑩	CANOPIES



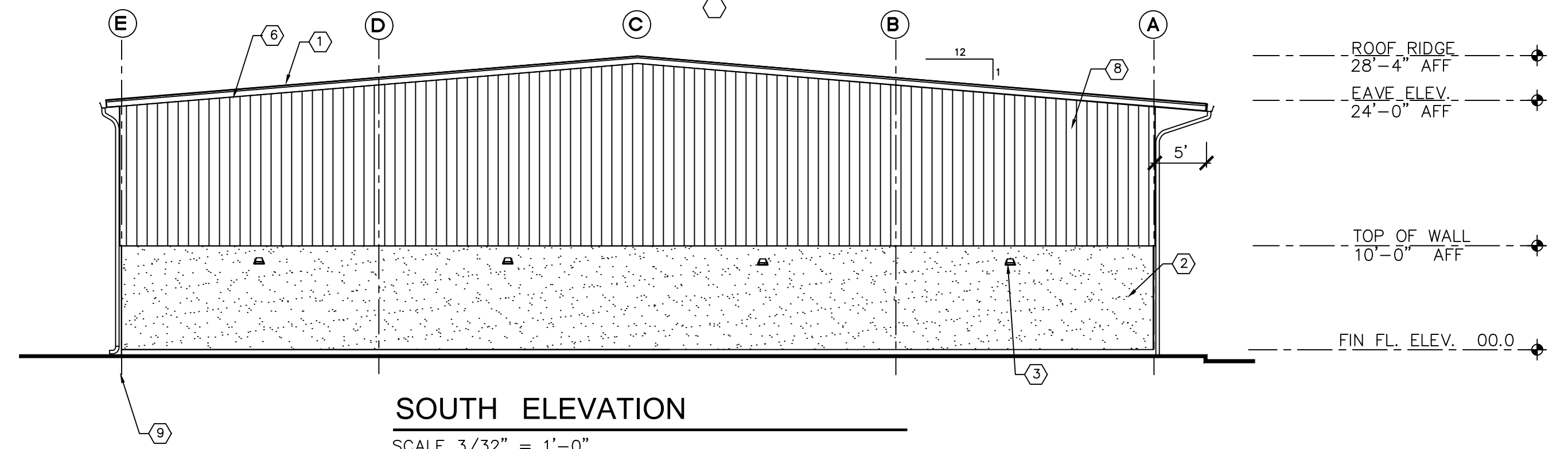
**NORTH ELEVATION**

SCALE 3/32" = 1'-0"



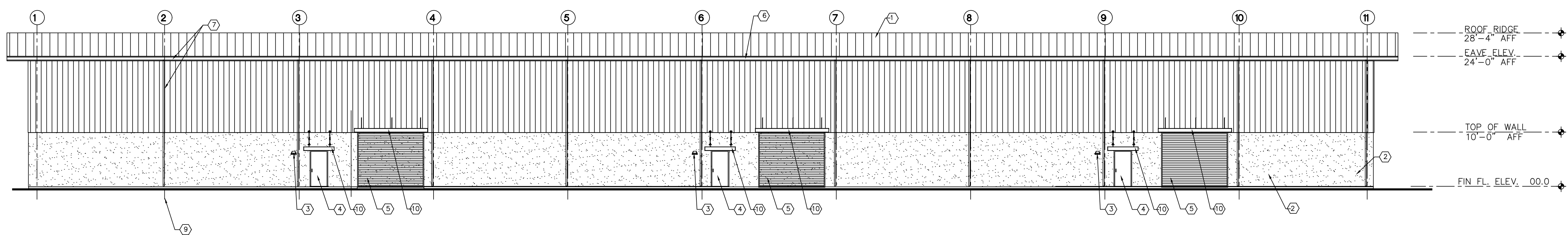
**WEST ELEVATION**

SCALE 3/32" = 1'-0"



**SOUTH ELEVATION**

SCALE 3/32" = 1'-0"



**EAST ELEVATION**

SCALE 3/32" = 1'-0"

PRELIMINARY 11-2024  
 NOT FOR  
 CONSTRUCTION

METAL INDUSTRIAL BUILDING  
 for KURT WILSON  
 2760 BUSINESS CENTER BLV.  
 BREVARD COUNTY FL. 32927

REVISIONS:	
1	
2	
3	

ISSUE DATE: XXXX  
 PROJECT NO.: D W 2024  
 CAD DWG FILE: WILSON  
 DRAWN BY: ps  
 CHECKED BY: ps  
 SHEET TITLE:

elevations

SHEET :

**A21**