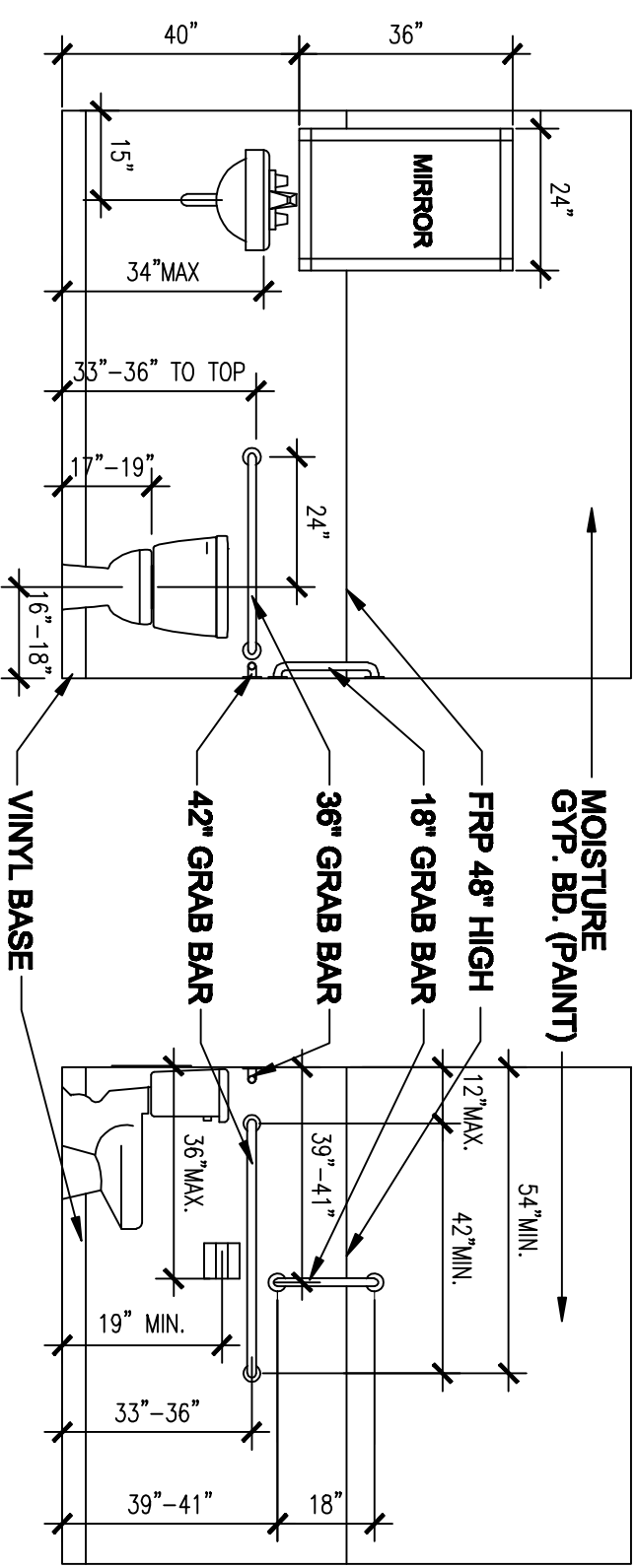
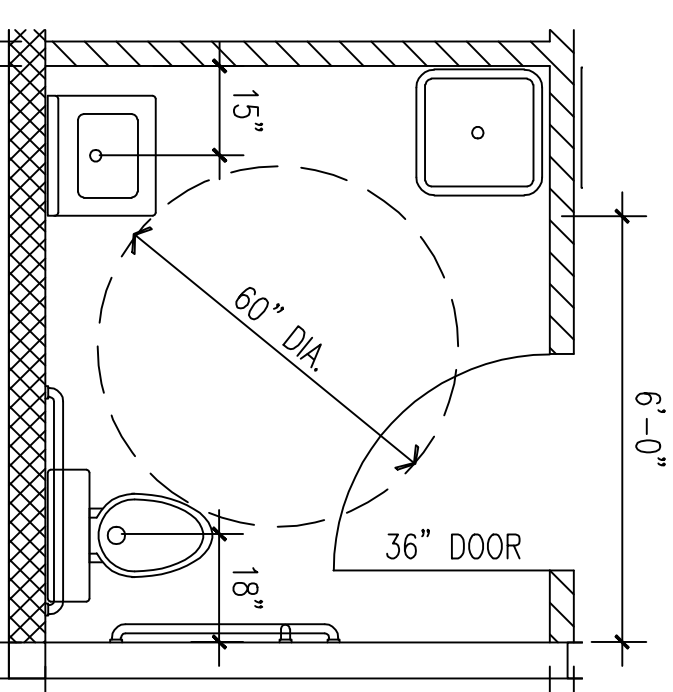


F GRAB BAR DETAIL
SCALE: 3/8" = 1'-0"

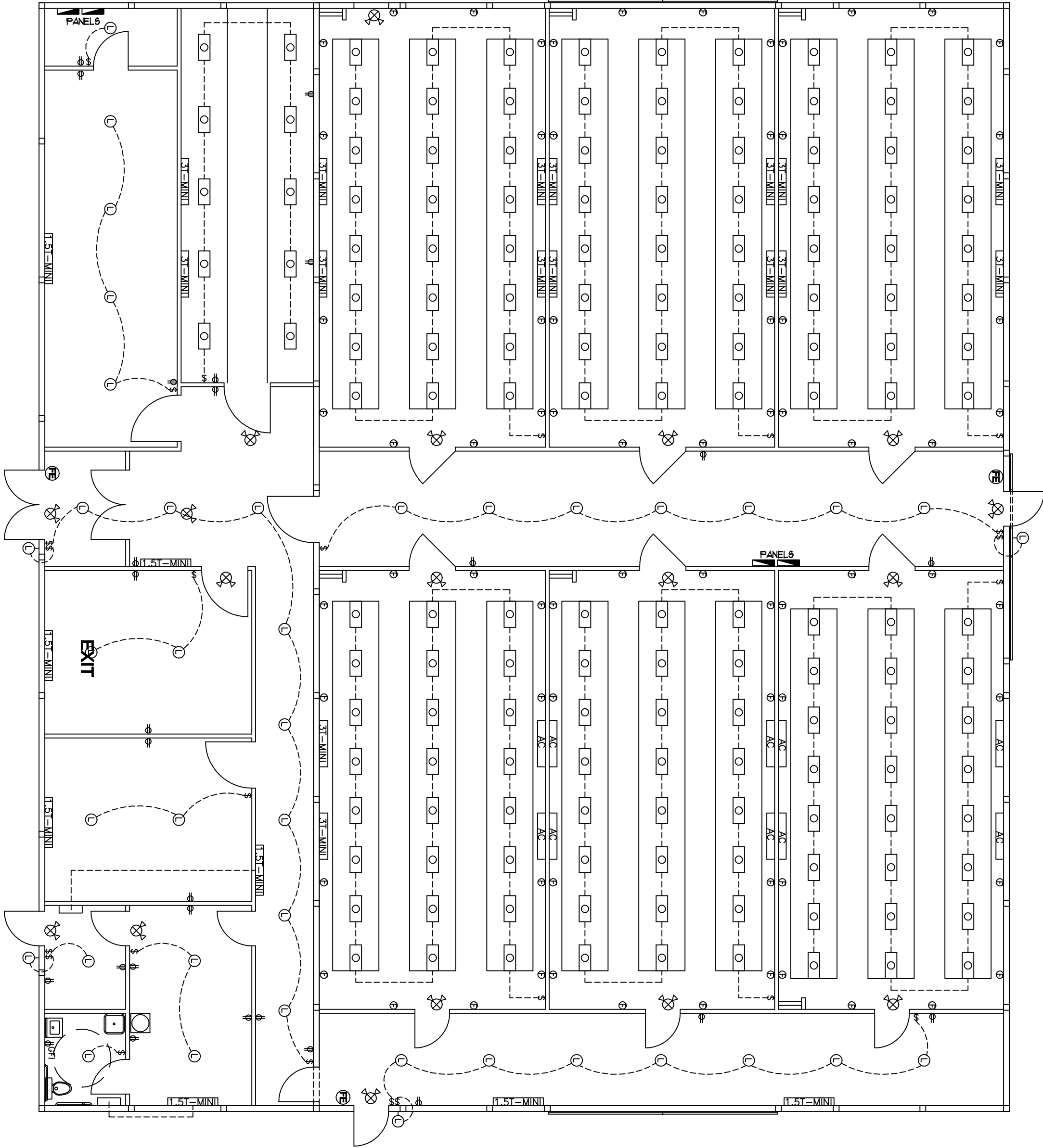


E ELEVATION @ TOILET
SCALE: 3/8" = 1'-0"

D ELEVATION @ TOILET
SCALE: 3/8" = 1'-0"



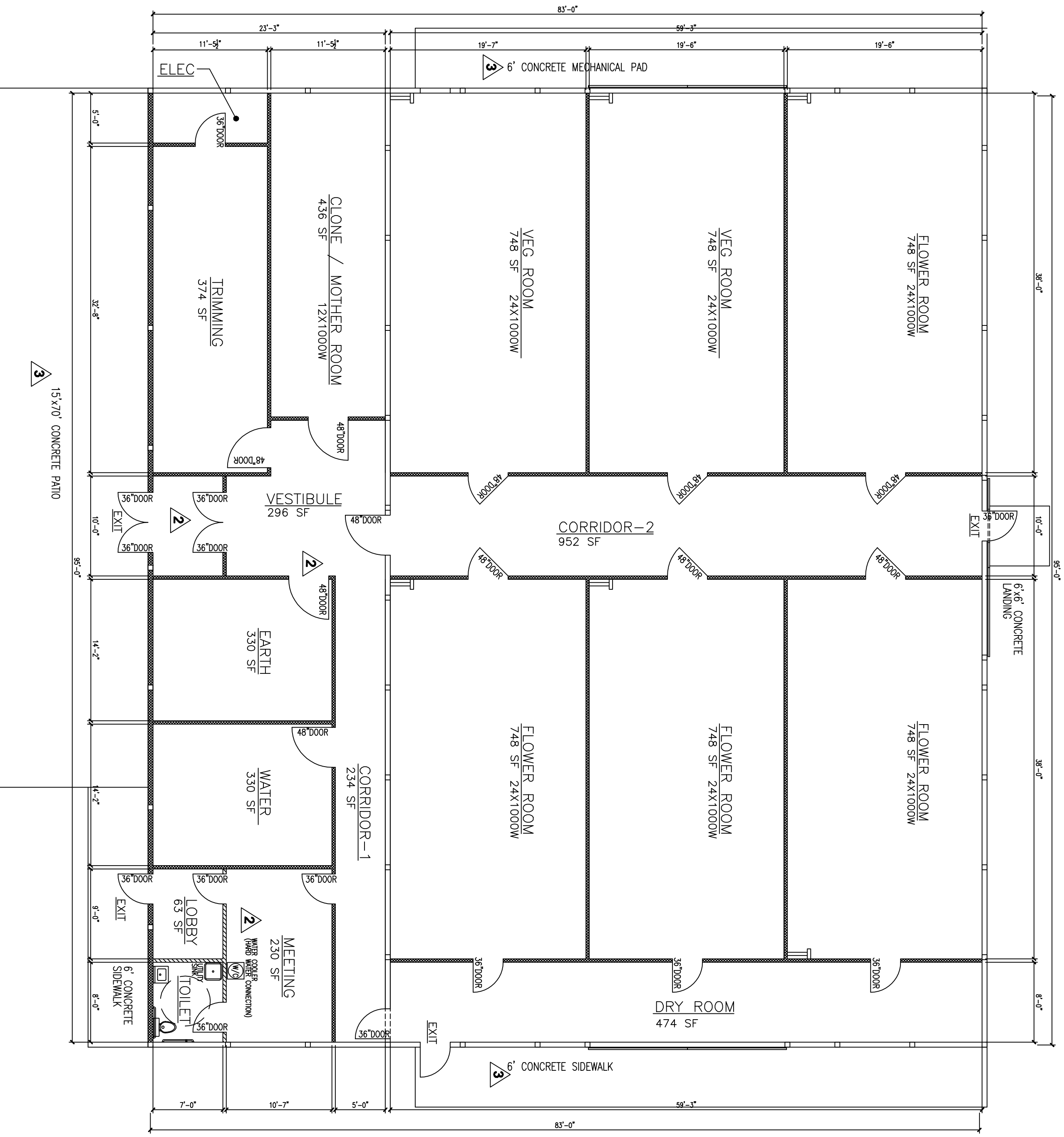
C ENLARGED PLAN
SCALE: 3/8" = 1'-0"



B EQUIPMENT / ELEC. PLAN
SCALE: 1/8" = 1'-0"

EQUIPMENT LEGEND:

	3T-MINI	MINI-SPLIT HVAC UNIT
	AC FILTER	
	VENTILATION FAN	
	CEILING MOUNTED LIGHT-REFLECTOR	
	ELECTRIC OUTLET	
	LIGHT FIXTURE	
	ELECTRIC SWITCH	
	WATER BARREL	
	GROWING TABLES	
	FIRE EXTINGUISHER	
	EXIT/EMERGENCY LIGHT BATTERY BACKUP	



A NEW FLOOR PLAN
SCALE: 1/8" = 1'-0"

PLAN LEGEND:

	OFFICE
	ROOM NAME
	NEW INSULATED PANEL WALL
	EXISTING METAL PANEL WALL
	EXISTING COLUMNS
	NEW DOOR
	EXISTING DOOR

FLOOR PLANS DETAILS

GREEN POWER GROW FACILITY
3595 EAST STATE HIGHWAY 9
NORMAN, OK 73071 (CLEVELAND COUNTY)

DISCIPLINE:
GEO TECH
STRUCTURAL
MECHANICAL
ELECTRICAL
PLUMBING

CONSULTANT:

ADDRESS:

PHONE:

PROJECT: 2022-06
DATE: 3/10/2022
REVISIONS #/DATE

#	DATE	#	DATE
1	4/15/2022	6	
2	5/30/2022	7	
3	8/27/2022	8	
4		9	
5		10	

SHEET: A2.1