



7220 W. JEFFERSON AVENUE
Lakewood, Colorado 80235



PROPERTY SPECIFICATIONS

- Local ownership and management
- Updated building and common areas
- Abundant nearby amenities
- Connectivity through Comcast
- Convenient location at Hwy 285 and Wadsworth
- Most suites have individual HVAC control

PROPERTY FEATURES

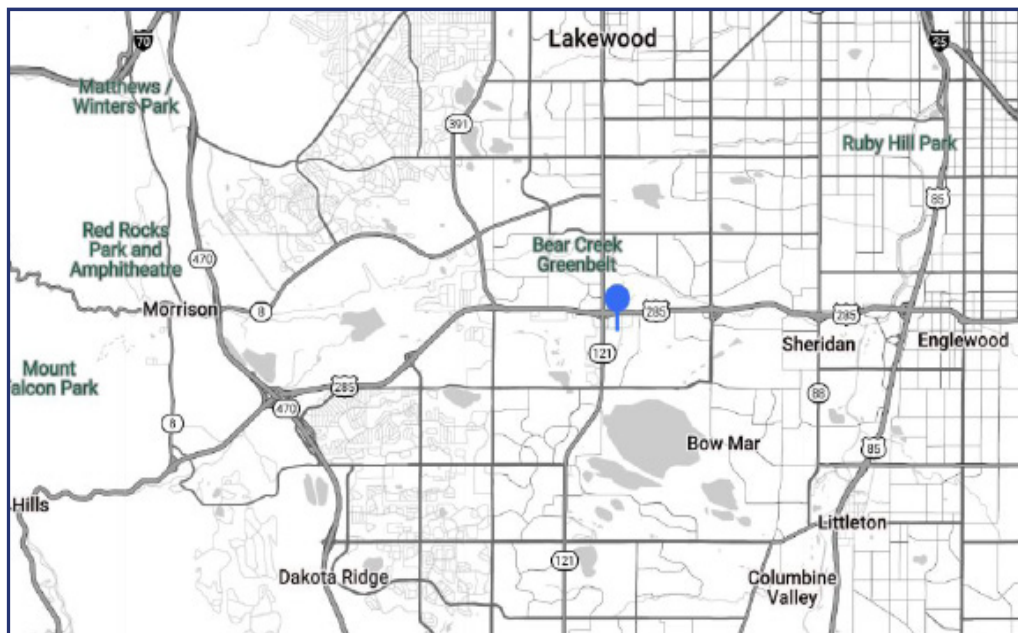
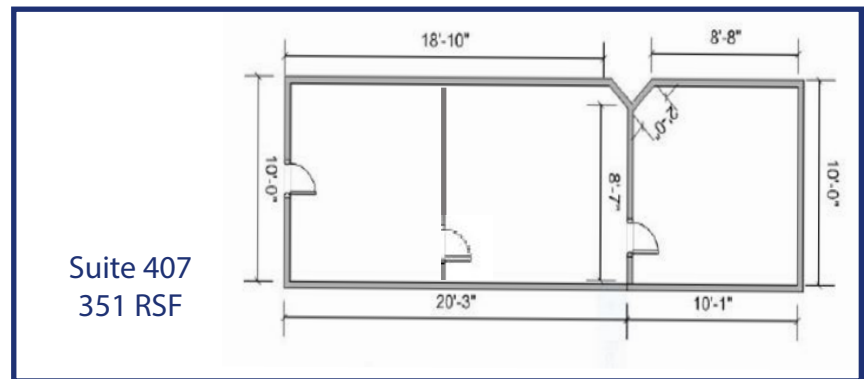
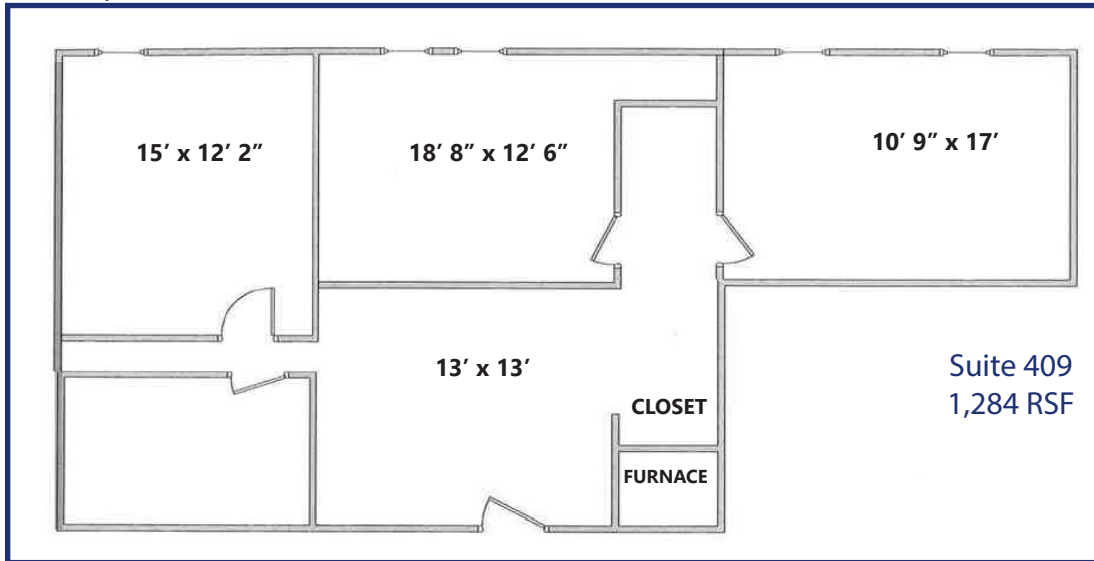
Available:	Suite 407	351 RSF
	Suite 409	1,284 RSF

Lease Rate:	\$17.00/RSF FSG
Parking Ratio:	4/1,000 SF
Stories:	Four
Elevators:	One

FOR MORE INFORMATION CONTACT:

RENÉE SPICER
rspicer@gcgcre.com | 720.476.5226

WILLIAM NETWAL
wnetwal@gcgcre.com | 720.476.5228



FOR MORE INFORMATION CONTACT:

RENÉE SPICER
rspicer@gcgcre.com | 720.476.5226

WILLIAM NETWAL
wnetwal@gcgcre.com | 720.476.5228