



Drawings Prepared By:  
Maloney Services  
832.257.4619  
maloneyservices@yahoo.com

DESIGNER INFORMATION

PROJECT TITLE

JETT BUSINESS PARK

SHELL BUILDING DRAWINGS

BUILDING "B"

5111 SPRING STUEBNER  
SPRING, TX., 77388

04-06-2026 OWNER REVIEW

PROJECT NO: 06102025

DRAWN BY: MJM

CHECKED BY: TGD

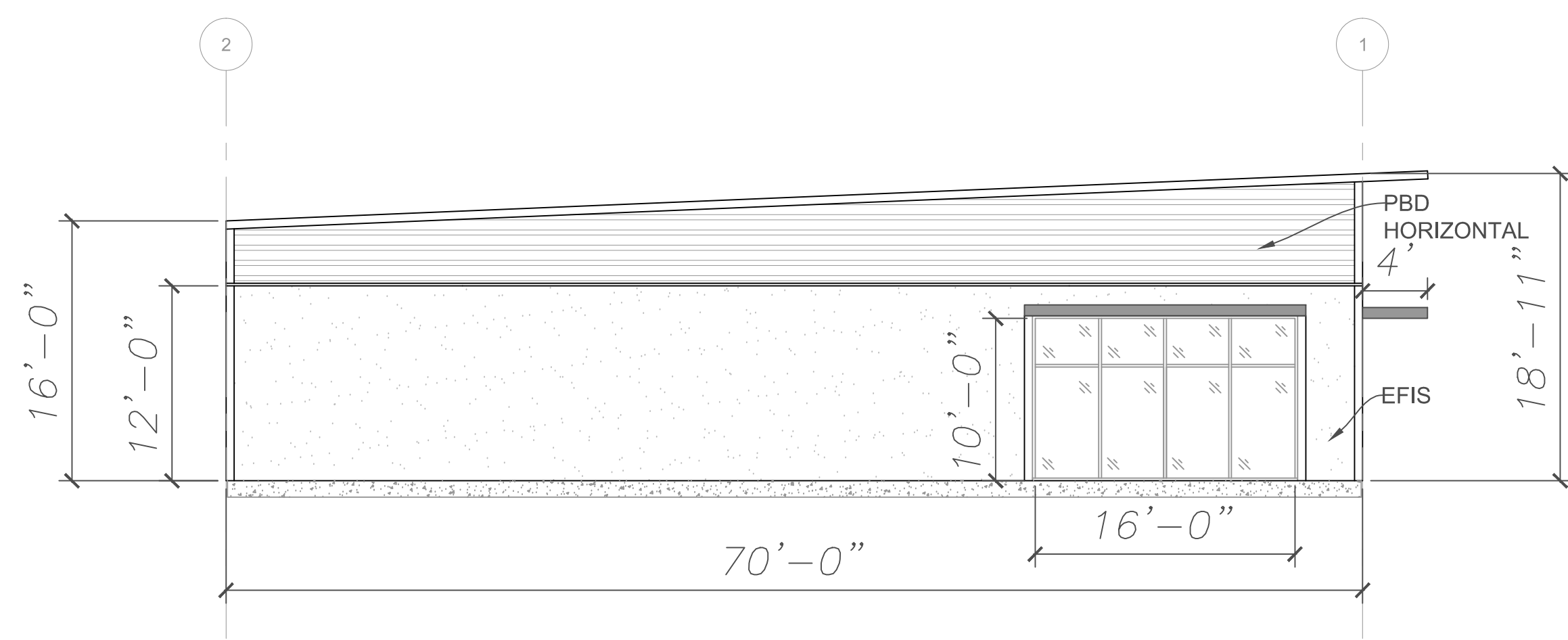
MALONEY SERVICES L.L.C. 2026. THIS OFFICE ASSUMES NO LIABILITY FOR ERRORS OR OMISSIONS ON THESE PLANS. ALL INFORMATION MUST BE CONFIRMED PRIOR TO COMMENCEMENT OF CONSTRUCTION. IT IS THE OWNERS AND BUILDERS RESPONSIBILITY FOR FOLLOWING MATERIAL AND MANUFACTURERS INSTRUCTIONS, AND USING RECOGNIZED STANDARDS FOR EACH TRADE, AS WELL AS COMPLIANCE IN FULL WITH ALL GOVERNING CODE REQUIREMENTS FOR THE GEOGRAPHIC AREA IN WHICH THIS PROJECT IS TO BE CONSTRUCTED.

SHEET TITLE

EXTERIOR ELEVATIONS

SHEET NUMBER

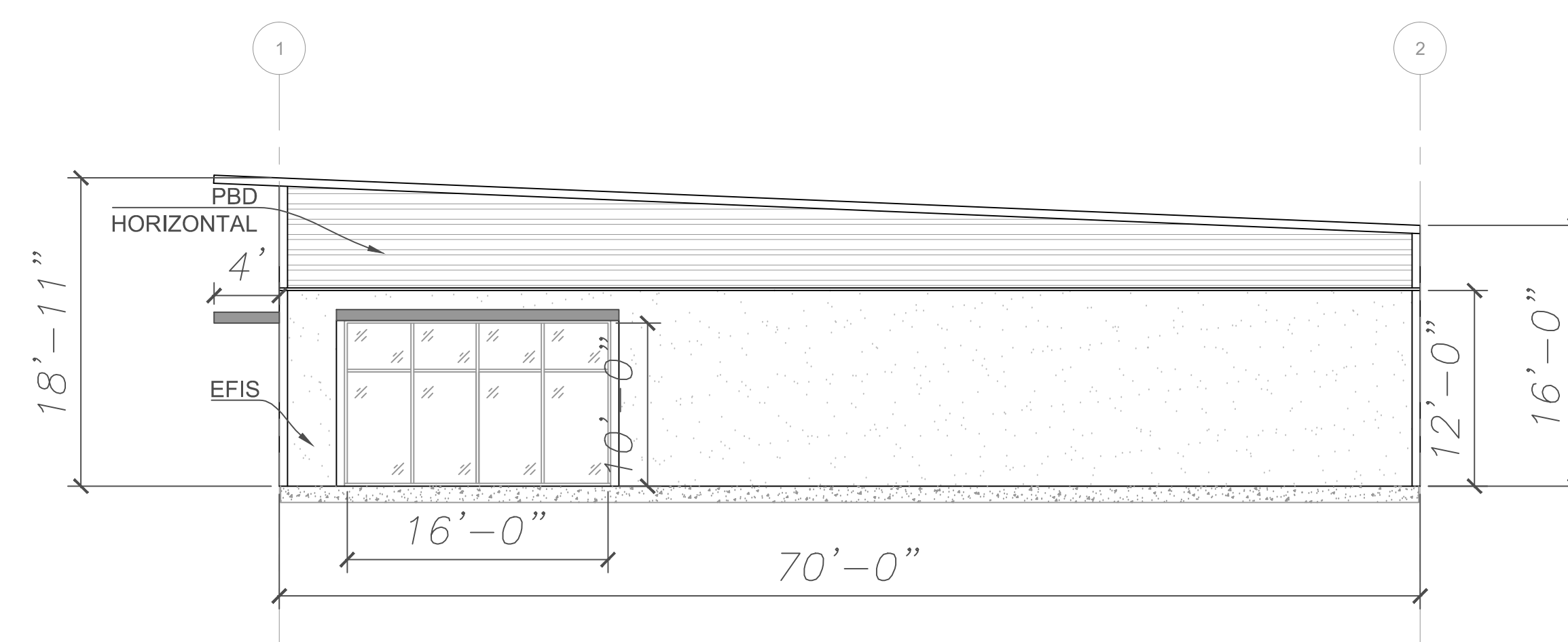
A1.30



EAST ELEVATION

SCALE: 3/32"=1'-0"

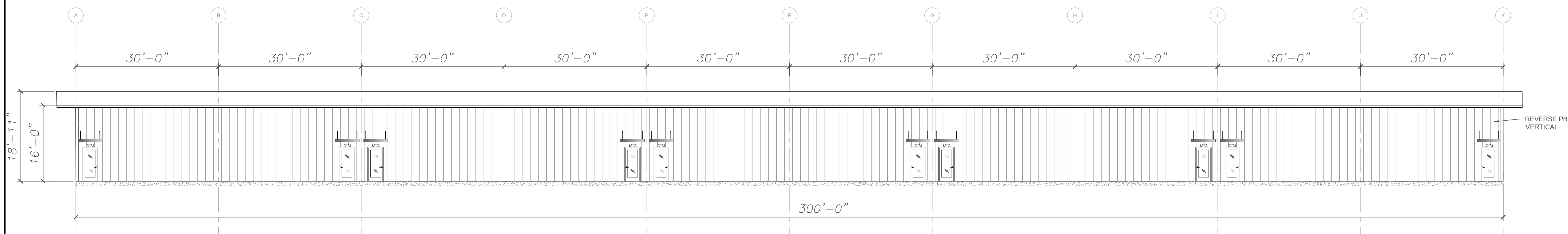
4



WEST ELEVATION

SCALE: 3/32"=1'-0"

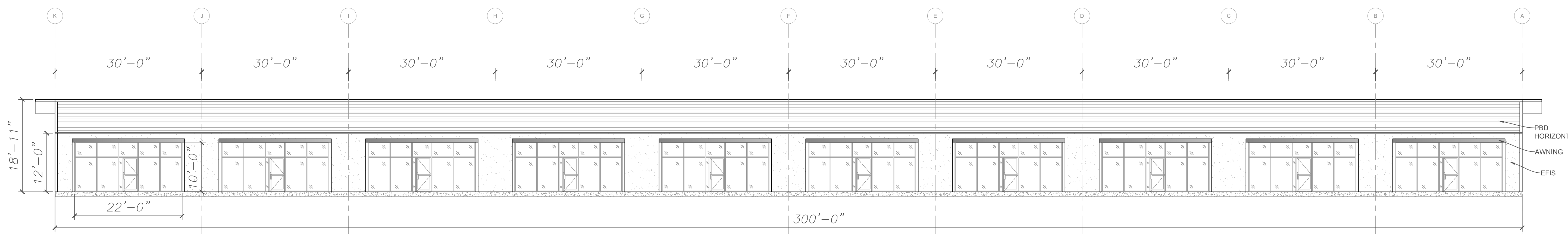
3



SOUTH ELEVATION

SCALE: 3/32"=1'-0"

2



NORTH ELEVATION

SCALE: 3/32"=1'-0"

1