

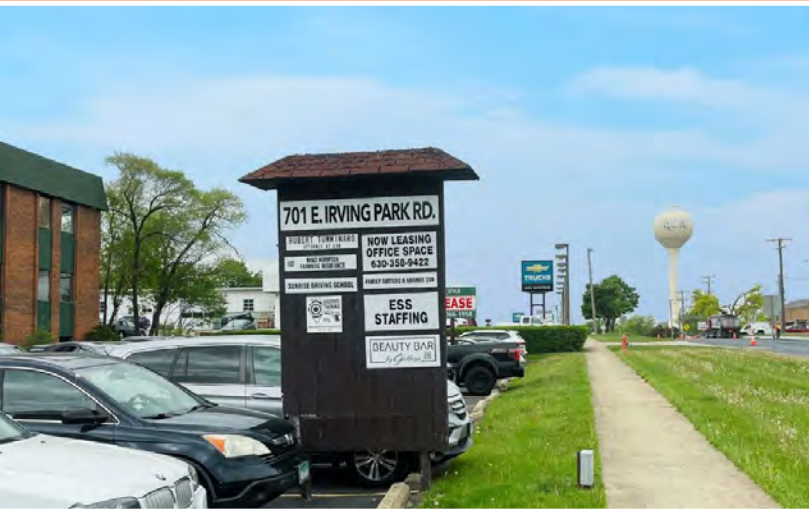


# SPRINGHILL *Office Center*

701 E Irving Park Road, Roselle, IL



**200 - 1,200 SF OFFICE SPACES FOR LEASE**



*presented by*  
Your SVN Suburban  
**NEXT LEVEL TEAM**

**Olivia Czyzynski**  
312.676.1862

**Jennifer Hopkins**  
312.676.1865

**Caitlin Crawford**  
847.464.8469

[nextlevelsuburbanchicago@svn.com](mailto:nextlevelsuburbanchicago@svn.com)

# PROPERTY & OFFERING SUMMARY



## OFFERING SUMMARY

<b>SALE PRICE:</b>	N/A
<b>LEASE RATE:</b>	\$12 - 22 SF/yr (MG)
<b>AVAILABLE SF:</b>	200 - 1,200 SF
<b>LOT SIZE:</b>	1.5 AC
<b>BUILDING SIZE:</b>	16,800 SF
<b>YEAR BUILT/RENOVATED:</b>	1960/2011
<b>ZONING:</b>	C-1
<b>COUNTY:</b>	Dupage
<b>SUBMARKET:</b>	North Dupage

## PROPERTY DESCRIPTION

701 E Irving Park Road offers a variety of move-in ready suites ranging from 200 SF to 1,200 SF, accommodating a variety of business needs—from solo professionals to growing practices. Each suite features its own private bathroom, providing convenience and comfort for tenants and clients alike.

This well-maintained property is ideal for medical, office, wellness, or service-based users seeking a highly visible and accessible location in Roselle's vibrant commercial corridor. Ample on-site parking and signage opportunities further enhance the appeal for both clients and businesses.

## LOCATION DESCRIPTION

Situated along the heavily traveled Irving Park Road (Route 19) corridor, 701 E Irving Park Road offers excellent visibility and accessibility in the heart of Roselle's commercial district. The property is directly across from the Roselle Metra Station, providing convenient commuter access, and is easily reached via nearby major thoroughfares including Route 20, I-290, and I-355.

## PROPERTY HIGHLIGHTS

- DIRECTLY ACROSS FROM METRA TRAIN STATION
- Monument signage available
- Highly visible location on Irving Park Road (Route 19)
- Surrounded by strong demographics and established residential neighborhoods
- Well-maintained property with professional curb appeal

**OLIVIA CZYZYNSKI**    **JENNIFER HOPKINS, MBA**  
O: 312.676.1862      O: 312.676.1865  
olivia.czyzynski@svn.com    jennifer.hopkins@svn.com

**LINA ADAMIS**  
O: 224.723.2528  
evangelina.adamis@svn.com

## LEASE SPACES

### LEASE INFORMATION

<b>LEASE TYPE:</b>	MG	<b>LEASE TERM:</b>	Negotiable
<b>TOTAL SPACE:</b>	200 - 1,200 SF	<b>LEASE RATE:</b>	\$12 - \$22 SF/yr

### AVAILABLE SPACES

#### SUITE TENANT SIZE (SF) LEASE TYPE LEASE RATE DESCRIPTION

Suite 100	Available	600 SF	Modified Gross	\$14.00 SF/yr	Unit features open area, one private office, and a private bathroom. Please refer to the floor plan in brochure.
Suite 103	Available	600 SF	Modified Gross	\$14.00 SF/yr	One private main room, one private bath, one private closet and two private offices.
Suite 104	Available	1,200 SF	Modified Gross	\$12.00 SF/yr	Unit features open area, four private offices, and two private bathrooms. Please refer to the floor plan in brochure.
Suite 200	Available	750 SF	Modified Gross	\$14.00 SF/yr	Lower level of the building. Two private offices and one common area. Private bathroom and closet. Renovated just a few years ago and new carpet at that time.
Suite 204	Available	600 SF	Modified Gross	\$14.00 SF/yr	Unit features an open floor plan and a private bathroom. Please refer to the floor plan in brochure.
Suite 303	Available	200 SF	Modified Gross	\$22.00 SF/yr	Unit features an open floor plan and a private bathroom.

**OLIVIA CZYZYNSKI**

O: 312.676.1862

olivia.czyzynski@svn.com

**JENNIFER HOPKINS, MBA**

O: 312.676.1865

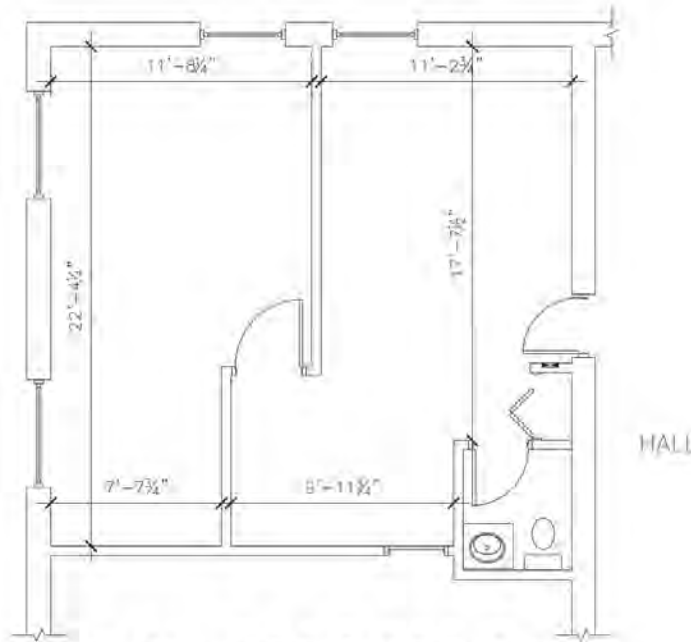
jennifer.hopkins@svn.com

**LINA ADAMIS**

O: 224.723.2528

evangelina.adamis@svn.com

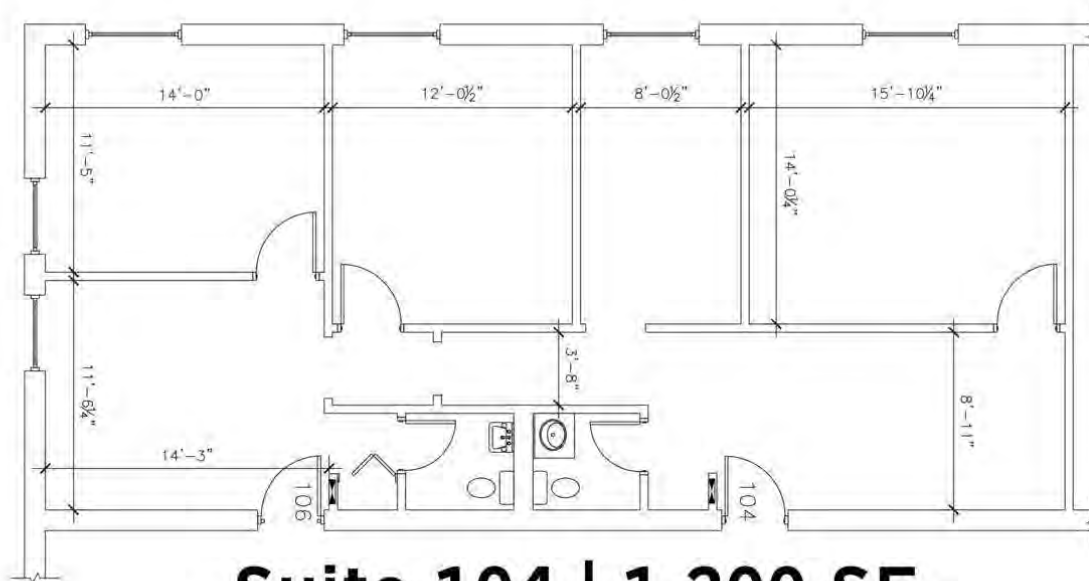
# BUILDING FLOOR PLANS



**Suite 100 | 600 SF**

One private main room, one private bathroom,  
one private closet and two private offices.

**Suite 103 | 600 SF**



**Suite 104 | 1,200 SF**

**OLIVIA CZYZYNSKI**  
O: 312.676.1862  
olivia.czyzynski@svn.com

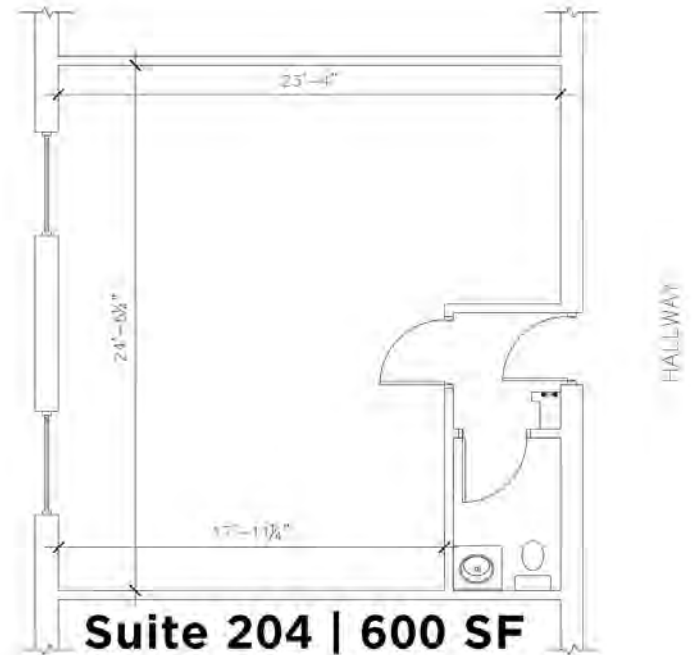
**JENNIFER HOPKINS, MBA**  
O: 312.676.1865  
jennifer.hopkins@svn.com

**LINA ADAMIS**  
O: 224.723.2528  
evangelina.adamis@svn.com

# BUILDING FLOOR PLANS

Lower level of the building. Two private offices  
and one common area. Private bathroom and closet.  
Renovated a few years ago and new carpet at that time.

## Suite 200 | 750 SF



Unit features an open floor plan and a private bathroom.

## Suite 303 | 200 SF

**OLIVIA CZYZYNSKI**  
O: 312.676.1862  
olivia.czyzynski@svn.com

**JENNIFER HOPKINS, MBA**  
O: 312.676.1865  
jennifer.hopkins@svn.com

**LINA ADAMIS**  
O: 224.723.2528  
evangelina.adamis@svn.com

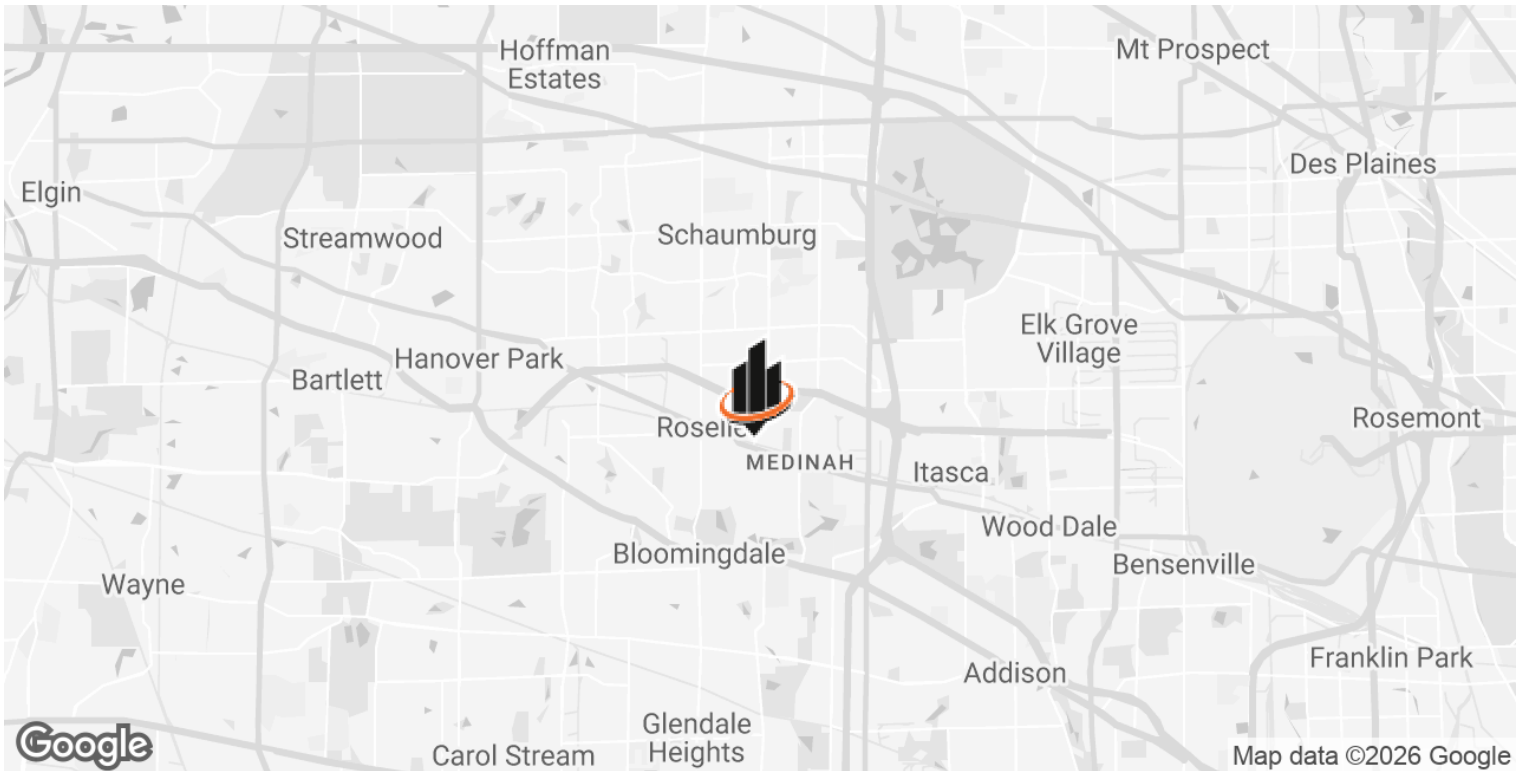
## ADDITIONAL PHOTOS



**OLIVIA CZYZYNSKI**    **JENNIFER HOPKINS, MBA**  
O: 312.676.1862    O: 312.676.1865  
olivia.czyzynski@svn.com    jennifer.hopkins@svn.com

**LINA ADAMIS**  
O: 224.723.2528  
evangelina.adamis@svn.com

# RETAIL & LOCATION MAP

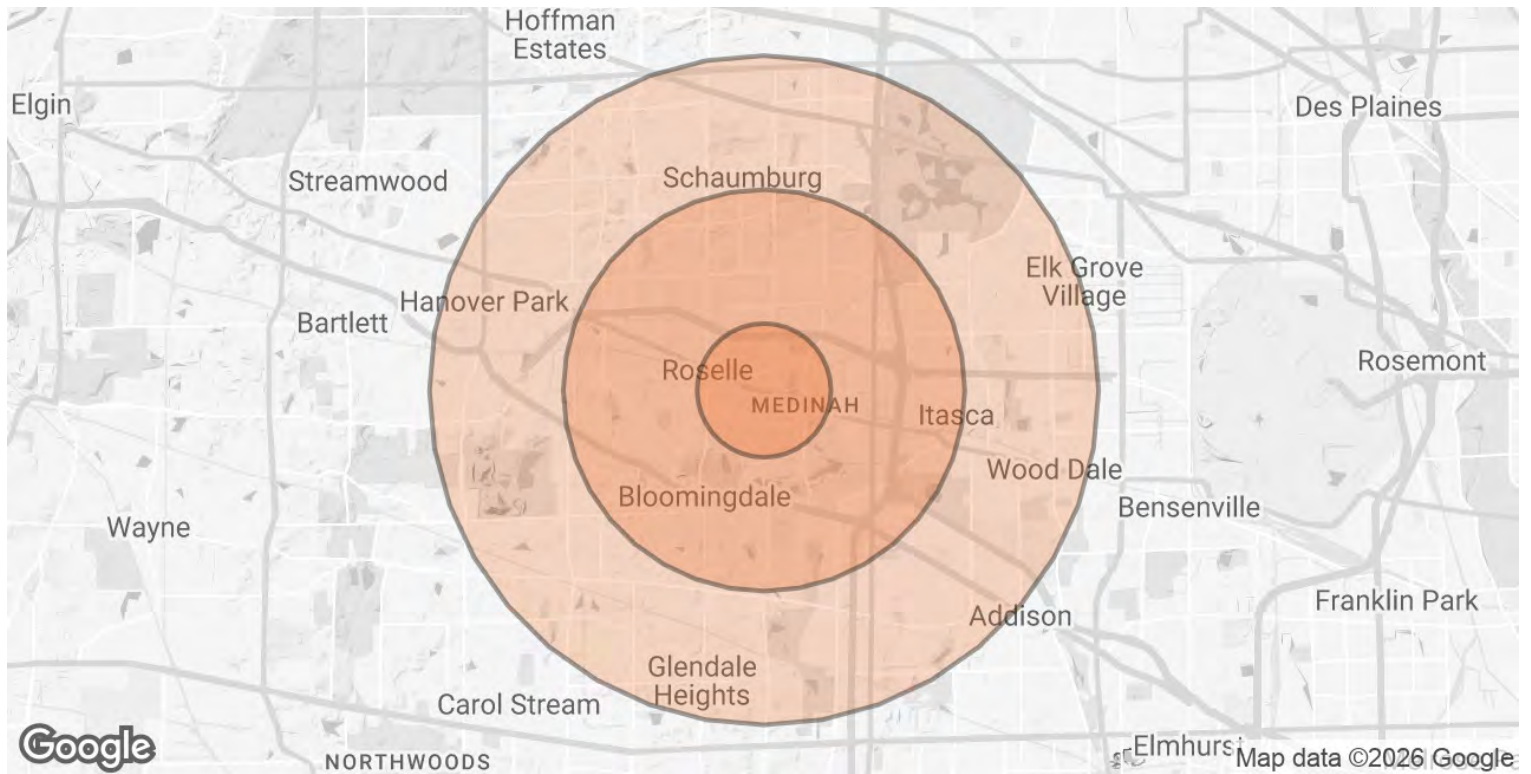


**OLIVIA CZYZYNSKI**  
 O: 312.676.1862  
 olivia.czyzynski@svn.com

**JENNIFER HOPKINS, MBA**  
 O: 312.676.1865  
 jennifer.hopkins@svn.com

**LINA ADAMIS**  
 O: 224.723.2528  
 evangelina.adamis@svn.com

# DEMOGRAPHICS MAP & REPORT



<b>POPULATION</b>	<b>1 MILE</b>	<b>3 MILES</b>	<b>5 MILES</b>
<b>TOTAL POPULATION</b>	10,604	87,479	246,011
<b>AVERAGE AGE</b>	42	43	42
<b>AVERAGE AGE (MALE)</b>	41	42	41
<b>AVERAGE AGE (FEMALE)</b>	43	44	43
<b>HOUSEHOLDS &amp; INCOME</b>	<b>1 MILE</b>	<b>3 MILES</b>	<b>5 MILES</b>
<b>TOTAL HOUSEHOLDS</b>	4,265	34,017	91,949
<b># OF PERSONS PER HH</b>	2.5	2.6	2.7
<b>AVERAGE HH INCOME</b>	\$128,005	\$128,576	\$121,369
<b>AVERAGE HOUSE VALUE</b>	\$408,058	\$397,468	\$357,243

2020 American Community Survey (ACS)

**OLIVIA CZYZYNSKI**  
 O: 312.676.1862  
 olivia.czyzynski@svn.com

**JENNIFER HOPKINS, MBA**  
 O: 312.676.1865  
 jennifer.hopkins@svn.com

**LINA ADAMIS**  
 O: 224.723.2528  
 evangelina.adamis@svn.com

## DISCLAIMER

The material contained in this Offering Brochure is furnished solely for the purpose of considering the purchase of the property within and is not to be used for any other purpose. This information should not, under any circumstances, be photocopied or disclosed to any third party without the written consent of the SVN® Advisor or Property Owner, or used for any purpose whatsoever other than to evaluate the possible purchase of the Property.

The only party authorized to represent the Owner in connection with the sale of the Property is the SVN Advisor listed in this proposal, and no other person is authorized by the Owner to provide any information or to make any representations other than contained in this Offering Brochure. If the person receiving these materials does not choose to pursue a purchase of the Property, this Offering Brochure must be returned to the SVN Advisor.

Neither the SVN Advisor nor the Owner make any representation or warranty, express or implied, as to the accuracy or completeness of the information contained herein, and nothing contained herein is or shall be relied upon as a promise or representation as to the future representation of the Property. This Offering Brochure may include certain statements and estimates with respect to the Property. These Assumptions may or may not be proven to be correct, and there can be no assurance that such estimates will be achieved. Further, the SVN Advisor and the Owner disclaim any and all liability for representations or warranties, expressed or implied, contained in or omitted from this Offering Brochure, or any other written or oral communication transmitted or made available to the recipient. The recipient shall be entitled to rely solely on those representations and warranties that may be made to it in any final, fully executed and delivered Real Estate Purchase Agreement between it and Owner.

The information contained herein is subject to change without notice and the recipient of these materials shall not look to Owner or the SVN Advisor nor any of their officers, employees, representatives, independent contractors or affiliates, for the accuracy or completeness thereof. Recipients of this Offering Brochure are advised and encouraged to conduct their own comprehensive review and analysis of the Property.

This Offering Brochure is a solicitation of interest only and is not an offer to sell the Property. The Owner expressly reserves the right, at its sole discretion, to reject any or all expressions of interest to purchase the Property and expressly reserves the right, at its sole discretion, to terminate negotiations with any entity, for any reason, at any time with or without notice. The Owner shall have no legal commitment or obligation to any entity reviewing the Offering Brochure or making an offer to purchase the Property unless and until the Owner executes and delivers a signed Real Estate Purchase Agreement on terms acceptable to Owner, in Owner's sole discretion. By submitting an offer, a prospective purchaser will be deemed to have acknowledged the foregoing and agreed to release the Owner and the SVN Advisor from any liability with respect thereto.

To the extent Owner or any agent of Owner corresponds with any prospective purchaser, any prospective purchaser should not rely on any such correspondence or statements as binding Owner. Only a fully executed Real Estate Purchase Agreement shall bind the property and each prospective purchaser proceeds at its own risk.

**OLIVIA CZYZYNSKI**

O: 312.676.1862

olivia.czyzynski@svn.com

**JENNIFER HOPKINS, MBA**

O: 312.676.1865

jennifer.hopkins@svn.com

**LINA ADAMIS**

O: 224.723.2528

evangelina.adamis@svn.com