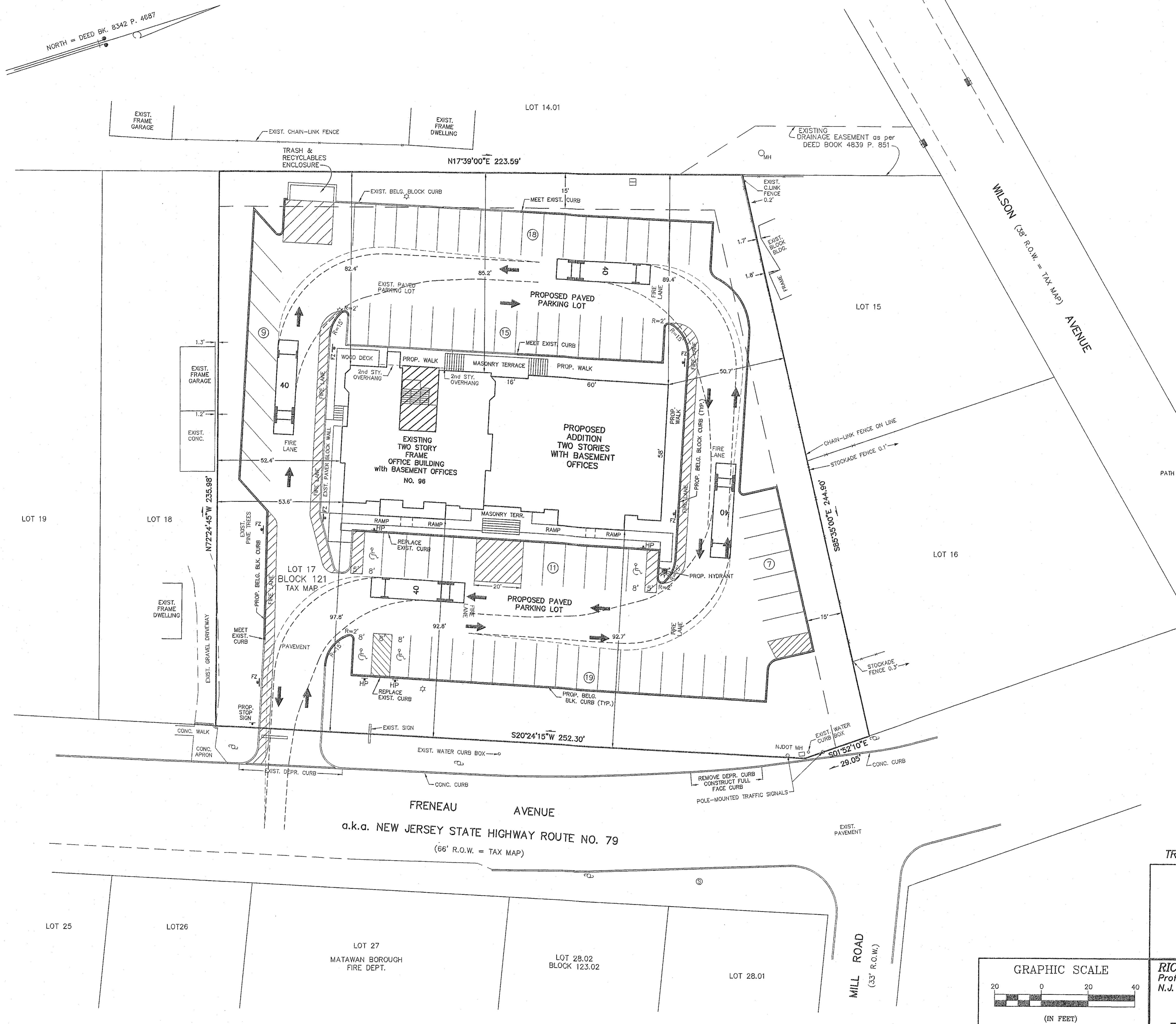
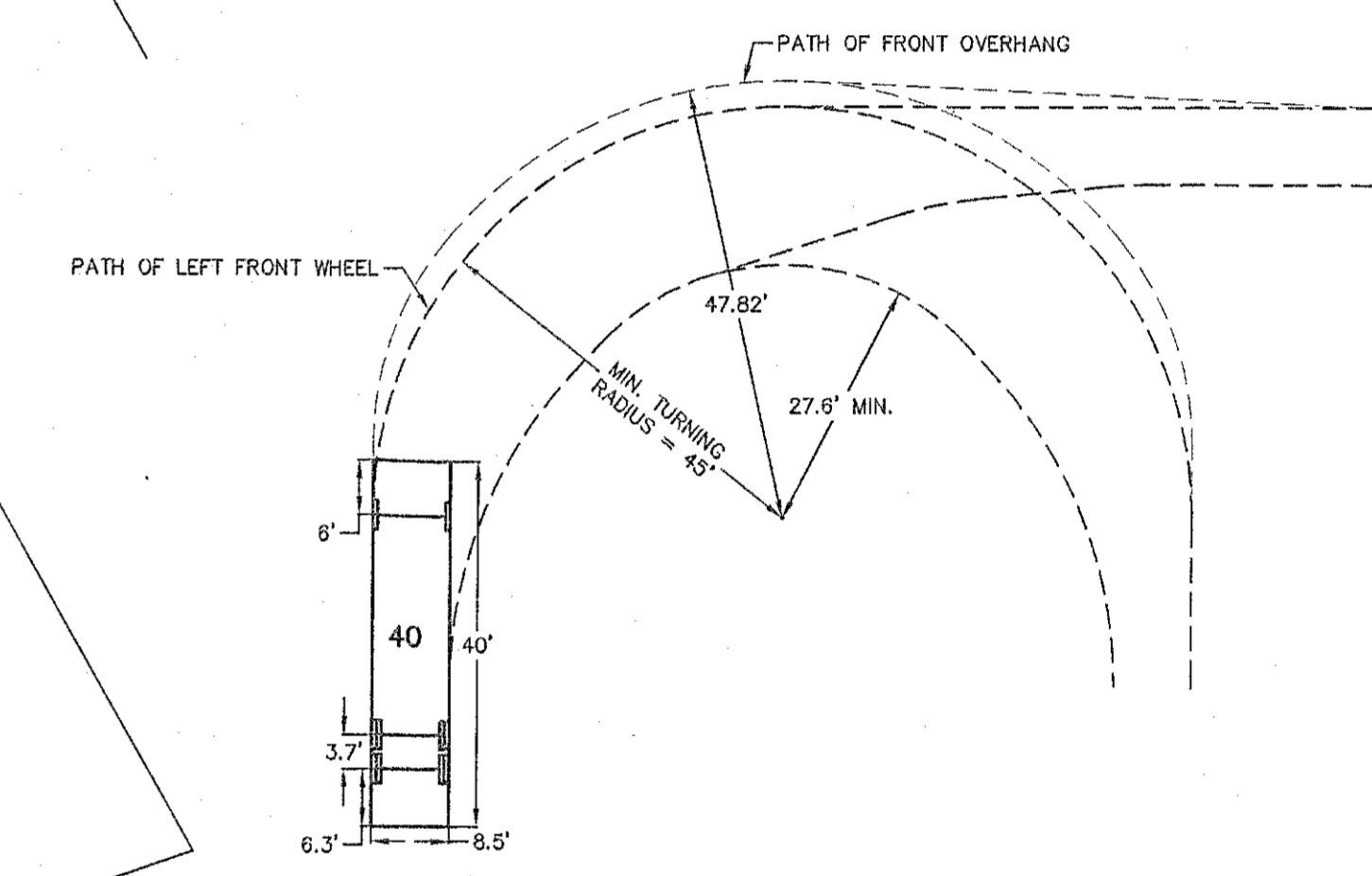


PARKING SUMMARY
 PROPOSED SPACES: 79 (INCLUDING 4 ADA)



- LEGEND**
- EXISTING HYDRANT
 - PROPOSED HYDRANT
 - EXISTING UTILITY POLE
 - EXIST. SANITARY SEWER MANHOLE
 - EXIST. TYPE "B" INLET
 - EXIST. TYPE "E" INLET
 - EXIST. WATER VALVE
 - PROP. A.D.A. PARKING SIGN
 - PROP. SIGN: "NO PARKING FIRE ZONE"



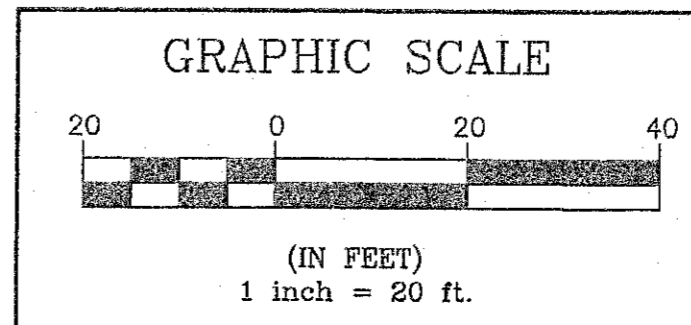
MINIMUM TURNING PATH FOR 40' VEHICLE (BUS 40)
 SOURCE: AASHTO, 2004
 1" = 20'

REVISIONS

NO.	DATE	DESCRIPTION
2	01/04/16	AS PER FIRE OFFICIAL COMMENTS
1	12/28/15	SU TRUCK TEMPLATE AASHTO 2004

TRUCK TURNING PLAN

SITE PLAN
 prepared for THE MARTIN GROUP
 of
 LOT 17 BLOCK 121 TAX MAP SHEET 29
 situate in
 MATAWAN BOROUGH, MONMOUTH COUNTY, NEW JERSEY
 Scale: 1" = 20'



RICHARD KARL HEUSER, P.E. & L.S.
 Professional Engineer & Land Surveyor
 N.J. Lic. No. 17776

Richard K. Heuser
 Date: Dec. 8, 2015

RICHARD K. HEUSER, P.C.
 - Land Surveying -
 - Engineering -
 - Planning -
 307 Main Street
 Matawan, N.J. 07747
 732-566-0850
 FILE 8373 DWG 8373TURN2