

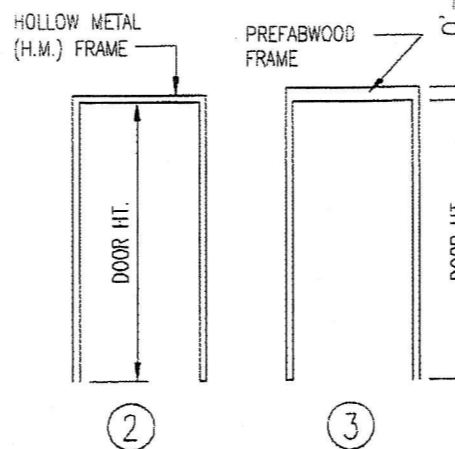
DR #	SIZE	JAMB	HEAD	DOOR	HDWE	FRAME	COMMENTS
1	6'-0" x 7'-0"	5	6	4	1	ALUM	4" HEAD W 32" SIDELITE
2	NOT USED						
3	3'-0" x 7'-0"	2	1	2	4	WD	
4	3'-0" x 7'-0"	2	1	2	4	WD	
5	3'-0" x 7'-0"	2	1	2	3	WD	
6	3'-0" x 7'-0"	2	1	2	5	WD	
7	3'-0" x 7'-0"	2	1	2	5	WD	
8	3'-0" x 7'-0"	2	1	2	5	WD	
9	3'-0" x 7'-0"	3	4	3	4	MTL	
10	3'-0" x 7'-0"	3	4	3	4	MTL	
11	6'-0" x 6'-8"	2 (sim)	1 (sim)	2		WD	BI-FOLD HARDWARE
12	6'-0" x 6'-8"	2 (sim)	1 (sim)	2		WD	BI-FOLD HARDWARE
13	3'-0" x 7'-0"	2	1	2	3	WD	
14	3'-0" x 7'-0"	2	1	2	5	WD	
15	3'-0" x 7'-0"	2	1	2	5	WD	3/4 HR RATING
16	3'-0" x 7'-0"	2	1	2	5	WD	
17	3'-0" x 7'-0"	3	4	3	3	MTL	ADA NAMEPLATE AS REQ'D
18	3'-0" x 7'-0"	3	4	3	5	MTL	NAMEPLATE AS REQ'D
19	3'-0" x 7'-0"	3	4	3	2	MTL	NAMEPLATE AS REQ'D
20	3'-0" x 7'-0"	3	4	3	3	MTL	NAMEPLATE AS REQ'D
21	3'-0" x 7'-0"	3	4	2	2	WD	
22	3'-0" x 7'-0"	3	4	3	4	MTL	3/4 HR RATING
23	NOT USED						
24	3'-0" x 7'-0"	11	10	3	1	MTL	
25	12'-0" x 14'-0"	9	7	1	-		VERTICAL TRACK & OPENER
26	12'-0" x 14'-0"	9	7	1	-		VERTICAL TRACK & OPENER
27	12'-0" x 14'-0"	9	7	1	-		VERTICAL TRACK & OPENER
28	3'-0" x 7'-0"	11	10	3	1	MTL	
29	12'-0" x 14'-0"	9	7	1	-		VERTICAL TRACK & OPENER
30	12'-0" x 14'-0"	9	7	1	-		VERTICAL TRACK & OPENER
31	12'-0" x 14'-0"	9	7	1	-		VERTICAL TRACK & OPENER
32	3'-0" x 7'-0"	11	10	3	1	MTL	BUZZER
33							
34							
35							
36							
37							

NOTE: OVERHEAD DOOR TRACK TO RUN VERTICAL AS MUCH AS ALLOWED BY WALL.
 ROLL TRACK PARALLEL TO ROOF SLOPE.
 ALL EXIT DOORS WILL BE READILY OPENABLE FROM EGRESS SIDE WITHOUT SPECIAL KNOWLEDGE OR KEY.
 SIDELIGHTS WITHIN 24" OF DOOR JAMBS SHALL HAVE SAFETY GLASS.

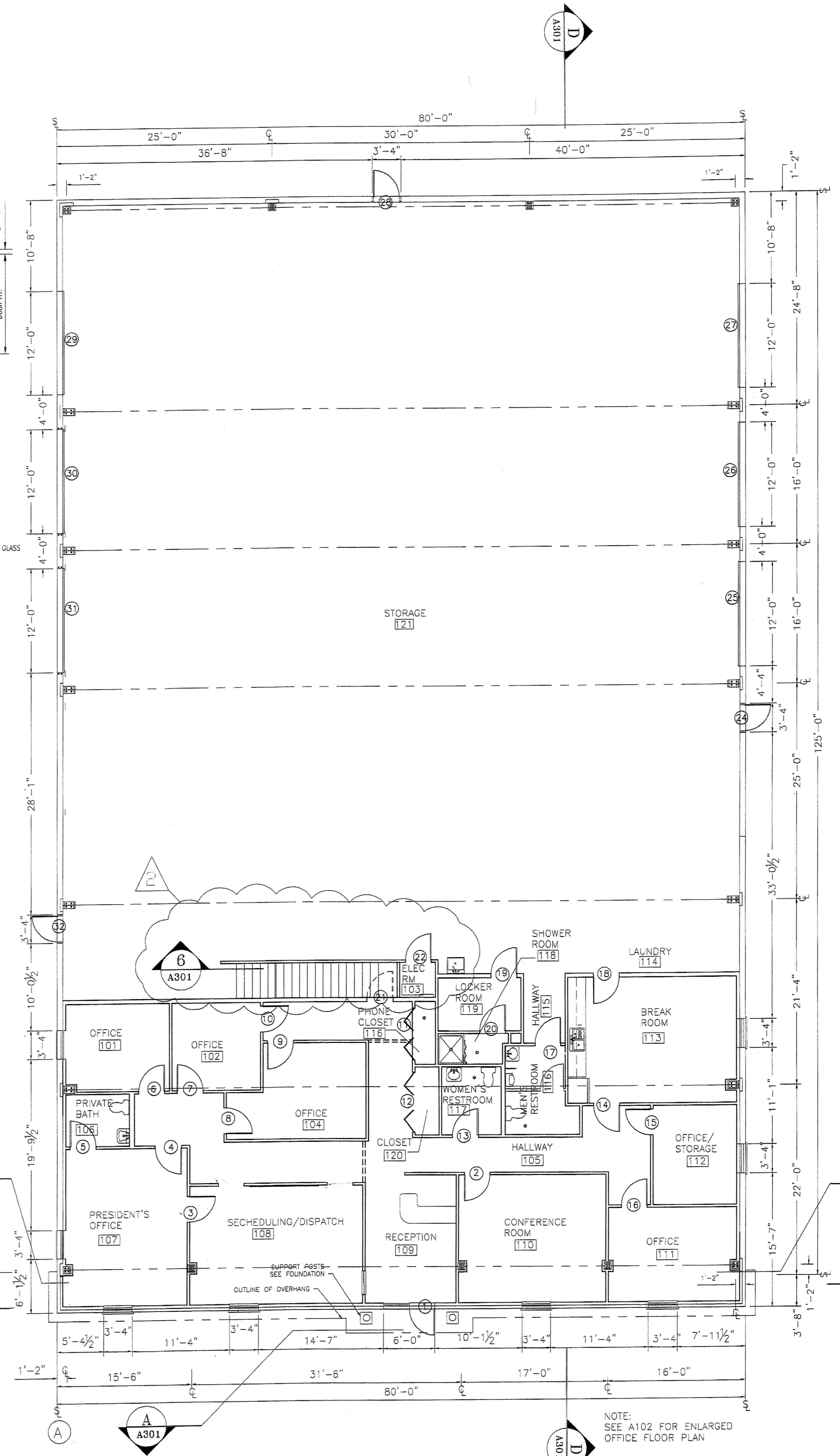
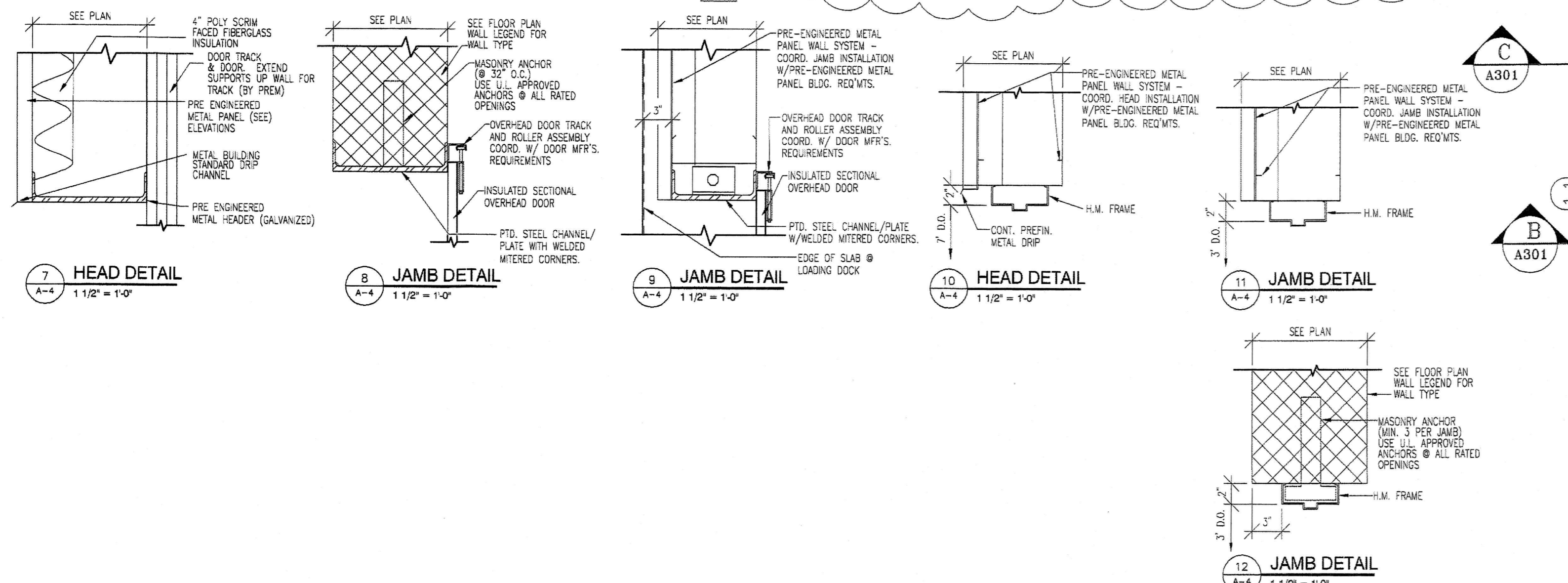
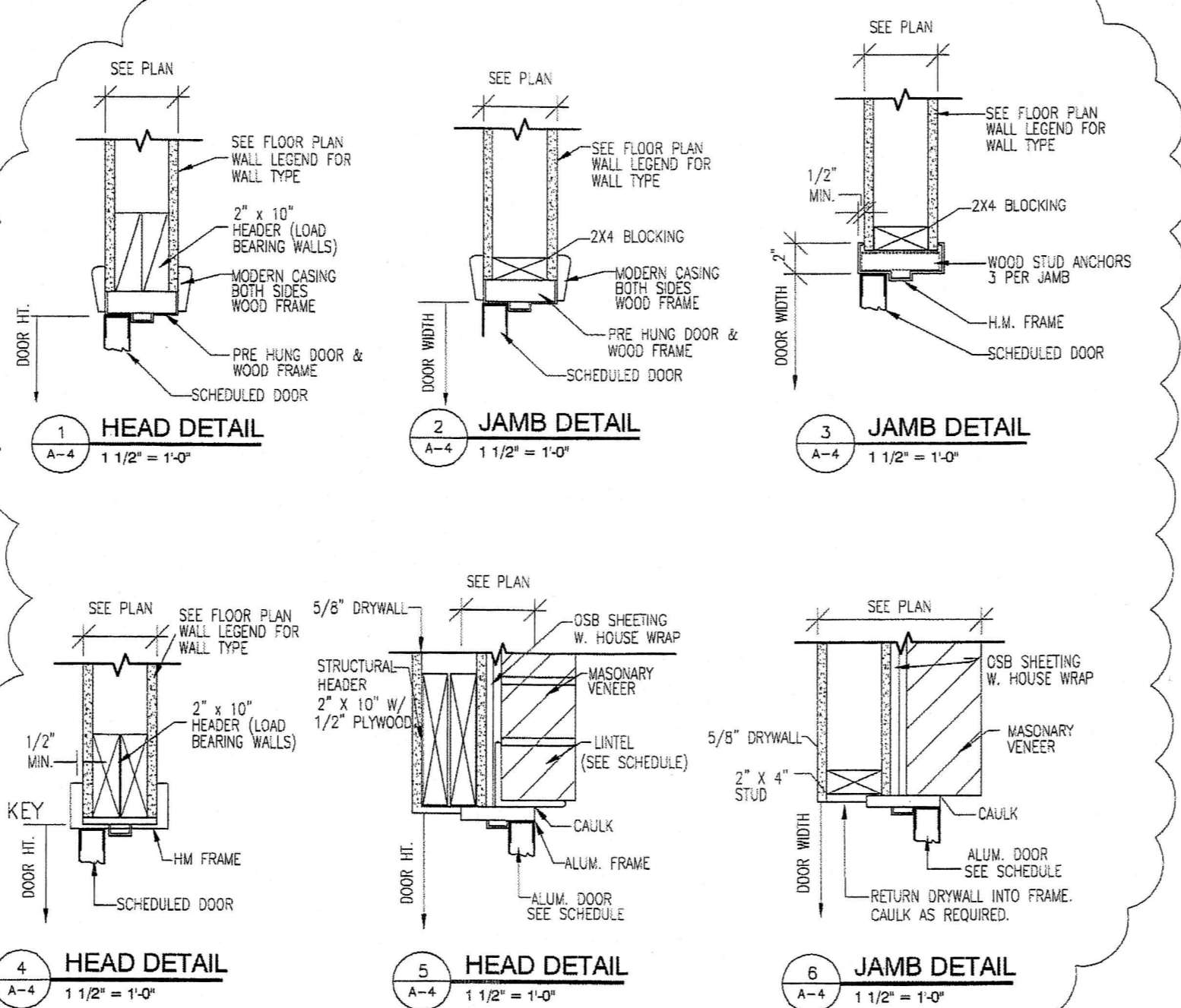
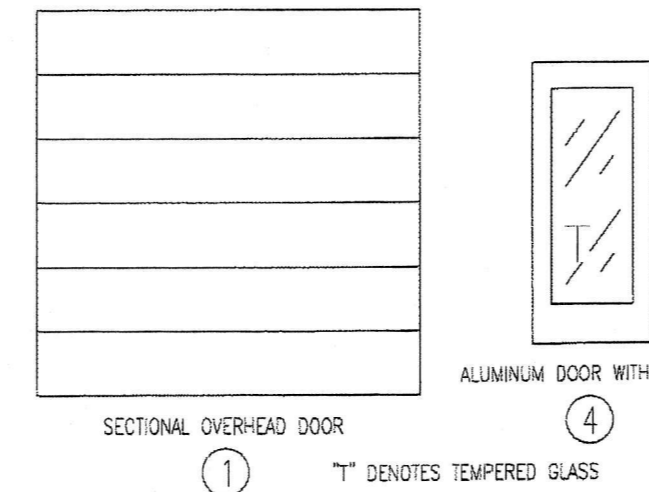
HARDWARE LEGEND

- SET #1
 1 1/2 PAIR NRP BB HINGES
 THRESHOLD
 WEATHERSEAL
 CLOSER
 LOCKSET (KEY AS REQ'D FROM OUTSIDE ONLY!)
 LATCH GUARD
- SET #2
 1 1/2 PAIR BB HINGES
 CLOSER
 PUSH/PULL
- SET #3
 1 1/2 PAIR BB HINGES (SPRING LOADED)
 PRIVACY LOCKSET
 MALE/FEMALE NAMEPLATE AS NEEDED (ADA ACCESSIBLE)
- SET #4
 1 1/2 PAIR BB HINGES
 KEYED LOCKSET
- SET #5
 1 1/2 PAIR BB HINGES
 PASSAGE LOCKSET

FRAME TYPES:



DOOR TYPES:



NOTE: SEE A102 FOR ENLARGED OFFICE FLOOR PLAN

FLOOR PLAN
 SCALE: 1/8" = 1'-0"

RS
 901 RAILROAD
 GRAFTON, OHIO 44044
 440.926.1600

THESE DOCUMENTS ARE NOT TO BE REPRODUCED OR COPIED WITHOUT THE WRITTEN PERMISSION OF THE AUTHOR.
 THIS DRAWING MUST NOT BE SCALED. THE GENERAL CONTRACTOR OR OWNER SHALL VERIFY ALL DIMENSIONS, DATUMS AND LEVELS PRIOR TO COMMENCEMENT OF WORK. ALL ERRORS AND OMISSIONS ARE TO BE REPORTED TO THE ARCHITECT/MANUFACTURER IMMEDIATELY. ANY VARIATIONS TO THE WORK SHOWN BECOMES THE FULL RESPONSIBILITY OF OWNER.

RICHARD A. FREDRICKSON
 E-61688
 REGISTERED PROFESSIONAL ENGINEER
 6-13-08

©2008 IDS Construction Solutions, LLC

PROPOSED NEW BUILDING FOR WEARSCH ENTERPRISES, LLC
 S/L 18 LEAR INDUSTRIAL PARKWAY
 AVON, OHIO

REVISION

02-10-08	OWNER CHANGE OFFICE LAYOUT
04-08-08	PERMIT
05-14-08	PERMIT REVISIONS
06-09-08	PERMIT REVISIONS

PROJECT NO: 27011-1
 SHEET DESC: FLOOR PLAN & DOOR SCHEDULE
 REVIEWED BY: RF

JANUARY 31, 2008

SHEET NO:

A101