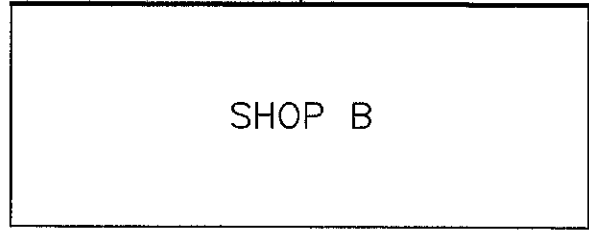
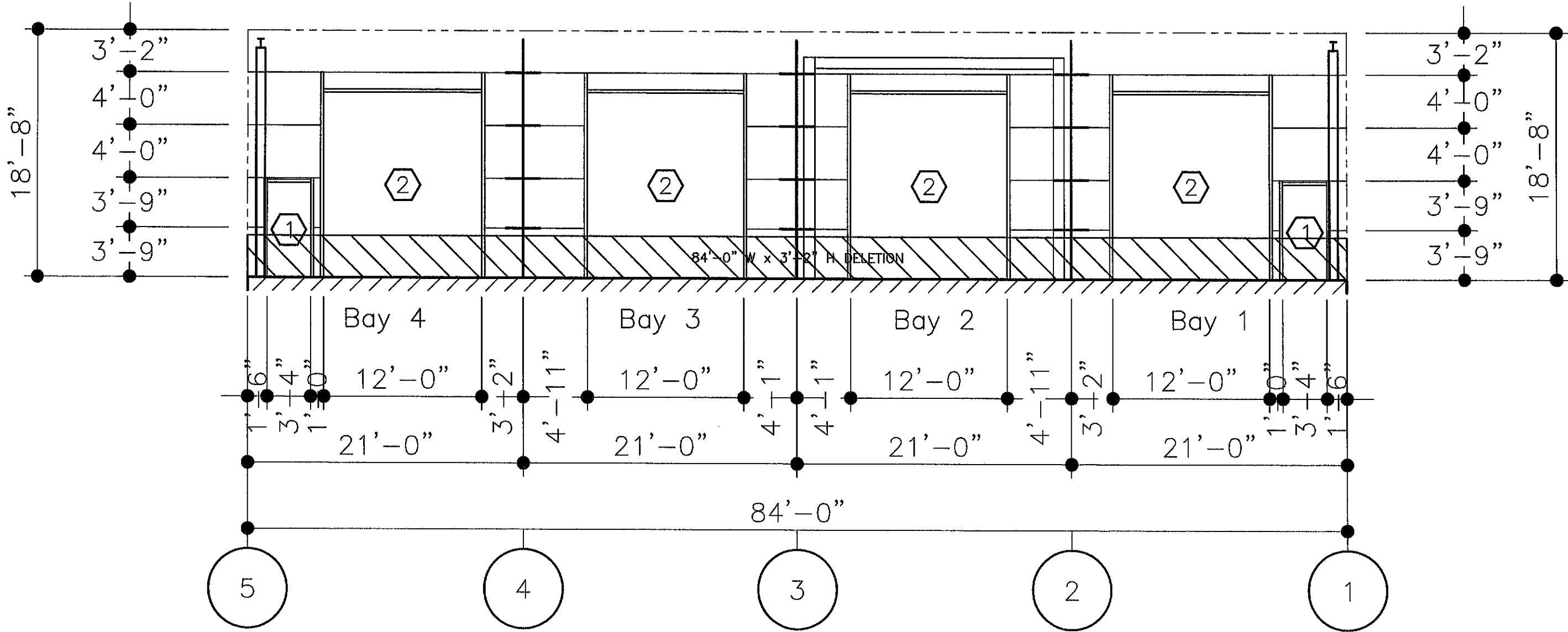


NET PLAN



FRAMED OPENING SCHEDULE

ID	QTY	WIDTH	HEIGHT	SILL HEIGHT	LOCATED
1	2	3'-4"	7'-2"	0'-0"	FACTORY
2	4	12'-0"	14'-0"	0'-0"	FACTORY



ELEVATION AT LINE A



PROJECT NAME:
WASHOUGAL SHOP B

WASHOUGAL, WA

CUSTOMER NAME:

TERRY WELLNER

LAKE OSWEGO, OR

DO NOT USE FOR FINAL CONSTRUCTION

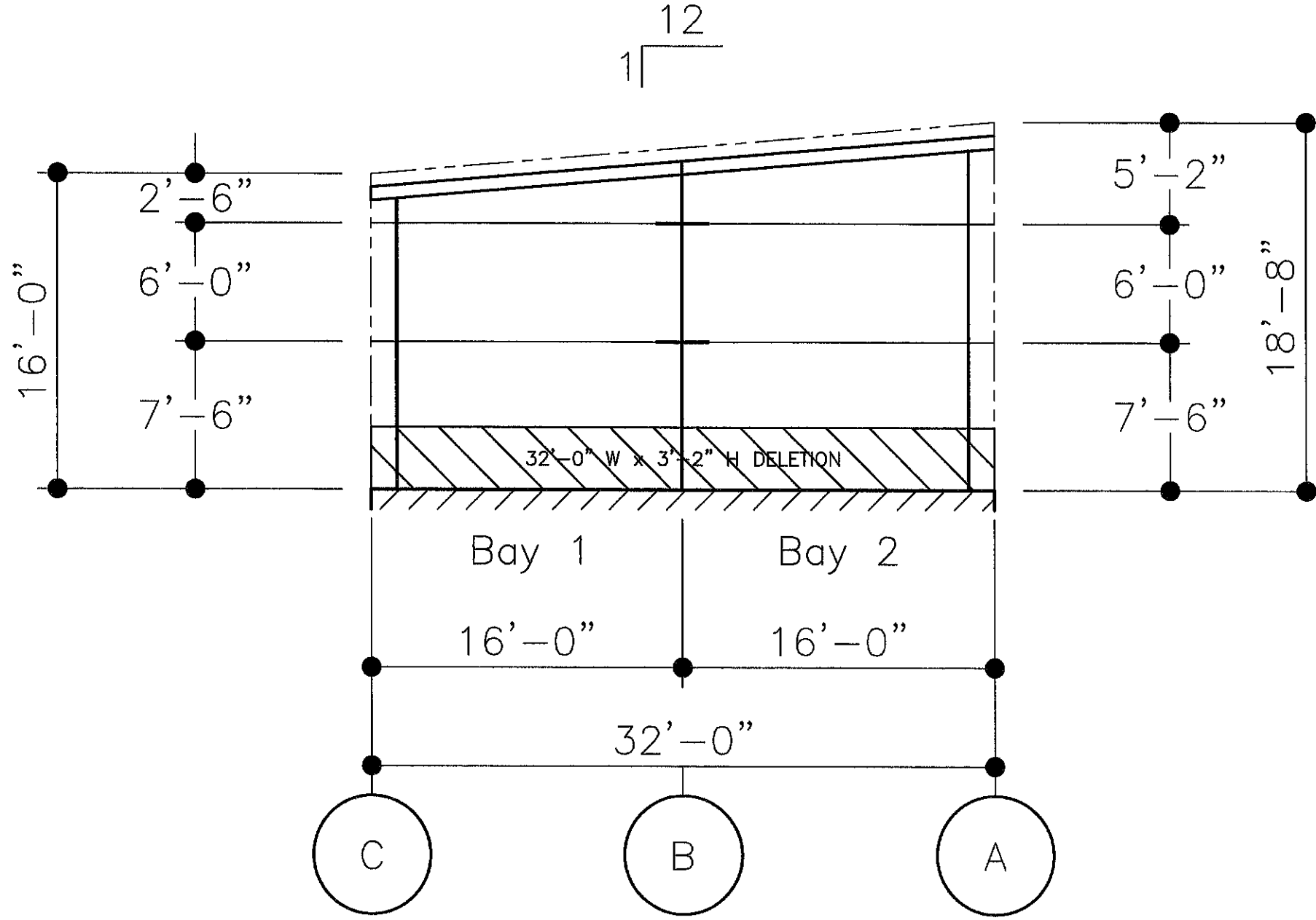
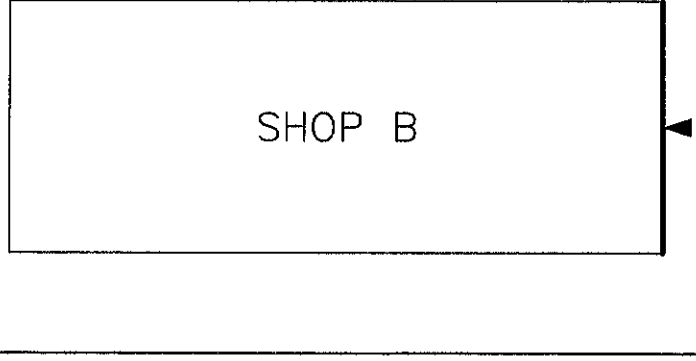
SET TITLE: RELIMINARY STRUCTURAL ELEVATIONS

DATE: 3/4/2026 5:33 PM

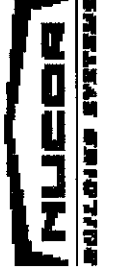
SET NUMBER: ST8

QUOTE NUMBER: U1H-26039

KEY PLAN



ELEVATION AT LINE 5



PROJECT NAME:
WASHOUGAL SHOP B

WASHOUGAL, WA

CUSTOMER NAME:

TERRY WELLNER

LAKE OSWEGO, OR

DO NOT USE FOR FINAL CONSTRUCTION

SET TITLE: 3/4/2026 5:32 PM

RELIMINARY STRUCTURAL ELEVATIONS

SET NUMBER: QUOTE NUMBER:

ST7 U1H-26039