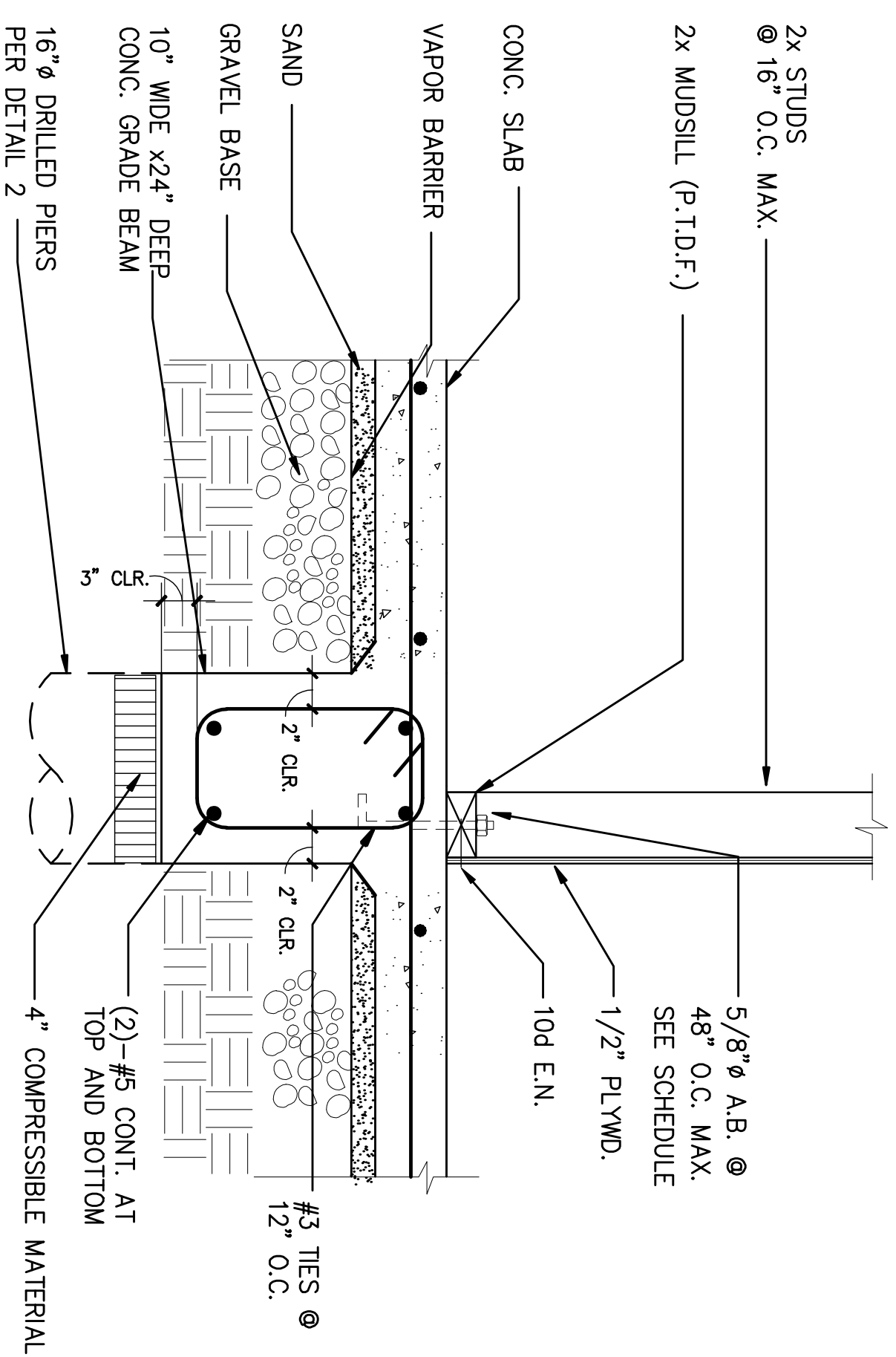
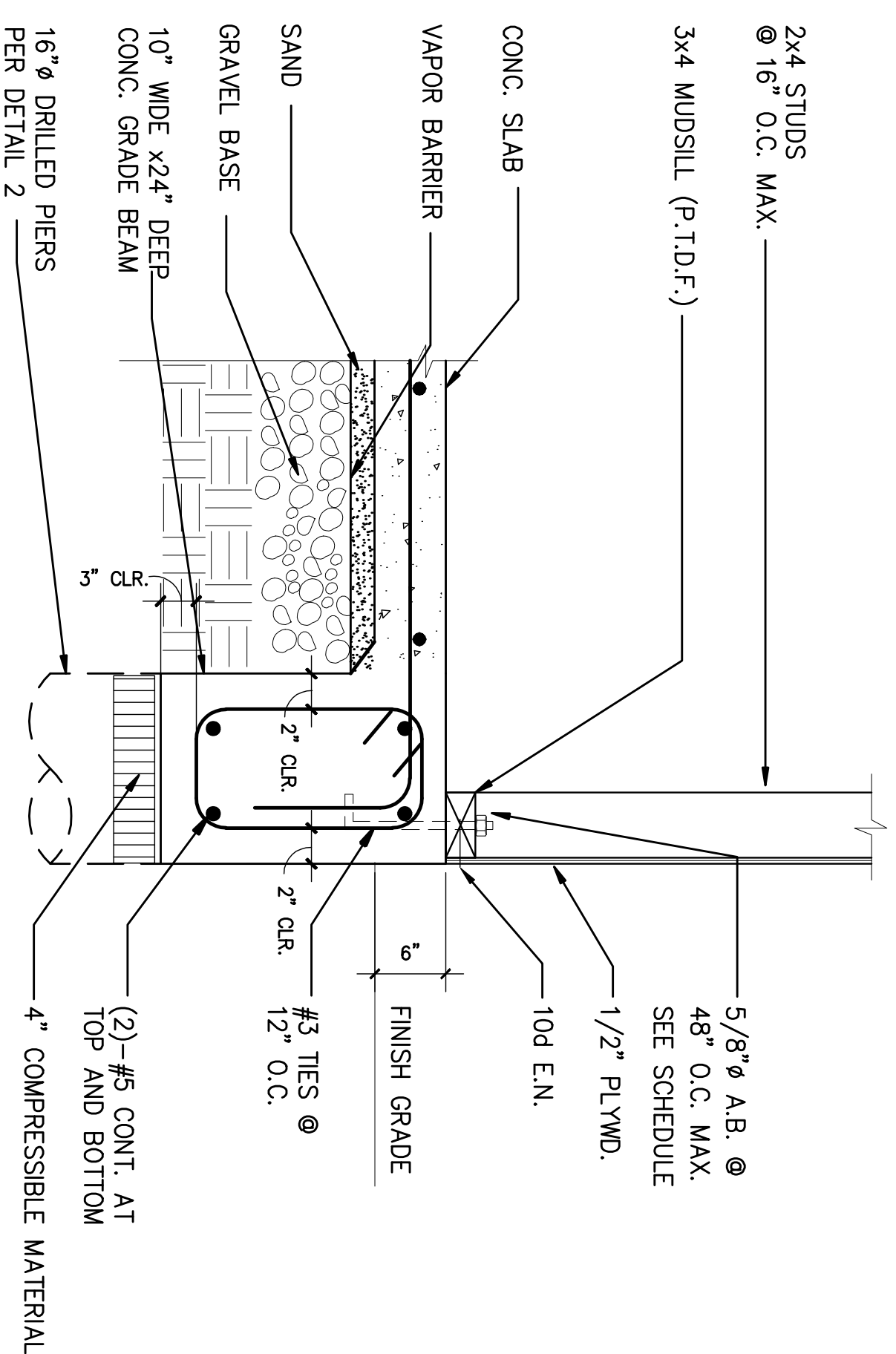


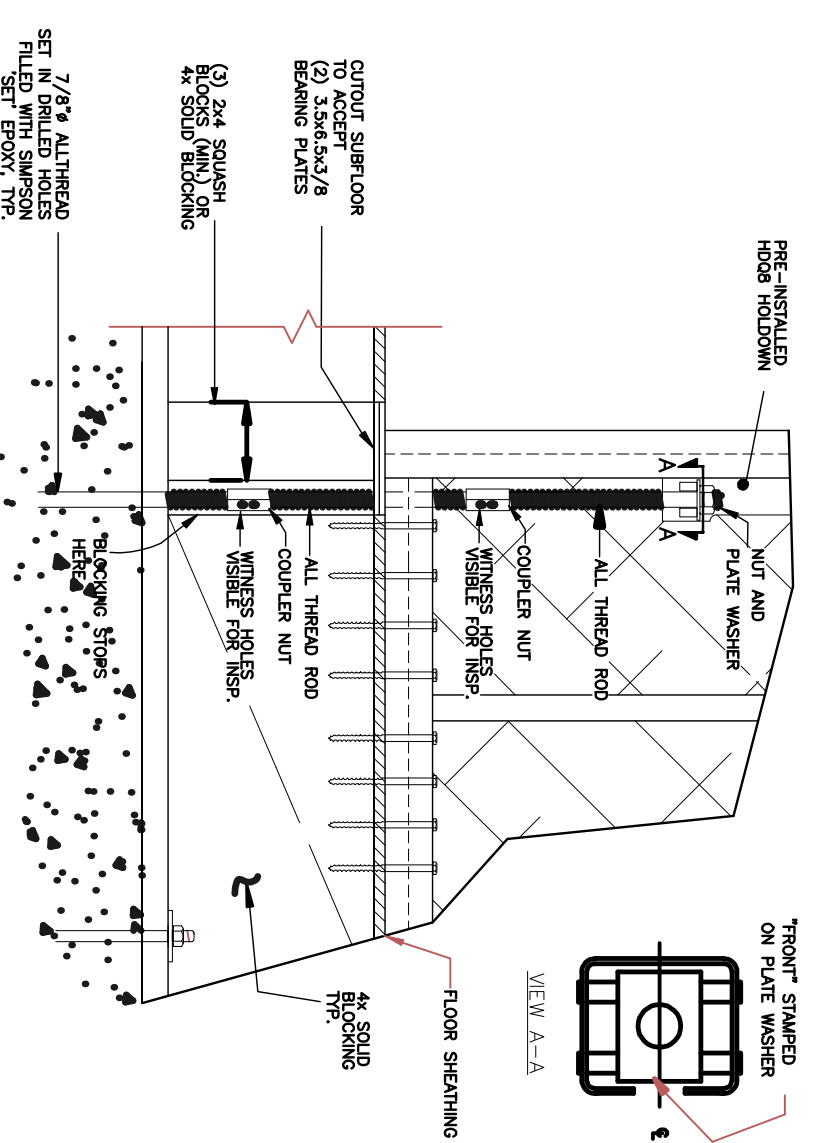
1 STRONG WALL TOP PLATE SHEAR TRANSFER
S5 NOT TO SCALE



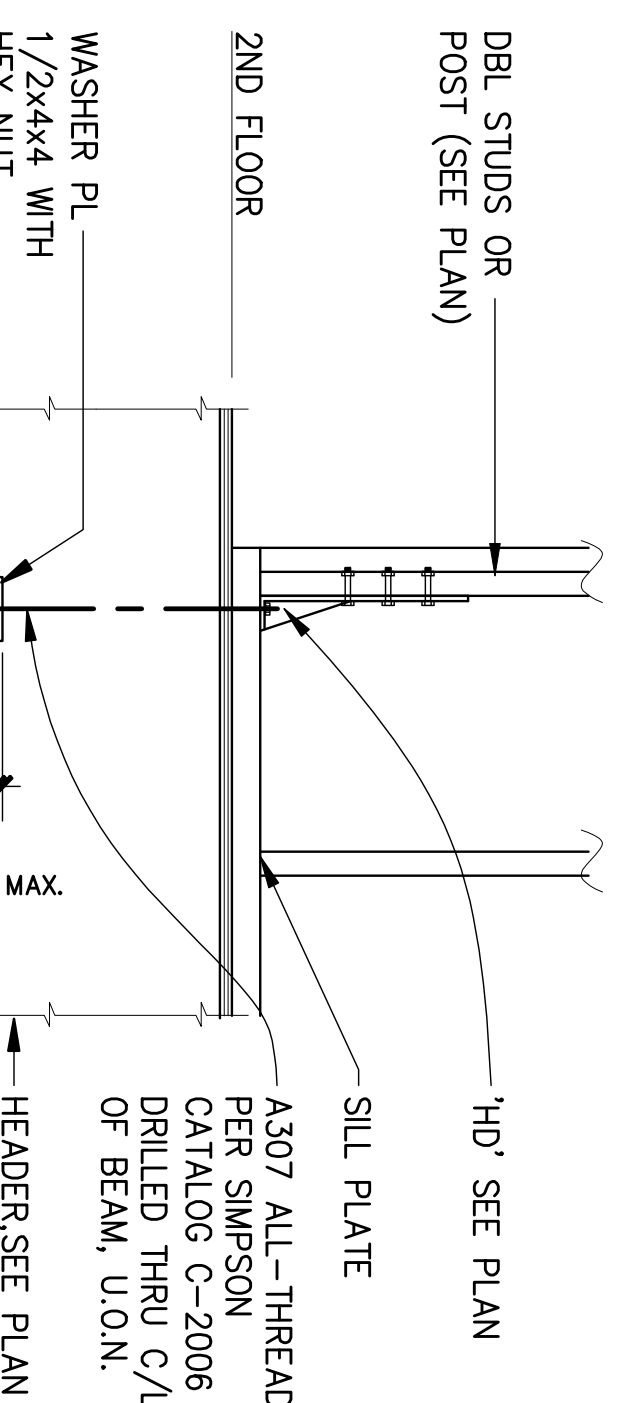
6 INTERIOR WALL-GRADE BEAM DETAIL
S5 NOT TO SCALE



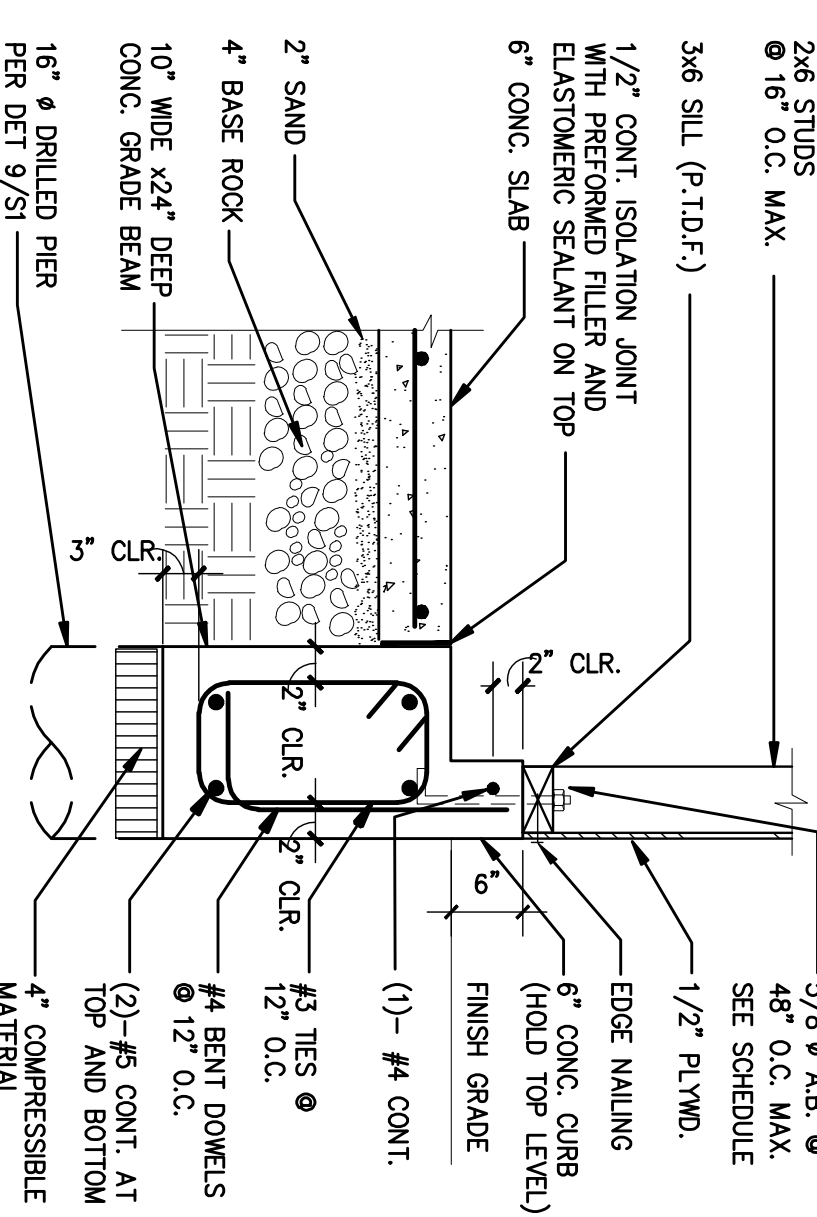
3 EXTERIOR WALL-GRADE BEAM DETAIL
S5 NOT TO SCALE



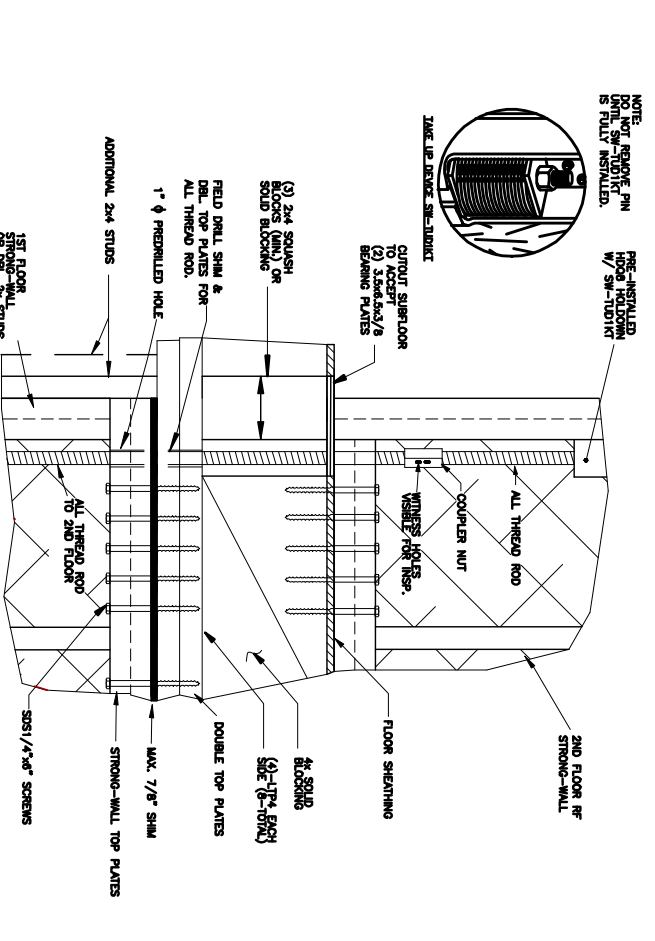
9 STRONG WALL OVER GRADE BEAM
S5 NOT TO SCALE



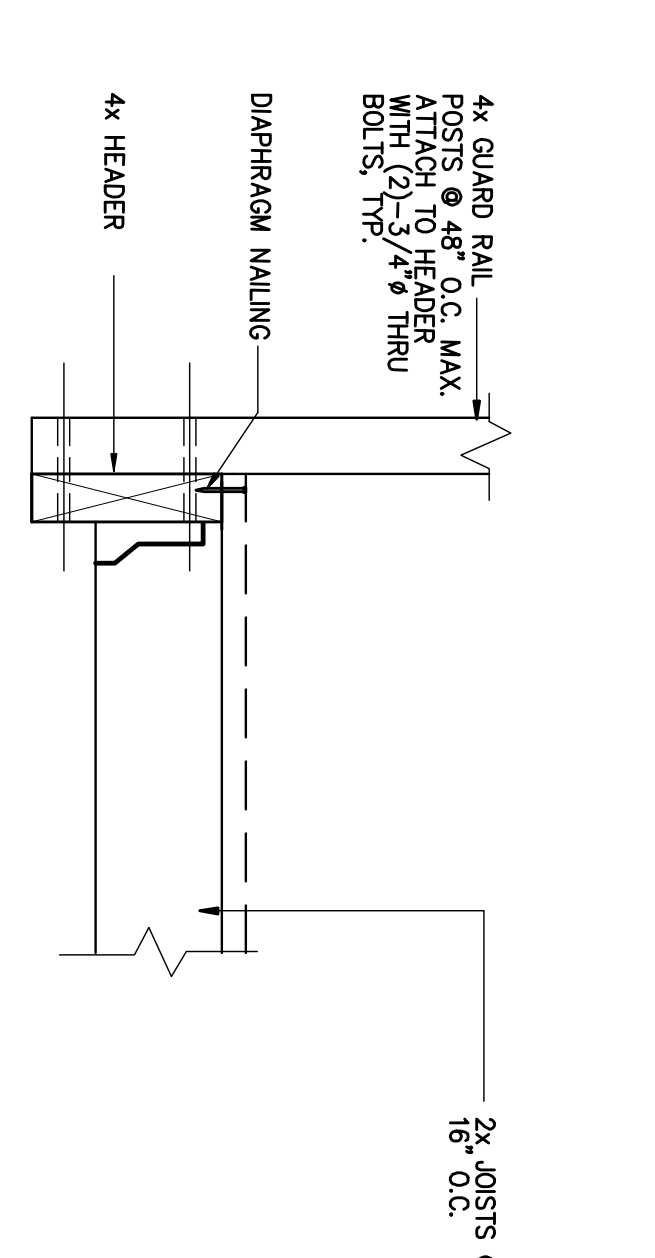
7 TYPICAL HOLDDOWN OVER HEADER
S5 NOT TO SCALE



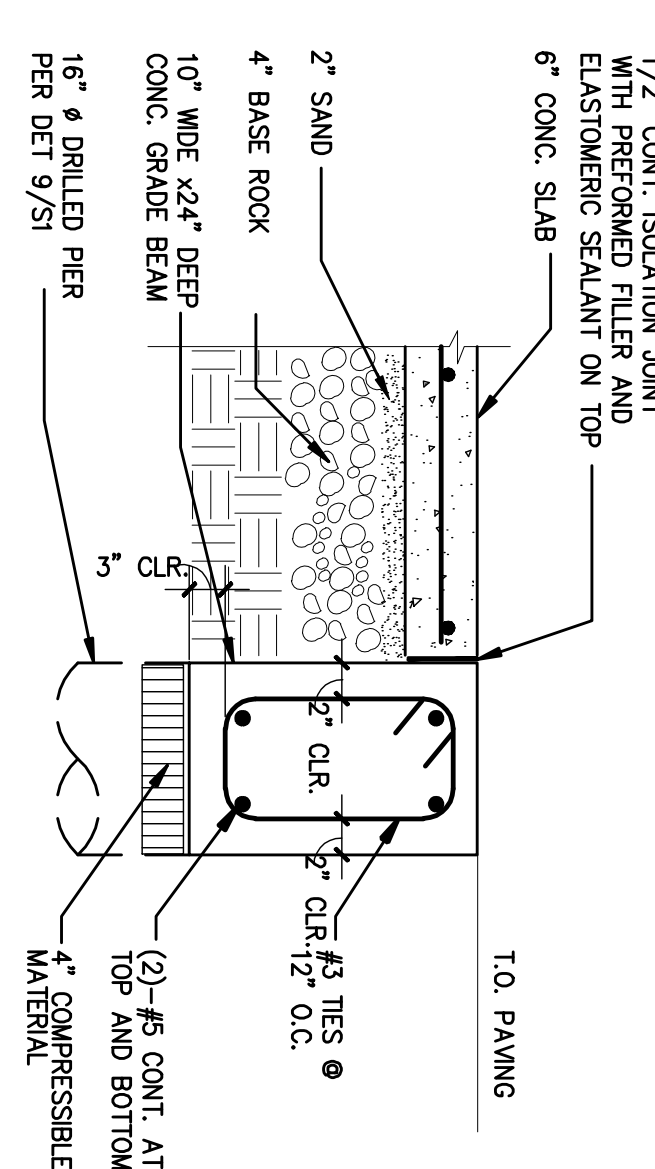
4 EXTERIOR WALL-GRADE BEAM DETAIL
S5 NOT TO SCALE



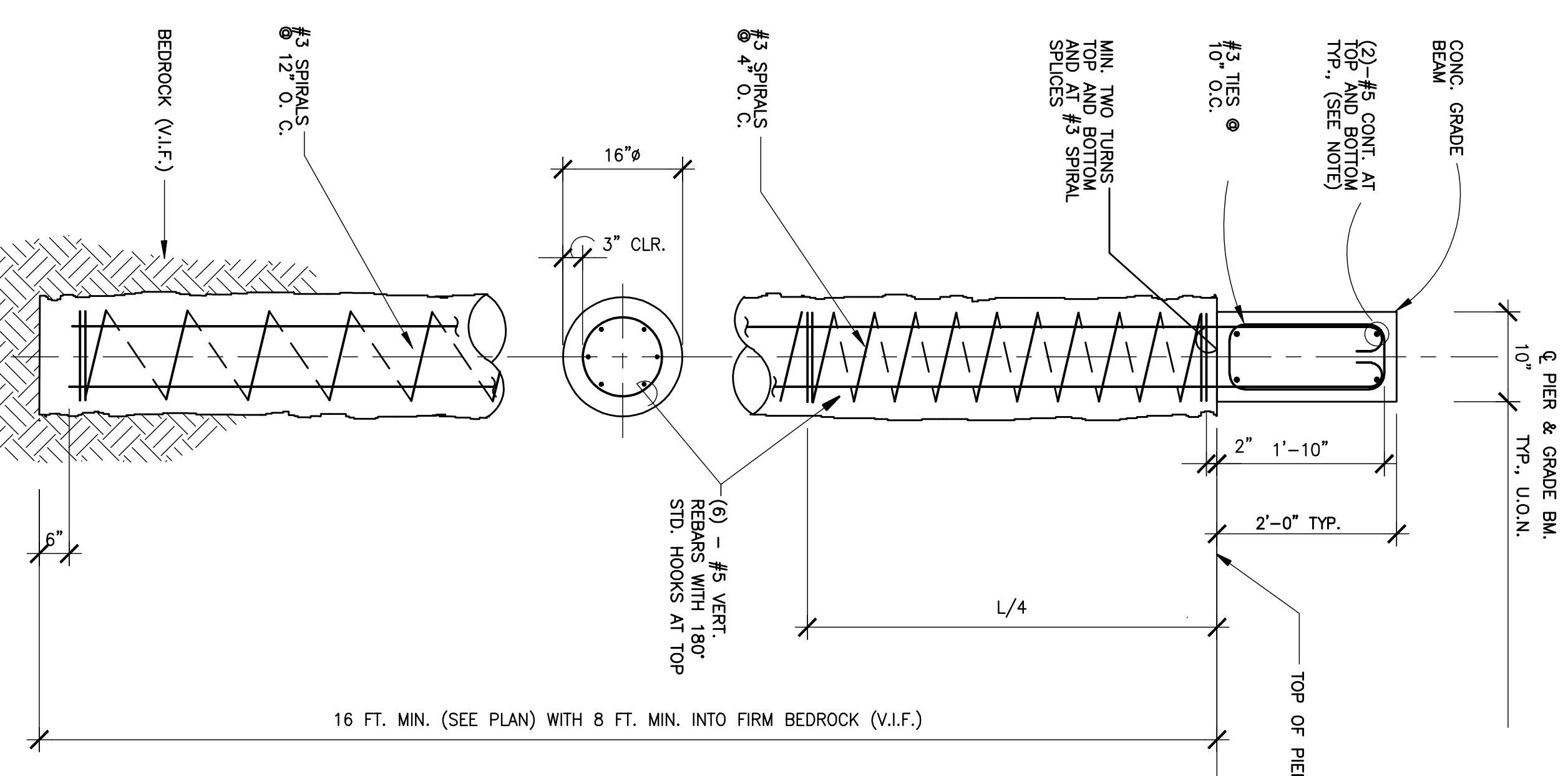
10 STRONG WALL AT SECOND FLOOR
S5 NOT TO SCALE



8 FLOOR JOISTS AT BALCONY
S5 NOT TO SCALE



5 EXTERIOR WALL-GRADE BEAM DETAIL
S5 NOT TO SCALE



2 TYP DRILLED PIER AND GRADE BEAM DETAIL
S5 NOT TO SCALE

NO.	REVISION	DATE	BY
1			
2			
3			
4			
5			
6			
7			
8			
9			
10			

ENGINEER

THE DESIGN & INFORMATION SHOWN HEREIN IS THE PROPERTY OF AS CANET DESIGN GROUP. IT IS CONFIDENTIAL AND NOT BE LOANED, REPRODUCED, COPIED, OR IN ANY MANNER DISCLOSED TO ANY OTHER PARTY WITHOUT THE WRITTEN PERMISSION OF AS CANET DESIGN GROUP.

AS CANET DESIGN GROUP
8900 THORNTON RD. STE. 6
STOCKTON, CA 95209 (209) 598-6801

OWNER / AGENT
PROJECT MANAGER
DESIGNER

PROPOSED NEW HOME FOR
A & Y HERNANDEZ RESIDENCE
LUPINE LANE, SANTA CRUZ, CA 95065
SANTA CRUZ, CALIFORNIA
APN-025-013-46

Sheet Contents
STRUCTURAL DETAILS

DATE: 10-14-19
DESIGNER: ASC
DRAWN: ASC
CHECKED: [Signature]
Sheet Number
S5