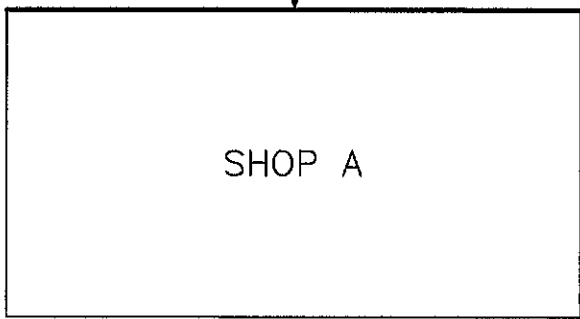


PROJECT NAME:
WASHOUGAL SHOP A
WASHOUGAL, WA
CUSTOMER NAME:
TERRY WELLNER
LAKE GROVE, OR

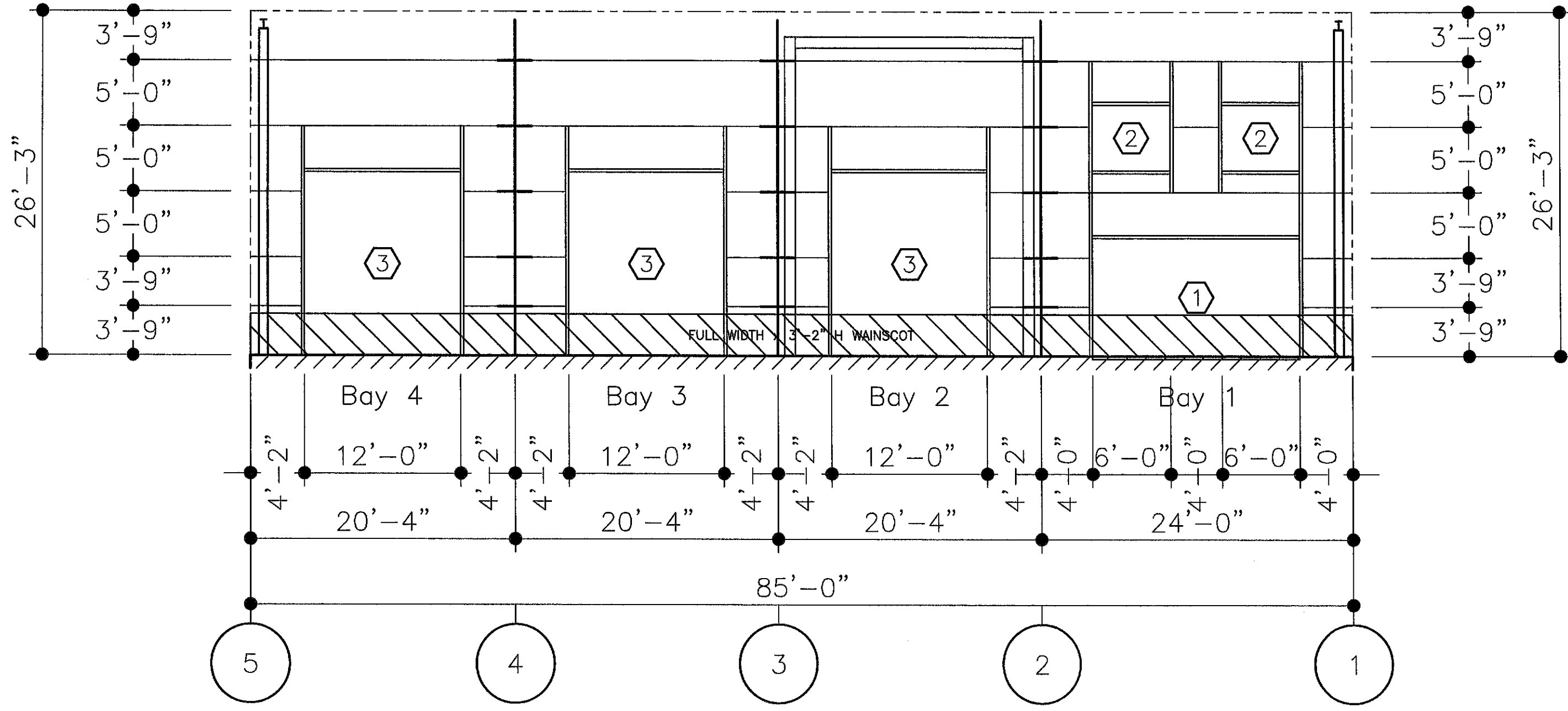
DO NOT USE FOR FINAL CONSTRUCTION
 SET TITLE:
RELIMINARY FLOOR PLAN
 SET NUMBER:
FP1
 DATE:
3/4/2026 5:35 PM
 QUOTE NUMBER:
U1H-26041

NET PLAN



FRAMED OPENING SCHEDULE

ID	QTY	WIDTH	HEIGHT	SILL HEIGHT	LOCATED
1	1	16'-0"	9'-0"	0'-0"	FACTORY
2	2	6'-0"	5'-0"	14'-2"	FACTORY
3	3	12'-0"	14'-0"	0'-0"	FACTORY



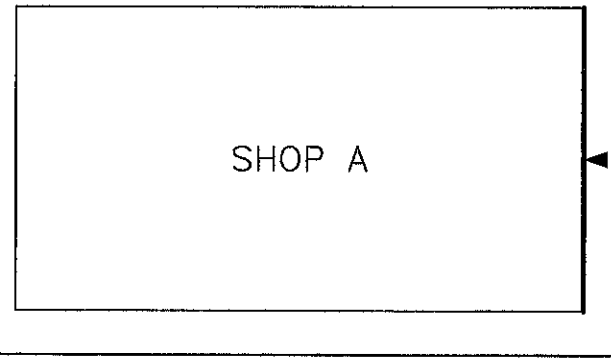
ELEVATION AT LINE A



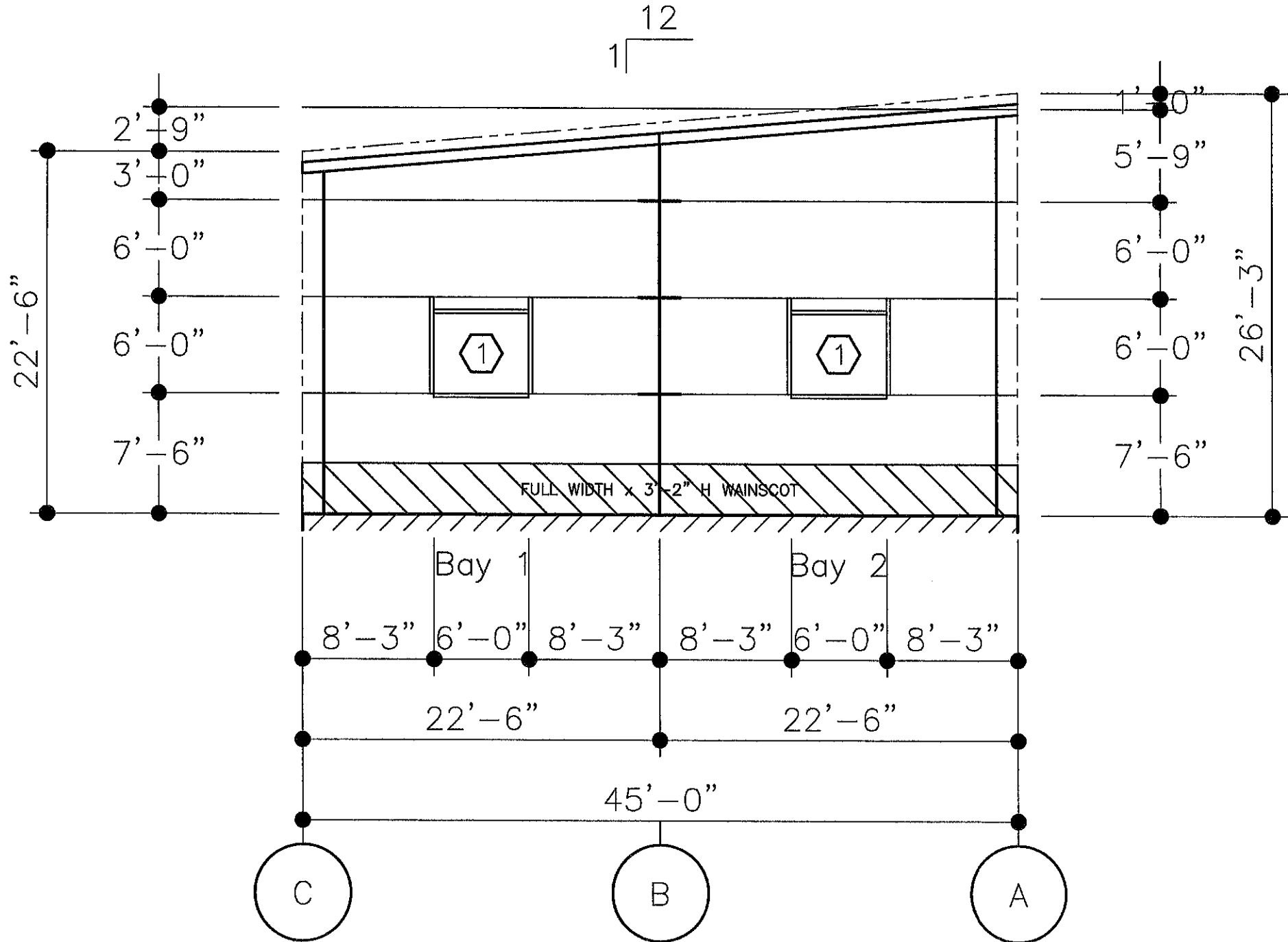
PROJECT NAME:
WASHOUGAL SHOP A2
 WASHOUGAL, WA
 CUSTOMER NAME:
TERRY WELLNER
 LAKE GROVE, OR

DO NOT USE FOR FINAL CONSTRUCTION
 SET TITLE:
RELIMINARY STRUCTURAL ELEVATIONS
 SET NUMBER:
U1H-26041
 DATE:
 3/4/2026 5:54 PM
 QUOTE NUMBER:
ST8

NET PLAN



FRAMED OPENING SCHEDULE					
(D)	QTY	WIDTH	HEIGHT	SILL HEIGHT	LOCATED
1	2	6'-0"	5'-0"	7'-6"	FACTORY



ELEVATION AT LINE 5

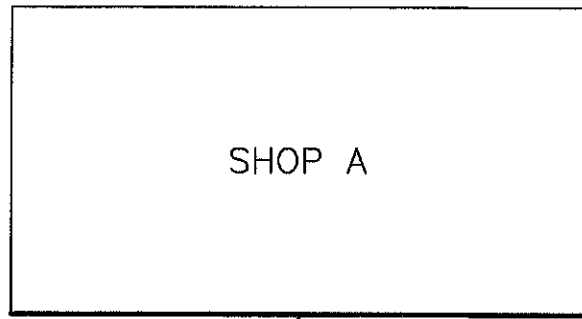


PROJECT NAME:
WASHOUGAL SHOP A2
 WASHOUGAL, WA
 CUSTOMER NAME:
TERRY WELLNER
 LAKE GROVE, OR

DO NOT USE FOR FINAL CONSTRUCTION
 SET TITLE:
RELIMINARY STRUCTURAL ELEVATIONS
 SET NUMBER:
ST7

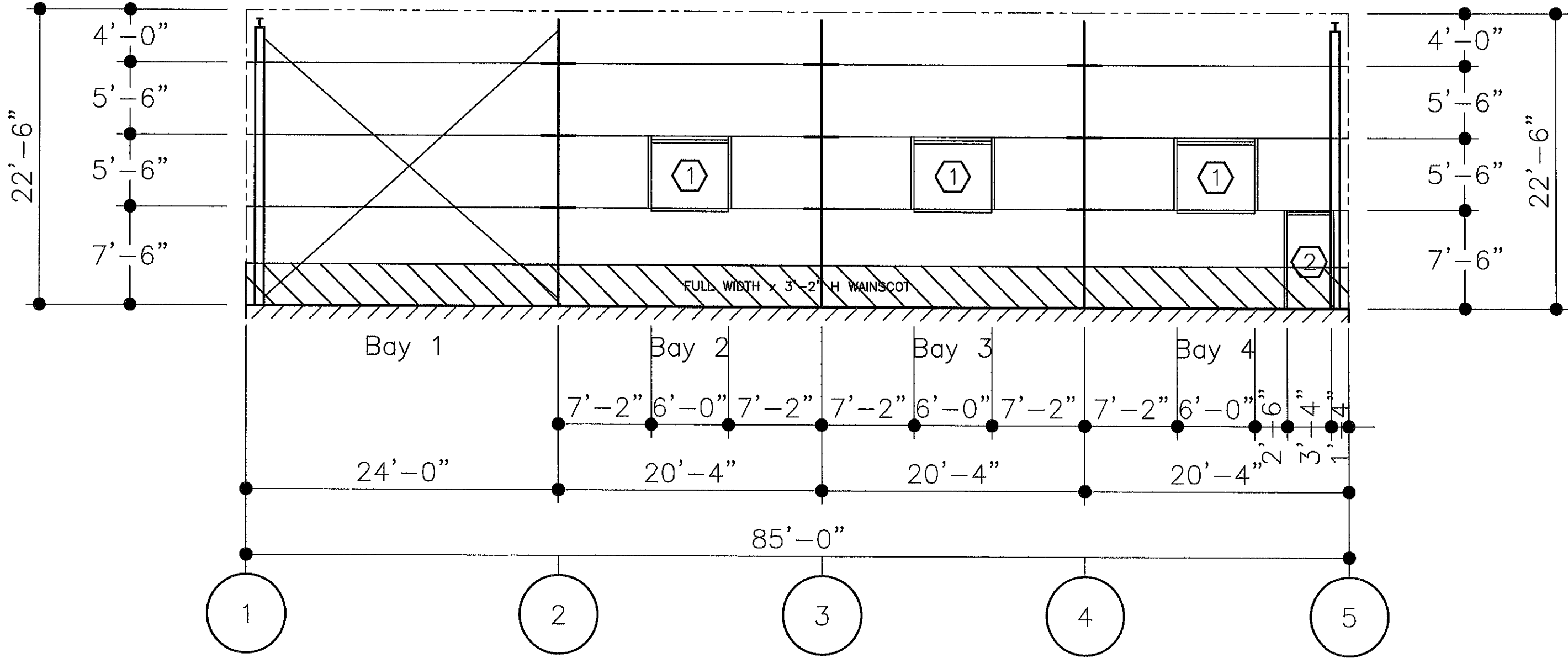
3/4/2026 5:54 PM
 QUOTE NUMBER:
U1H-26041

NET PLAN



FRAMED OPENING SCHEDULE

(D)	QTY	WIDTH	HEIGHT	SILL HEIGHT	LOCATED
1	3	6'-0"	5'-0"	7'-6"	FACTORY
2	1	3'-4"	7'-2"	0'-0"	



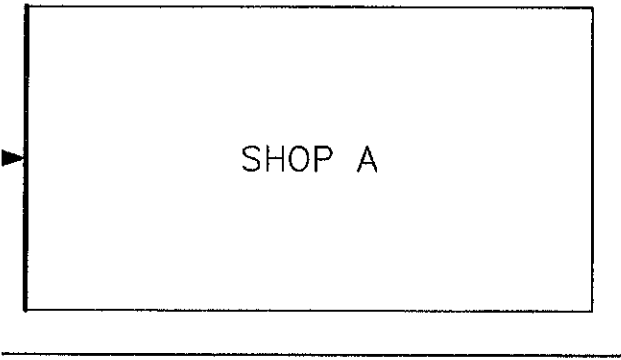
ELEVATION AT LINE C



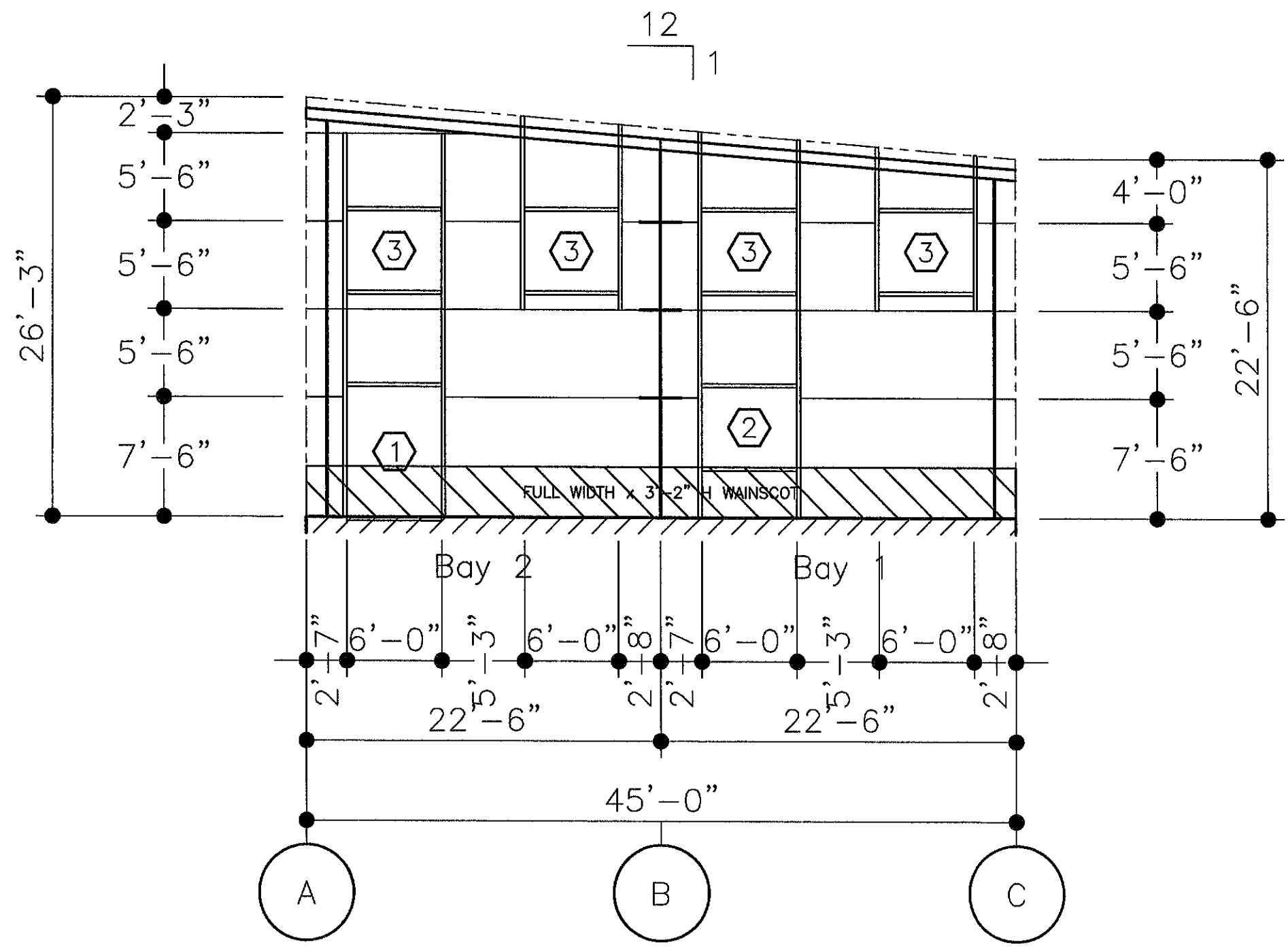
PROJECT NAME:
WASHOUGAL SHOP A2
 WASHOUGAL, WA
 CUSTOMER NAME:
TERRY WELLNER
 LAKE GROVE, OR

DO NOT USE FOR FINAL CONSTRUCTION
 SET TITLE:
RELIMINARY STRUCTURAL ELEVATIONS
 SET NUMBER:
ST6
 DATE:
 3/4/2026 5:53 PM
 QUOTE NUMBER:
U1H-26041

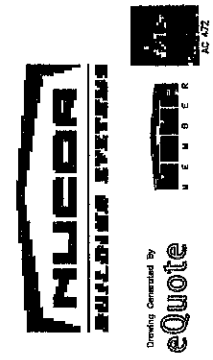
NET PLAN



(D)	QTY	WIDTH	HEIGHT	SILL HEIGHT	LOCATED
1	1	6'-0"	8'-2"	0'-0"	FACTORY
2	1	6'-0"	5'-0"	3'-2"	FACTORY
3	4	6'-0"	5'-0"	14'-2"	FACTORY



ELEVATION AT LINE 1



PROJECT NAME:
WASHOUGAL SHOP A2
 WASHOUGAL, WA
 CUSTOMER NAME:
TERRY WELLNER
 LAKE GROVE, OR

DO NOT USE FOR FINAL CONSTRUCTION
 SET TITLE:
RELIMINARY STRUCTURAL ELEVATIONS
 SET NUMBER:
ST5

3/4/2026 5:53 PM
 QUOTE NUMBER:
U1H-26041